

## General info

### Technical - Linear system

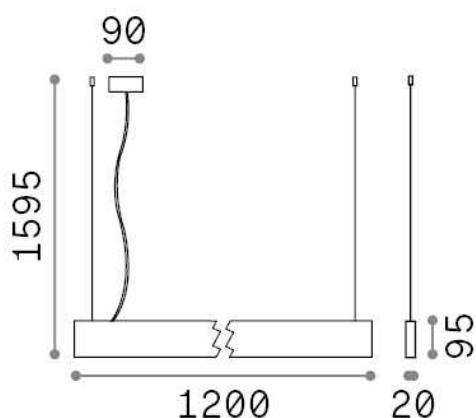
Indoor suspended dimmable linear fitting with integrated LED sources and direct/indirect light emission

<b>Ean</b>	8021696268217
<b>Item</b>	LINUS SP 4000K BK
<b>Installation</b>	Suspension
<b>Guarantee</b>	5 years
<b>Gross weight</b>	2.89 kg
<b>Volume</b>	0.01575 m <sup>3</sup>



## Technical info

<b>Net weight</b>	2.55 kg
<b>Insulation class</b>	I
<b>Protection index</b>	IP20
<b>Compliance</b>	CE
<b>Operating temperature</b>	0° ~ +40 °C
<b>Dimmer</b>	Dimmable, 1-10V
<b>Power output</b>	100-240 V AC 50/60 Hz
<b>Power supply</b>	In-built, included Replaceable (by qualified operators only), electronic
<b>Accessories not included</b>	Structure linear connector, Luminous corners



## Source info

<b>Integrated source</b>	Integrated LED module
<b>Repleaceable source</b>	No
<b>Power</b>	32 W
<b>Emission</b>	Direct + Indirect
<b>Max consuption</b>	max 32,00 W
<b>Features LED</b>	LED SMD
<b>CCT</b>	4000 K
<b>Duration LED (t. 25°C)</b>	50000 h
<b>CRI</b>	> 80
<b>SDCM</b>	3
<b>Light beam</b>	104+104°
<b>Light beam flux</b>	3600 lm
<b>Useful light flux</b>	3190 lm
<b>Standby power</b>	< 0.50 W