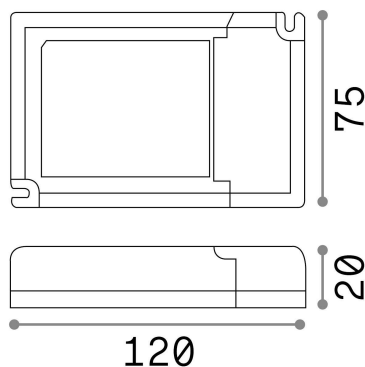


General info

Technical - Accessories

Indoor dimmable constant current driver



Ean	8021696266688
Item	OFF DRIVER 1-10V 42W 1050mA
Installation	Driver
Guarantee	5 years
Gross weight	0.22 kg
Volume	0.00025 m ³

Technical info

Net weight	0.13 kg
Insulation class	II
Protection index	IP20
Compliance	CE
Operating temperature	0° ~ +40 °C
Full load efficiency	0,91
Dimmer	Dimmable, 1-10V
Accessory type	Optional
Power output	220-240 V AC 50/60 Hz
Output Power output	max 1050 mA CC

Source info

Max consumption	max 42 W
Standby power	< 0.50 W
Empty power	Not Applicable