

- Dimming interface: 0-10V (1-10V/10VPWM/RX).
- Built-in SCM, automatic recognition of 0-10V, 1-10V input signal.
- T-PWM™ digital dimming.
- 0-100% flicker-free (IEEE 1789 standard).
- Innovative thermal management technology, intelligent power life protection.
- Dimming range: 0~100%, LED start at 0.01% possible.
- Over load / Short circuit / Over-heat protection, recover automatically.
- Class 2 power supply. Full protective plastic housing.
- Compliant with Safety Extra Low Voltage standard.
- Suitable for internal lights application for I / II/III.



T-PWM™
Super depth dimming technology

4 in 1 dimming

0-10V
1-10V
PWM
RX

Flicker-free
IEEE 1789

Dimmable:
■■■■■■■■■■
0.01~100%

Model: CC-10W
IS163865
(Part2/Sec13)

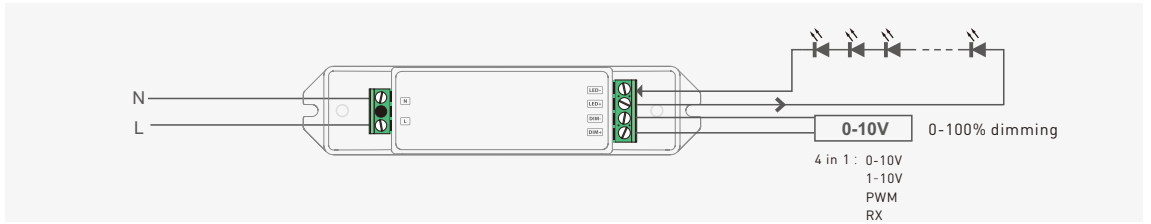
R-41129631



Specification

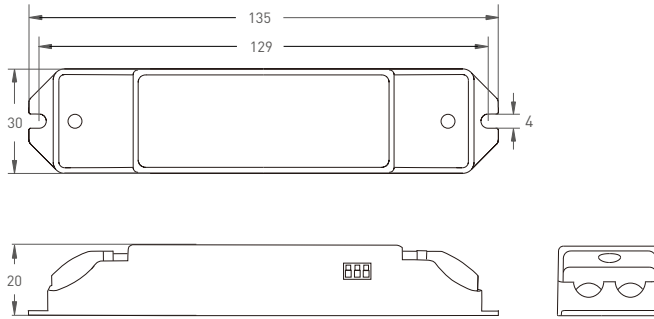
Model	AD-10-100-400-G1A	AD-10-350-700-G1A	
OUTPUT	Output Voltage	10-45Vdc	3-24Vdc
	Max Output Voltage	47Vdc	26Vdc
	Output Current	100-400mA	350-700mA
	Output Power Range	1W-10W	1.05W-10W
	Strobe Level	Almost flicker-free / High frequency exemption assessment level.	
	Dimming Range	0-100%, 0.01% dimming depth.	
	PWM Dimming Frequency	≤3600Hz	
	LF current ripple(<120Hz)	<2%	
Current Accuracy	±5%		
INPUT	Dimming Interface	0-10V(1-10V/10VPWM/RX)	
	Input Voltage	220-240Vac	
	Frequency	50/60Hz	
	Input Current	230Vac≤0.12A	
	Inrush Current(typ.)	Cold start 50A at 230Vac (twidth=75μs measured at 50% Ipeak)	
	Anti Surge	L-N: 1kV	
	Leakage Current	<0.5mA/230Vac	
ENVIRONMENT	Working Temperature	ta: -20°C ~ 50°C tc: 80°C	
	Working Humidity	20 ~ 95%RH, non-condensing	
	Storage Temp., Humidity	-40 ~ 80°C, 10-95%RH	
	Temp. Coefficient	±0.03%/°C(0-50°C)	
	Vibration	10-500Hz, 2G 12min./1cycle, period for 72min. each along X, Y, Z axes.	
PROTECTION	Over Load Protection	When O/P voltage exceed its range, O/P current declines, auto recovers.	
	Over-heat Protection	Intelligently adjusting or turning off the output current if the PCB temperature ≥110°C, auto recovers.	
	Short Circuit Protection	Shut down automatically if short circuit occurs, auto recovers.	
SAFETY & EMC	Withstand Voltage	I/P-O/P: 3750Vac	
	Isolation Resistance	I/P-O/P: 100MΩ/500VDC/25°C/70%RH	
	Safety Standards	IEC/EN61347-1, IEC/EN61347-2-13	
	Strobe Test Standard	IEEE 1789	
OTHERS	Dimension	135×30×20mm[L×W×H]	
	Packing	140×34×23mm[L×W×H]	
	Weight[G.W.]	80g±10g	

Wiring Diagram



Dimensions

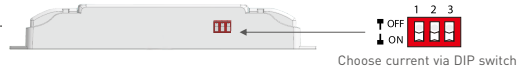
Unit : mm



LED Current Selection

DIP switch for 8 optional currents' quick selection(see the table below).

* Please choose the current value when the driver is power off.



DIP Switch		↑↑↓	↑↓↑	↑↓↓	↓↓↑↑	↓↑↑↓	↓↑↓↑	↓↓↑↓	↓↑↓↑	↑ ↓ ON OFF
AD-10-100-400-G1A	Output Current	100mA	150mA	200mA	250mA	300mA	350mA	400mA		
	Output Voltage	10-45V	10-45V	10-45V	10-40V	10-33V	10-28V	10-25V		
	Output Power	1-4.5W	1.5-6.75W	2-9W	2.5-10W	3-9.9W	3.5-9.8W	4-10W		

DIP Switch		↑↑↑	↑↑↓	↑↓↑	↑↓↓	↓↓↑↑	↓↑↑↓	↓↑↓↑	↓↓↑↓	↑ ↓ ON OFF
AD-10-350-700-G1A	Output Current	350mA	400mA	450mA	500mA	550mA	600mA	650mA	700mA	
	Output Voltage	3-24V	3-24V	3-22V	3-20V	3-18V	3-16V	3-15V	3-14V	
	Output Power	1.05-8.4W	1.2-9.6W	1.35-9.9W	1.5-10W	1.65-9.9W	1.8-9.6W	1.95-9.75W	2.1-9.8W	

* No further notice if any changes in the manual.
Product function depends on the goods.
Please feel free to contact your supplier if any question.