

General info

Technical - Accessories

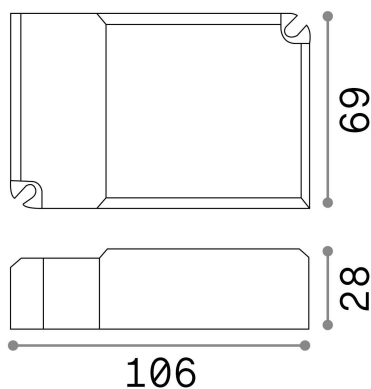
Indoor dimmable constant current driver



Ean	8021696247847
Item	LED PANEL DRIVER DALI/PUSH 45W 1000mA
Installation	Driver
Guarantee	5 years
Gross weight	0.24 kg
Volume	0.000425 m ³

Technical info

Net weight	0.17 kg
Insulation class	II
Protection index	IP20
Compliance	CE
Operating temperature	0° ~ +40 °C
Full load efficiency	88%
Dimmer	Dimmable, DALI / Push
Accessory type	Optional
Power output	220-240 V AC max 1000 mA CC 50/60 Hz



Source info

Max consumption	max 45,00 W
Standby power	< 0.50 W
Empty power	Not Applicable