

Tempo 3 RVP351

RVP351 HPI-TP250W K IC S

MASTER HPI-T Plus - 250 W - Symmetrical

Tempo is a complete floodlighting range offering a wide choice of lamp types and symmetrical and asymmetrical reflectors. It is designed for general-purpose floodlighting, and is particularly suited to small- to medium-scale area or surface lighting. The Tempo series' compact housing guarantees optimum visual integration. Anodized-aluminum reflectors ensure a highly efficient beam distribution, while the nylon bolt caps feature a goniometric aiming device for easy adjustment and alignment. A universal mounting bracket allows ceiling, wall or surface mounting with a wide range of adjustment for both down- and uplighting. Tempo's all-weather construction is designed to make cleaning and servicing easy and fast. Access to the lamp and gear is simple, via the hinged front glass with its quick-release stainless-steel clips. All Tempo luminaires are RoHS-compliant.

Product data

| General Information | |
|-------------------------|----------------------------------|
| Number of light sources | 1 pc |
| Lamp family code | HPI-TP [MASTER HPI-T Plus] |
| Lamp power | 250 W |
| Light source color | 645 neutral white |
| Kombipack | Lamp(s) included |
| Compensation circuit | Inductive parallel compensated |
| Gear | CONV [Conventional] |
| Optical cover/lens type | Flat glass |
| Connection | Screw connection block 3-pole |
| Cable | - |
| Protection class IEC | Safety class I |
| Glow-wire test | Temperature 850 °C, duration 5 s |
| CE mark | CE mark |

| | |
|-----------------------|-------------|
| ENEC mark | - |
| Warranty period | 1 years |
| Optic type outdoor | Symmetrical |
| Constant light output | No |
| RoHS mark | RoHS mark |

| Light Technical | |
|---------------------------|---|
| Upward light output ratio | 0 |

| Operating and Electrical | |
|-------------------------------|----------|
| Input Voltage | 230 V |
| Input Frequency | 50 Hz |
| Initial CLO power consumption | {NO} - W |
| End CLO power consumption | {NO} - W |

Tempo 3 RVP351

| | |
|--------------------|------|
| Power Factor (Min) | 0.85 |
|--------------------|------|

Controls and Dimming

| | |
|----------|----|
| Dimmable | No |
|----------|----|

Mechanical and Housing

| | |
|-----------------------------|----------------------|
| Housing Material | Aluminum die cast |
| Reflector material | Aluminum |
| Optic material | Aluminum |
| Optical cover/lens material | Glass |
| Fixation material | Steel |
| Optical cover/lens shape | Flat |
| Optical cover/lens finish | Clear |
| Overall length | 428 mm |
| Overall width | 464 mm |
| Overall height | 146 mm |
| Effective projected area | 0.165 m ² |
| Diameter | - |
| Color | Gray |

Approval and Application

| | |
|-------------------------|---|
| Ingress protection code | IP65 [Dust penetration-protected, jet-proof] |
|-------------------------|---|

| | |
|------------------------------|------------------------|
| Mech. impact protection code | IK07 [2 J reinforced] |
|------------------------------|------------------------|

Initial Performance (IEC Compliant)

| | |
|-------------------------------|--------|
| Init. Corr. Color Temperature | 4500 K |
| Init. Color Rendering Index | 65 |

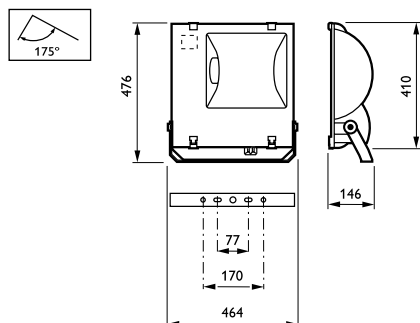
Application Conditions

| | |
|---------------------------|---------------|
| Ambient temperature range | -25 to +35 °C |
|---------------------------|---------------|

Product Data

| | |
|---------------------------------|--------------------------|
| Full product code | 871155914971400 |
| Order product name | RVP351 HPI-TP250W K IC S |
| EAN/UPC - Product | 8711559149714 |
| Order code | 910502548518 |
| Numerator - Quantity Per Pack | 1 |
| Numerator - Packs per outer box | 1 |
| Material Nr. (12NC) | 910502548518 |
| Net Weight (Piece) | 7.540 kg |

Dimensional drawing



Tempo 3 RVP351

