



# Fugato Performance, general lighting

## FBS271 1xPL-C/4P26W/840 HFP C PI WH

FUGATO - 1 pc - MASTER PL-C 4 Pin - 26 W - 840 neutral white  
- HF Performer - High-gloss mirror - Push-in connector 3-pole -  
White

The Fugato range of fixed downlights for general lighting consists of Fugato Compact (cut-out 175 mm), Fugato Performance (cut-out 225 mm), Fugato Power (cut-out 275 mm) and Fugato Full Metal (both 175 and 225 mm), which have all been designed for optimum performance – both optical and thermal – with compact fluorescent lamps. Optical variation is provided by Fugato's 'dual optic' concept. The top optic is made of high-gloss aluminum. The lower polymer optic can be ordered in a high-gloss, matt-satin or white finish. The high-gloss (C) version complies with the UGRr19 norm (in accordance with EN12464-1,  $L_m < 1000 \text{ cd/m}^2$  at  $\gamma > 65^\circ$ ) when used with the innovative round louver. A wide range of accessories is available for the CFL versions of both Fugato and Fugato Full Metal.

### Product data

General Information		Optic type	High-gloss mirror
Number of light sources	1 pc	Optical cover/lens type	-
Lamp family code	PL-C/4P [ MASTER PL-C 4 Pin]	Emergency lighting	-
Lamp power	26 W	Internal wiring	Standard
Light source color	840 neutral white	Electrical circuit protection	-
Cap-Base	G24Q-3 [ G24q-3]	Connection	Push-in connector 3-pole
Kombipack	Lamp(s) included	Cable	-
Compensation circuit	-	Protection class IEC	Safety class I
Gear	HFP [ HF Performer]	Protection foil	-
Driver/power unit/transformer	-	Flammability mark	For mounting on normally flammable surfaces

## Fugato Performance, general lighting

Accessories included	-
CE mark	CE mark
ENEC mark	ENEC mark
Optic accessory type	-
Filters and lenses	-
Glare shielding accessories	-
Ceiling mounting accessories	-
Decorative accessories	-
Product family code	FBS271 [ FUGATO]

### Operating and Electrical

Input Voltage	230 to 240 V
Input Frequency	50 to 60 Hz

### Mechanical and Housing

Color	White
-------	-------

### Approval and Application

Ingress protection code	IP20 [ Finger-protected]
-------------------------	--------------------------

### Application Conditions

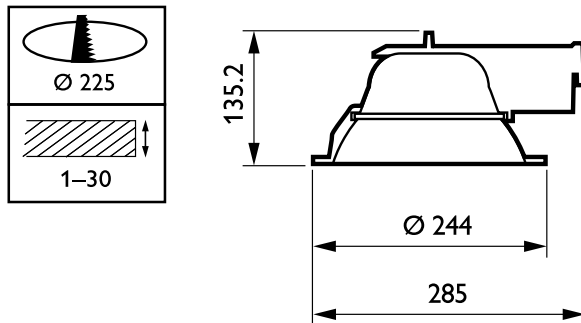
Suitable for random switching	Not applicable
-------------------------------	----------------

### Product Data

Full product code	871155994180600
Order product name	FBS271 1xPL-C/4P26W/840 HFP C PI WH
EAN/UPC - Product	8711559941806
Order code	910502445215
Numerator - Quantity Per Pack	1
Numerator - Packs per outer box	1
Material Nr. (12NC)	910502445215
Net Weight (Piece)	0.838 kg



## Dimensional drawing



Fugato FBS260

