



Tempo 1 RVP151

RVP151 MHN-TD70W IC S

MHN-TD - 70 W - Symmetrical

Tempo is a complete floodlighting range offering a wide choice of lamp types and symmetrical and asymmetrical reflectors. It is designed for general-purpose floodlighting, and is particularly suited to small- to medium-scale area or surface lighting. The Tempo series' compact housing guarantees optimum visual integration. Anodized-aluminum reflectors ensure a highly efficient beam distribution, while the nylon bolt caps feature a goniometric aiming device for easy adjustment and alignment. A universal mounting bracket allows ceiling, wall or surface mounting with a wide range of adjustment for both down- and uplighting. Tempo's all-weather construction is designed to make cleaning and servicing easy and fast. Access to the lamp and gear is simple, via the hinged front glass with its quick-release stainless-steel clips. All Tempo luminaires are RoHS-compliant.

Product data

General Information		Optic type outdoor	
Number of light sources	1 pc	Optic type outdoor	Symmetrical
Lamp family code	MHN-TD	Constant light output	No
Lamp power	70 W	RoHS mark	RoHS mark
Light source color	842 neutral white	Light Technical	
Compensation circuit	Inductive parallel compensated	Upward light output ratio	0
Gear	CONV [Conventional]	Operating and Electrical	
Optical cover/lens type	Flat glass	Input Voltage	230 V
Connection	Screw connection block 3-pole	Input Frequency	50 Hz
Cable	-	Initial CLO power consumption	{NO} - W
Protection class IEC	Safety class I	End CLO power consumption	{NO} - W
CE mark	CE mark	Power Factor (Min)	0.85
ENEC mark	-		
Warranty period	1 years		

Tempo 1 RVP151

Controls and Dimming

Dimmable	No
----------	----

Mechanical and Housing

Housing Material	Aluminum die cast
Reflector material	Aluminum
Optic material	Aluminum
Optical cover/lens material	Glass
Fixation material	Steel
Optical cover/lens shape	Flat
Optical cover/lens finish	Clear
Overall length	303 mm
Overall width	306 mm
Overall height	109 mm
Effective projected area	0.08 m ²
Color	Gray

Approval and Application

Ingress protection code	IP65 [Dust penetration-protected, jet-proof]
Mech. impact protection code	IK07 [2 J reinforced]

Initial Performance (IEC Compliant)

Init. Corr. Color Temperature	4200 K
Init. Color Rendering Index	80

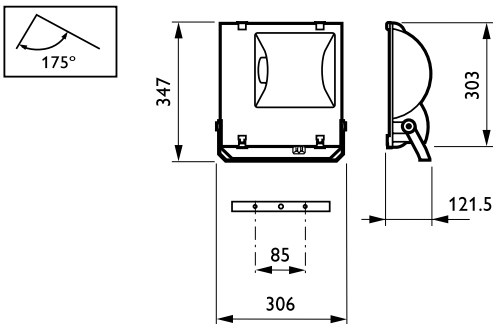
Application Conditions

Ambient temperature range	-25 to +35 °C
---------------------------	---------------

Product Data

Full product code	871794389751300
Order product name	RVP151 MHN-TD70W IC S
EAN/UPC - Product	8717943897513
Order code	910503694918
Numerator - Quantity Per Pack	1
Numerator - Packs per outer box	1
Material Nr. (12NC)	910503694918
Net Weight (Piece)	4.100 kg

Dimensional drawing



Tempo 1 RVP151

