

Tempo 3 RVP351

RVP351 HPI-TP400W K IC S

MASTER HPI-T Plus - 400 W - Symmetrical

Tempo is a complete floodlighting range offering a wide choice of lamp types and symmetrical and asymmetrical reflectors. It is designed for general-purpose floodlighting, and is particularly suited to small- to medium-scale area or surface lighting. The Tempo series' compact housing guarantees optimum visual integration. Anodized-aluminum reflectors ensure a highly efficient beam distribution, while the nylon bolt caps feature a goniometric aiming device for easy adjustment and alignment. A universal mounting bracket allows ceiling, wall or surface mounting with a wide range of adjustment for both down- and uplighting. Tempo's all-weather construction is designed to make cleaning and servicing easy and fast. Access to the lamp and gear is simple, via the hinged front glass with its quick-release stainless-steel clips. All Tempo luminaires are RoHS-compliant.

Product data

| General Information | |
|-------------------------|-------------------------------------------|
| Number of light sources | 1 [1 pc] |
| Lamp family code | HPI-TP [MASTER HPI-T Plus] |
| Lamp power | 400 W |
| Light source colour | 645 neutral white |
| Kombipack | Lamp(s) included |
| Compensation circuit | Inductive parallel compensated |
| Gear | CONV [Conventional] |
| Optical cover/lens type | FG [Flat glass] |
| Connection | SI [Screw connection block] |
| Cable | - |
| Protection class IEC | Safety class I (I) |
| Glow-wire test | 850/5 [Temperature 850 °C, duration 5 s] |
| CE mark | CE mark |

| | |
|-----------------------|-------------|
| ENEC mark | - |
| Warranty period | 1 years |
| Outdoor optic type | Symmetrical |
| Constant light output | No |
| RoHS mark | RoHS mark |

| Light Technical | |
|---------------------------|---|
| Upward light output ratio | 0 |

| Operating and Electrical | |
|-------------------------------|----------|
| Input voltage | 230 V |
| Input frequency | 50 Hz |
| Initial CLO power consumption | {NO} - W |
| End CLO power consumption | {NO} - W |

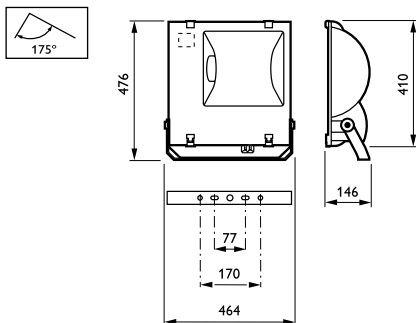
Tempo 3 RVP351

| | |
|---------------------------------|-----------------------------------------------|
| Power factor (min.) | 0.85 |
| Controls and Dimming | |
| Dimmable | No |
| Mechanical and Housing | |
| Housing material | Aluminum die-cast |
| Reflector material | Aluminum |
| Optic material | Aluminum |
| Optical cover/lens material | Glass |
| Fixation material | Steel |
| Optical cover/lens shape | Flat |
| Optical cover/lens finish | Clear |
| Overall length | 428 mm |
| Overall width | 464 mm |
| Overall height | 146 mm |
| Effective projected area | 0.165 m ² |
| Diameter | - |
| Colour | Gray |
| Approval and Application | |
| Ingress protection code | IP65 [Dust penetration-protected, jet-proof] |

| | |
|--------------------------------------------|--------------------------|
| Mech. impact protection code | IK07 [2 J reinforced] |
| Initial Performance (IEC Compliant) | |
| Init. Corr. colour temperature | 4500 K |
| Init. colour rendering index | 65 |
| Application Conditions | |
| Ambient temperature range | -25 to +35 °C |
| Product Data | |
| Full product code | 871155914973800 |
| Order product name | RVP351 HPI-TP400W K IC S |
| EAN/UPC – product | 8711559149738 |
| Order code | 14973800 |
| Numerator – quantity per pack | 1 |
| Numerator – packs per outer box | 1 |
| Material no. (12NC) | 910502548718 |
| Net weight (piece) | 8.500 kg |



Dimensional drawing



Tempo 3 RVP351

