

Tempo 3 RVP351

RVP351 HPI-TP250W K IC A

MASTER HPI-T Plus - 250 W - Asymmetrical

Tempo is a complete floodlighting range offering a wide choice of lamp types and symmetrical and asymmetrical reflectors. It is designed for general-purpose floodlighting, and is particularly suited to small- to medium-scale area or surface lighting. The Tempo series' compact housing guarantees optimum visual integration. Anodized-aluminum reflectors ensure a highly efficient beam distribution, while the nylon bolt caps feature a goniometric aiming device for easy adjustment and alignment. A universal mounting bracket allows ceiling, wall or surface mounting with a wide range of adjustment for both down- and uplighting. Tempo's all-weather construction is designed to make cleaning and servicing easy and fast. Access to the lamp and gear is simple, via the hinged front glass with its quick-release stainless-steel clips. All Tempo luminaires are RoHS-compliant.

Product data

General Information	
Number of light sources	1 [1 pc]
Lamp family code	HPI-TP [MASTER HPI-T Plus]
Lamp power	250 W
Light source colour	645 neutral white
Kombipack	Lamp(s) included
Compensation circuit	Inductive parallel compensated
Gear	CONV [Conventional]
Optical cover/lens type	FG [Flat glass]
Connection	SI [Screw connection block]
Cable	-
Protection class IEC	Safety class I (I)
Glow-wire test	850/5 [Temperature 850 °C, duration 5 s]
CE mark	CE mark

ENEC mark	-
Warranty period	1 years
Outdoor optic type	Asymmetrical
Constant light output	No
RoHS mark	RoHS mark

Light Technical	
Upward light output ratio	0

Operating and Electrical	
Input voltage	230 V
Input frequency	50 Hz
Initial CLO power consumption	[NO] - W
End CLO power consumption	[NO] - W

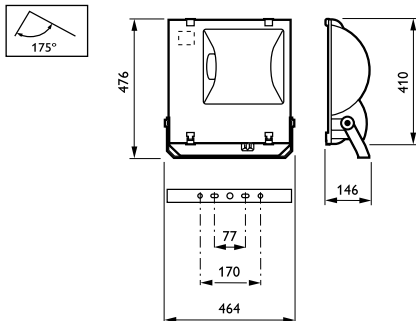
Tempo 3 RVP351

Power factor (min.)	0.85
Controls and Dimming	
Dimmable	No
Mechanical and Housing	
Housing material	Aluminum die-cast
Reflector material	Aluminum
Optic material	Aluminum
Optical cover/lens material	Glass
Fixation material	Steel
Optical cover/lens shape	Flat
Optical cover/lens finish	Clear
Overall length	428 mm
Overall width	464 mm
Overall height	146 mm
Effective projected area	0.165 m ²
Diameter	-
Colour	Gray
Approval and Application	
Ingress protection code	IP65 [Dust penetration-protected, jet-proof]

Mech. impact protection code	IK07 [2 J reinforced]
Initial Performance (IEC Compliant)	
Init. Corr. colour temperature	4500 K
Init. colour rendering index	65
Application Conditions	
Ambient temperature range	-25 to +35 °C
Product Data	
Full product code	871155914970700
Order product name	RVP351 HPI-TP250W K IC A
EAN/UPC – product	8711559149707
Order code	14970700
Numerator – quantity per pack	1
Numerator – packs per outer box	1
Material no. (12NC)	910502548418
Net weight (piece)	7.540 kg



Dimensional drawing



Tempo 3 RVP351

