

# Tempo 2 RVP251

## RVP251 MHN-TD150W/842 IC S

MHN-TD - 150 W - Symmetrical

Tempo is a complete floodlighting range offering a wide choice of lamp types and symmetrical and asymmetrical reflectors. It is designed for general-purpose floodlighting, and is particularly suited to small- to medium-scale area or surface lighting. The Tempo series' compact housing guarantees optimum visual integration. Anodized-aluminum reflectors ensure a highly efficient beam distribution, while the nylon bolt caps feature a goniometric aiming device for easy adjustment and alignment. A universal mounting bracket allows ceiling, wall or surface mounting with a wide range of adjustment for both down- and uplighting. Tempo's all-weather construction is designed to make cleaning and servicing easy and fast. Access to the lamp and gear is simple, via the hinged front glass with its quick-release stainless-steel clips. All Tempo luminaires are RoHS-compliant.

### Product data

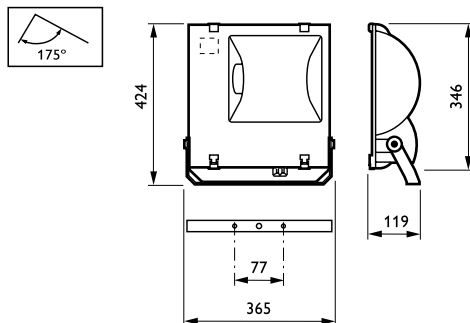
General Information		Warranty period	
Number of light sources	1 pc	Warranty period	1 years
Lamp family code	MHN-TD	Optic type outdoor	Symmetrical
Lamp power	150 W	Constant light output	No
Light source color	842 neutral white	RoHS mark	RoHS mark
Kombipack	Lamp(s) included	<b>Light Technical</b>	
Compensation circuit	Inductive parallel compensated	Upward light output ratio	0
Gear	CONV [ Conventional]	<b>Operating and Electrical</b>	
Optical cover/lens type	Flat glass	Input Voltage	230 V
Connection	Screw connection block 3-pole	Input Frequency	50 Hz
Cable	-	Initial CLO power consumption	{NO} - W
Protection class IEC	Safety class I	End CLO power consumption	{NO} - W
CE mark	CE mark		
ENEC mark	-		

## Tempo 2 RVP251

Power Factor (Min)	0.85
<b>Controls and Dimming</b>	
Dimmable	No
<b>Mechanical and Housing</b>	
Housing Material	Aluminum die cast
Reflector material	Aluminum
Optic material	Aluminum
Optical cover/lens material	Glass
Fixation material	Steel
Optical cover/lens shape	Flat
Optical cover/lens finish	Clear
Overall length	346 mm
Overall width	363 mm
Overall height	118 mm
Effective projected area	0.123 m <sup>2</sup>
Diameter	-
Color	Gray
<b>Approval and Application</b>	
Ingress protection code	IP65 [ Dust penetration-protected, jet-proof]

Mech. impact protection code	IK07 [ 2 J reinforced]
<b>Initial Performance (IEC Compliant)</b>	
Init. Corr. Color Temperature	4200 K
Init. Color Rendering Index	85
<b>Application Conditions</b>	
Ambient temperature range	-25 to +35 °C
<b>Product Data</b>	
Full product code	871155914961500
Order product name	RVP251 MHN-TD150W/842 IC S
EAN/UPC - Product	8711559149615
Order code	910502547518
Numerator - Quantity Per Pack	1
Numerator - Packs per outer box	1
Material Nr. (12NC)	910502547518
Net Weight (Piece)	5.795 kg

### Dimensional drawing



Tempo 2 RVP251

