



Tempo 2 RVP251

RVP251 CDM-TD150W/830 IC S

MASTERColour CDM-TD - 150 W - Symmetrical

Tempo is a complete floodlighting range offering a wide choice of lamp types and symmetrical and asymmetrical reflectors. It is designed for general-purpose floodlighting, and is particularly suited to small- to medium-scale area or surface lighting. The Tempo series' compact housing guarantees optimum visual integration. Anodized-aluminum reflectors ensure a highly efficient beam distribution, while the nylon bolt caps feature a goniometric aiming device for easy adjustment and alignment. A universal mounting bracket allows ceiling, wall or surface mounting with a wide range of adjustment for both down- and uplighting. Tempo's all-weather construction is designed to make cleaning and servicing easy and fast. Access to the lamp and gear is simple, via the hinged front glass with its quick-release stainless-steel clips. All Tempo luminaires are RoHS-compliant.

Product data

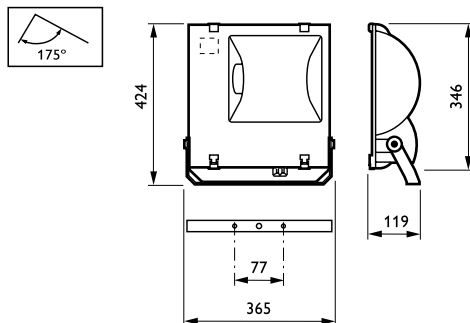
| General Information | | Warranty period | |
|-------------------------|--------------------------------|-------------------------------|-------------|
| Number of light sources | 1 pc | Warranty period | 1 years |
| Lamp family code | CDM-TD [MASTERColour CDM-TD] | Optic type outdoor | Symmetrical |
| Lamp power | 150 W | Constant light output | No |
| Light source color | 830 warm white | RoHS mark | RoHS mark |
| Kombipack | Lamp(s) included | Light Technical | |
| Compensation circuit | Inductive parallel compensated | Upward light output ratio | 0 |
| Gear | CONV [Conventional] | Operating and Electrical | |
| Optical cover/lens type | Flat glass | Input Voltage | 230 V |
| Connection | Screw connection block 3-pole | Input Frequency | 50 Hz |
| Cable | - | Initial CLO power consumption | {NO} - W |
| Protection class IEC | Safety class I | End CLO power consumption | {NO} - W |
| CE mark | CE mark | | |
| ENEC mark | - | | |

Tempo 2 RVP251

| | |
|---------------------------------|---|
| Power Factor (Min) | 0.85 |
| Controls and Dimming | |
| Dimmable | No |
| Mechanical and Housing | |
| Housing Material | Aluminum die cast |
| Reflector material | Aluminum |
| Optic material | Aluminum |
| Optical cover/lens material | Glass |
| Fixation material | Steel |
| Optical cover/lens shape | Flat |
| Optical cover/lens finish | Clear |
| Overall length | 346 mm |
| Overall width | 363 mm |
| Overall height | 118 mm |
| Effective projected area | 0.123 m ² |
| Diameter | - |
| Color | Gray |
| Approval and Application | |
| Ingress protection code | IP65 [Dust penetration-protected, jet-proof] |

| | |
|--|----------------------------|
| Mech. impact protection code | IK07 [2 J reinforced] |
| Initial Performance (IEC Compliant) | |
| Init. Corr. Color Temperature | 3000 K |
| Init. Color Rendering Index | 80 |
| Application Conditions | |
| Ambient temperature range | -25 to +35 °C |
| Product Data | |
| Full product code | 871155914957800 |
| Order product name | RVP251 CDM-TD150W/830 IC S |
| EAN/UPC - Product | 8711559149578 |
| Order code | 910502547118 |
| Numerator - Quantity Per Pack | 1 |
| Numerator - Packs per outer box | 1 |
| Material Nr. (12NC) | 910502547118 |
| Net Weight (Piece) | 5.795 kg |

Dimensional drawing



Tempo 2 RVP251

