

TCS214 C5

TCS 214

Functional luminaire for TL-D fluorescent lamp(s) with choice of 5 optics and 2 covers for general/low-glare lighting requirements. Optics supplied with the luminaire (for available optics see Luminaire programme table). The mirror construction with small V-lamellae gives a high light output ratio allowing economical spacings.

Applications

- Office spaces
- Normal industries
- Reception and public service areas
- Corridors and staircases
- Recreational areas (restaurants, cafeterias)
- Discount stores, Hyper-/supermarkets, Do-it-yourself shops
- Department stores, Fashion shops
- Specific areas

Technical description

- Gear/power supply:
- Conventional: 230V
- Electronic: 230-240 V
- Lamps: 1, 2 and 4 TL-D fluorescent
- Connection: push-in block
- Housing: white sheet steel with plastic endcaps

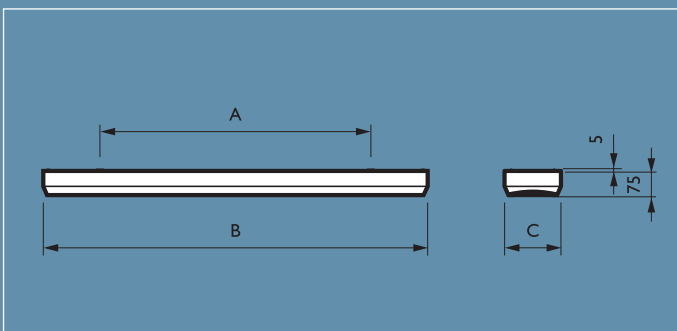
Installation

Mounting: individual.

Method: holes for (wood)screw fixing.

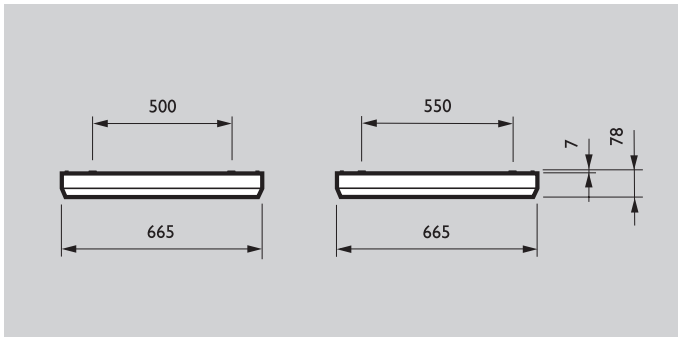


Dimensions in mm

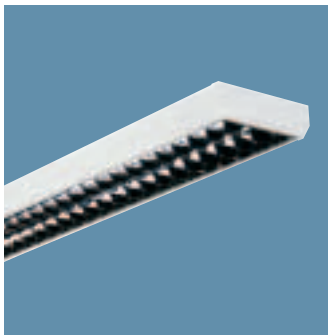


Product ID	A	B	C
TCS214 1x36W	900	1276	187
TCS214 1x58W	1200	1578	187
TCS214 2x36W	900	1276	271
TCS214 2x58W	1200	1578	271

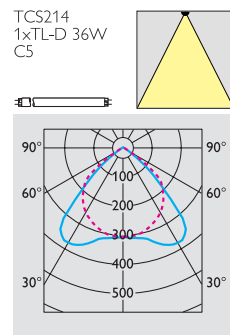
Dimensions in mm



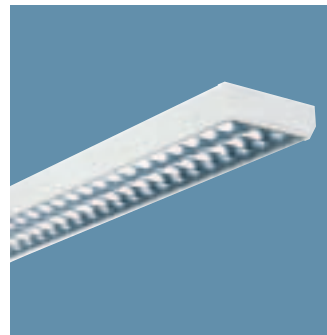
TCS214 4x



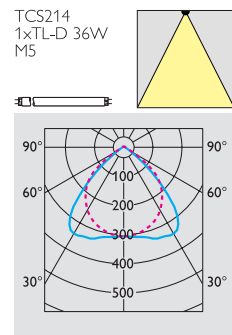
TCS214 2x 36W C5



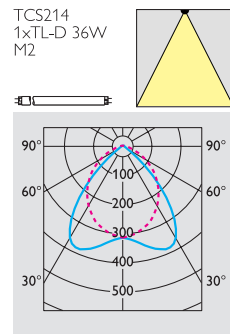
* DIN 5035/7 60°-200cd/m²



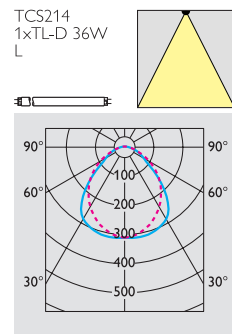
TCS214 M5



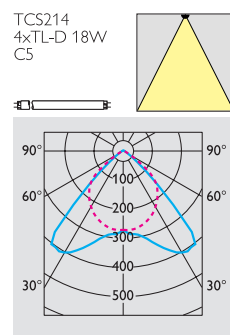
TCS214 M2



TCS214 L



TCS214 4x 18W C5



* DIN 5035/7 60°-200cd/m²

Preferred selection

Product ID	Optics	Weight (kg)	Light Output Ratio (LOR)	European Order Code (EOC)
TCS214-1xTL-D36W IC C5	C5	4.50	0.67	11659400
TCS214-1xTL-D58W IC C5	C5	5.50	0.65	08149600
TCS214-2xTL-D36W IC C5	C5	6.20	0.61	11665500
TCS214-2xTL-D58W IC C5	C5	7.40	0.59	08157100
TCS214-4xTL-D18W IC C5	C5	7.20	0.65	08161800
TCS214-1xTL-D36W IC M5	M5	4.50	0.66	11657000
TCS214-1xTL-D58W IC M5	M5	5.50	0.65	11661700
TCS214-2xTL-D36W IC M5	M5	6.20	0.63	11664800
TCS214-2xTL-D58W IC M5	M5	7.40	6.62	08156400
TCS214-4xTL-D18W IC M5	M5	7.20	0.60	08160100
TCS214-1xTL-D36W IC M2	M2	4.50	0.70	11658700
TCS214-1xTL-D58W IC M2	M2	5.50	0.70	11662400
TCS214-2xTL-D36W IC M2	M2	6.20	0.65	11663100
TCS214-2xTL-D58W IC M2	M2	7.40	0.63	08155700
TCS214-4xTL-D18W IC M2	M2	7.20	0.66	08159500
TCS214-1xTL-D36W IC L	L	4.50	0.73	11656300
TCS214-1xTL-D58W IC L	L	5.50	0.72	11660000
TCS214-2xTL-D36W IC L	L	6.20	0.68	08150200
TCS214-2xTL-D58W IC L	L	7.40	0.65	11666200
LTC214-4xTL-D18W IC L	L	7.20	0.64	11667900
TCS214-4xTL-D18W IC O	O	7.20	0.56	12070600
TCS214-4xTL-D18W IC P	P	7.20	0.62	12071300
TCS214 2xTL-D36W IC C3	C3	6.20	0.68	12422300
TCS214 4xTL-D18W IC C3	C3	7.20	0.64	12423000
TCS214-1xTL-D36W EI C5	C5	4.20	0.67	12250200
TCS214-1xTL-D58W EI C5	C5	4.20	0.65	12256400
TCS214-2xTL-D36W EI C5	C5	4.60	0.61	12253300
TCS214-2xTL-D58W EI C5	C5	5.70	0.59	12259500
TCS214-4xTL-D18W EI C5	C5	6.20	0.65	12348600
TCS214-1xTL-D36W EI M5	M5	4.20	0.66	12249600
TCS214-1xTL-D58W EI M5	M5	4.20	0.65	12255700
TCS214-2xTL-D36W EI M5	M5	4.60	0.63	12252600
TCS214-2xTL-D58W EI M5	M5	5.70	0.62	12258800
TCS214-1xTL-D36W EI M2	M2	4.20	0.70	12248900
TCS214-1xTL-D58W EI M2	M2	4.20	0.70	12254000
TCS214-2xTL-D36W EI M2	M2	4.60	0.65	12251900
TCS214-2xTL-D58W EI M2	M2	5.70	0.63	12257100
TCS214-4xTL-D18W EI M2	M2	6.20	0.66	12349300