



# MASTER LEDspot LV AR111

## MAS LEDspotLV D 20-100W 830 AR111 24D

With its new perfect-fit design, the Master LEDspot LV AR111 now works with most of G53 luminaires as a true retrofit solution. The lamp creates a brilliant visual effect for retail and hospitality applications such as shops, showrooms and galleries. The high quality light brings out the true colors in merchandise and emphasizes its beauty. It also lasts long, with a strong lumen and color maintenance. The beautifully designed lamp offers a well-defined beam with a multitude of beam angles to suit various applications. Not only does it employ the Philips patented solution to ensure it is compatible with a broad selection of standard 12V halogen electronic transformers, it also delivers high beam intensity which equivalent to halogen AR111 spots of 50W, 75W or 100W.

### Product data

General Information	
Cap-Base	G53 [ G53]
EU RoHS compliant	Yes
Nominal Lifetime (Nom)	25000 h
Switching Cycle	50000X
Technical Type	20-100W
Light Technical	
Color Code	830 [ CCT of 3000K]
Beam Angle (Nom)	24 °
Luminous Flux (Nom)	1200 lm
Luminous Intensity (Nom)	6000 cd
Color Designation	White (WH)
Correlated Color Temperature (Nom)	3000 K
Luminous Efficacy (rated) (Nom)	60.00 lm/W

Color Consistency	<3
Color Rendering Index (Nom)	80
LLMF At End Of Nominal Lifetime (Nom)	70 %
Luminous Flux in 90° Cone (Rated)	1200 lm
Operating and Electrical	
Input Frequency	- Hz
Power (Nom)	20 W
Lamp Current (Nom)	2400 mA
Wattage Equivalent	100 W
Starting Time (Nom)	0.5 s
Warm Up Time to 60% Light (Nom)	0.5 s
Power Factor (Nom)	0.7
Voltage (Nom)	12 V

# MASTER LEDspot LV AR111

## Temperature

T-Case Maximum (Nom)	80 °C
----------------------	-------

## Controls and Dimming

Dimmable	Yes
----------	-----

## Mechanical and Housing

Bulb Shape	AR111
------------	-------

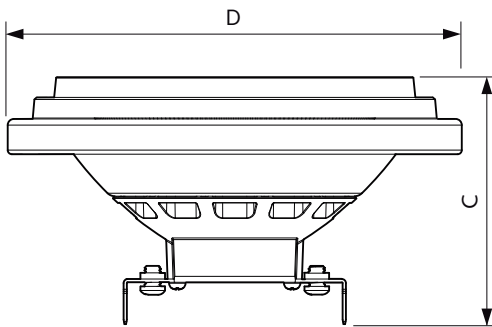
## Approval and Application

Suitable For Accent Lighting	Yes
Energy Consumption kWh/1000 h	22 kWh

## Product Data

Full product code	871869670743200
Order product name	MAS LEDspotLV D 20-100W 830 AR111 24D
EAN/UPC - Product	8718696707432
Order code	929001170902
Numerator - Quantity Per Pack	1
Numerator - Packs per outer box	6
Material Nr. (12NC)	929001170902
Net Weight (Piece)	0.160 kg

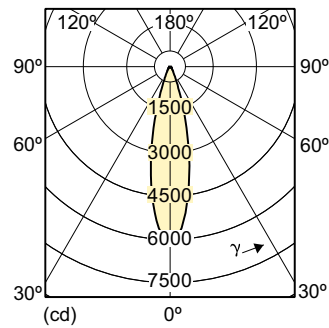
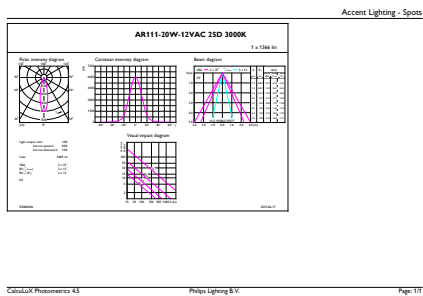
## Dimensional drawing



MAS LEDspotLV D 20-100W 830 AR111 24D

Product	D	C
MAS LEDspotLV D 20-100W 830 AR111 24D	111 mm	62 mm

## Photometric data

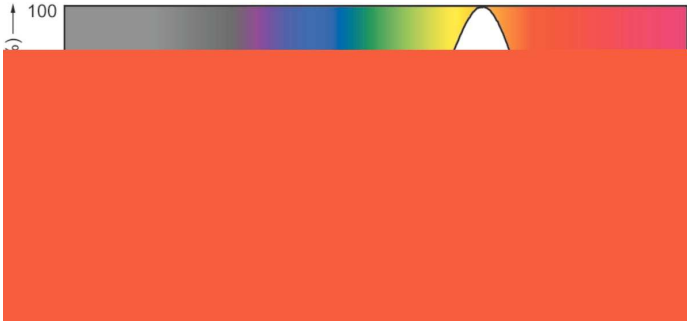


LEDspot, LEDspotLV 20-100W AR111 830 24D

LEDspot, LEDspotLV 20-100W AR111 830 24D

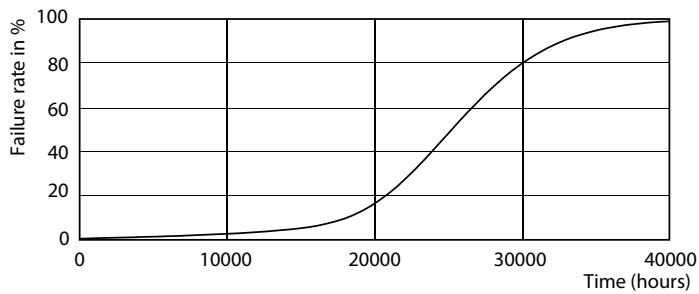
# MASTER LEDspot LV AR111

## Photometric data

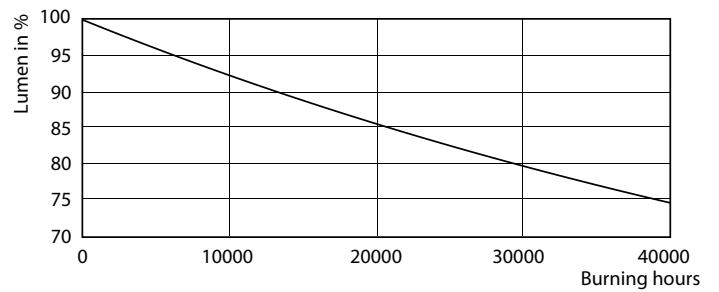


SDPO\_LEDspotL\_0023-Spectral Power distribution

## Lifetime



MASTER LEDspotLV AR111 100W G53 40D



MASTER LEDspotLV AR111 100W G53 40D

