



Ledinaire Wall-mounted WL060V

WL060V LED17S/830 PSU II WH

830 warm white - Power supply unit - Safety class II - White

The Ledinaire range contains a selection of popular off-the-shelf LED luminaires, each of which come with the high Philips quality levels and competitive price. Reliable, energy-efficient and affordable – just what you need.

Product data

General Information		Remarks
Beam angle of light source	120 °	*-Per Lighting Europe guidance paper "Evaluating performance of LED based luminaires - January 2018": statistically there is no relevant difference in lumen maintenance between B50 and for example B10. Therefore the median useful life (B50) value also represents the B10 value.
Light source color	830 warm white	
Light source replaceable	No	
Number of gear units	1 unit	
Driver/power unit/transformer	Power supply unit	
Driver included	Yes	
Optic type	Beam angle 120°	
Luminaire light beam spread	120°	
Control interface	-	
Connection	Push-in connector 3-pole	
Cable	-	
Protection class IEC	Safety class II	
Glow-wire test	Temperature 650 °C, duration 30 s	
Flammability mark	-	
CE mark	CE mark	
ENEC mark	-	
Warranty period	3 years	
Constant light output	No	
Number of products on MCB of 16 A type B	50	
EU RoHS compliant	Yes	
Operating and Electrical		
Input Voltage	220-240 V	
Input Frequency	50 to 60 Hz	
Inrush current	3.28 A	
Inrush time	0.044 ms	
Power Factor (Min)	0.9	

Ledinaire Wall-mounted WL060V

Controls and Dimming

Dimmable	No
----------	----

Mechanical and Housing

Housing Material	Polypropylene
Reflector material	Polycarbonate
Optic material	Polymethyl methacrylate
Optical cover/lens material	Polymethyl methacrylate
Fixation material	-
Optical cover/lens finish	Opal
Overall length	345 mm
Overall width	345 mm
Overall height	97 mm
Overall diameter	345 mm
Color	White
Dimensions (Height x Width x Depth)	97 x 345 x 345 mm (3.8 x 13.6 x 13.6 in)

Approval and Application

Ingress protection code	IP44 [Wire-protected, splash-proof]
Mech. impact protection code	IK03 [0.3 J]

Initial Performance (IEC Compliant)

Initial luminous flux (system flux)	1700 lm
Luminous flux tolerance	+/-10%
Initial LED luminaire efficacy	90 lm/W
Init. Corr. Color Temperature	3000 K
Init. Color Rendering Index	>80
Initial chromaticity	(0.43, 0.40) SDCM ≤5

Initial input power	18.5 W
Power consumption tolerance	+/-10%

Over Time Performance (IEC Compliant)

Control gear failure rate at median useful life 50000 h	2.24 %
Lumen maintenance at median useful life* 50000 h	L70

Application Conditions

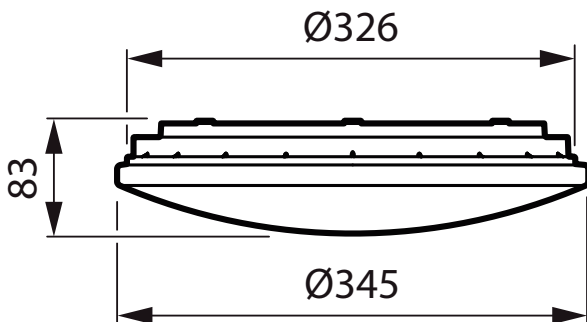
Ambient temperature range	-20 to +40 °C
Performance ambient temperature Tq	25 °C
Maximum dim level	Not applicable
Suitable for random switching	Not applicable

Product Data

Full product code	871016333911599
Order product name	WL060V LED17S/830 PSU II WH
EAN/UPC - Product	8710163339115
Order code	911401802280
Numerator - Quantity Per Pack	1
Numerator - Packs per outer box	5
Material Nr. (12NC)	911401802280
Net Weight (Piece)	0.580 kg



Dimensional drawing



Ledinaire Wall-mounted WL060V/WL055V

Ledinaire Wall-mounted WLO60V

