



CoreLine Projector

ST120T LED24S-24-/840 PSU BK

LED Module, system flux 2400 lm - 24 ° - 840 neutral white -
Power supply unit - Black

The CoreLine Projector is designed to replace halogen and CDM-standard-based projectors for retail and hospitality applications. This track based luminaire supports retailers to let their products stand out, or highlight certain objects. The clean design with integrated driver, and choice in 23 or 36 degree beam angle makes the CoreLine Projector relevant to many applications.

Product data

General Information		Warranty period	
Number of light sources	1 pc	Warranty period	3 years + 2 years upon registration
Lamp family code	LED24S [LED Module, system flux 2400 lm]	Remarks	*-Per Lighting Europe guidance paper "Evaluating performance of LED based luminaires - January 2018": statistically there is no relevant difference in lumen maintenance between B50 and for example B10. Therefore the median useful life (B50) value also represents the B10 value.
Beam angle of light source	24 °	Constant light output	No
Light source color	840 neutral white	Number of products on MCB of 16 A type	40
Light source replaceable	No	B	
Number of gear units	1 unit	RoHS mark	RoHS mark
Driver/power unit/transformer	Power supply unit	Operating and Electrical	
Driver included	Yes	Input Voltage	220 to 240 V
Optic type	Beam angle 24°	Input Frequency	50 to 60 Hz
Luminaire light beam spread	24°	Inrush current	5.6 A
Connection	Feed-through connector 3-pole	Inrush time	40 ms
Cable	-		
Protection class IEC	Safety class I		
Glow-wire test	Temperature 650 °C, duration 5 s		
Flammability mark	-		
CE mark	CE mark		
ENEC mark	-		

CoreLine Projector

Power Factor (Min)	0.9
--------------------	-----

Controls and Dimming

Dimmable	No
----------	----

Mechanical and Housing

Housing Material	Aluminum
Reflector material	-
Optic material	Polymethyl methacrylate
Optical cover/lens material	Polymethyl methacrylate
Fixation material	-
Optical cover/lens finish	Textured
Overall length	107 mm
Overall width	102 mm
Overall height	160 mm
Overall diameter	102 mm
Color	Black

Approval and Application

Ingress protection code	IP20 [Finger-protected]
Mech. impact protection code	IK02 [0.2 J standard]

Initial Performance (IEC Compliant)

Initial luminous flux (system flux)	2400 lm
Luminous flux tolerance	+/-10%

Initial LED luminaire efficacy	73 lm/W
Init. Corr. Color Temperature	4000 K
Init. Color Rendering Index	80
Initial chromaticity	(0.38, 0.38) SDCM<3
Initial input power	33 W
Power consumption tolerance	+/-10%

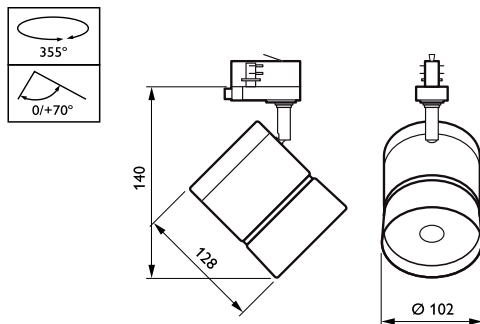
Application Conditions

Ambient temperature range	0 to +35 °C
Performance ambient temperature Tq	25 °C
Suitable for random switching	No

Product Data

Full product code	871869606947999
Order product name	ST120T LED24S-24-/840 PSU BK
EAN/UPC - Product	8718696069479
Order code	910503910093
Numerator - Quantity Per Pack	1
Numerator - Packs per outer box	12
Material Nr. (12NC)	910503910093
Net Weight (Piece)	0.361 kg

Dimensional drawing



CoreLine Projector ST120C/ST120T

CoreLine Projector

