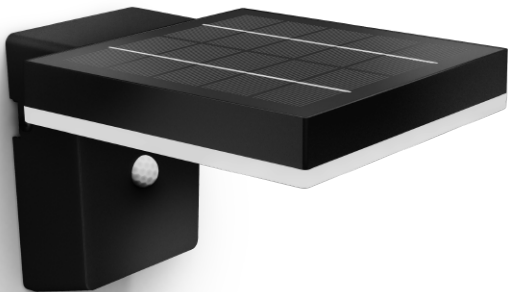


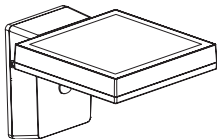
PHILIPS

Zonal Ultra Efficient
9290040667

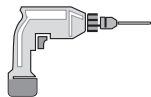


User manual
Benutzerhandbuch
Notice d'emploi
Manual de usuario
Manual do usuário
Manuale d'uso
Gebruiksaanwijzing

Incl.



Excl.



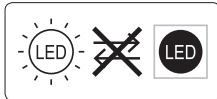
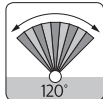
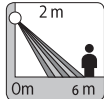
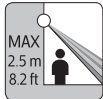
B



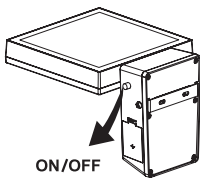
IP44



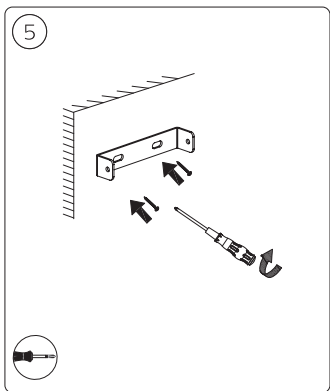
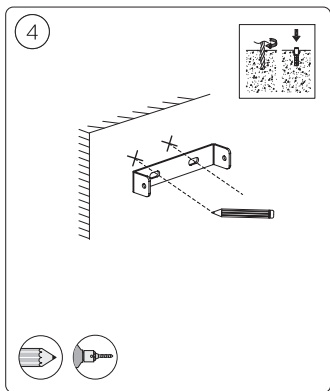
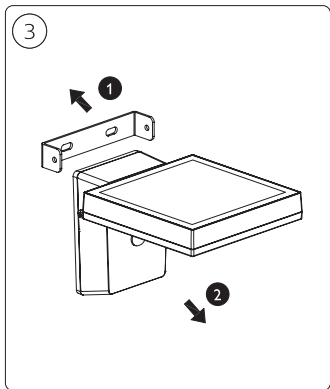
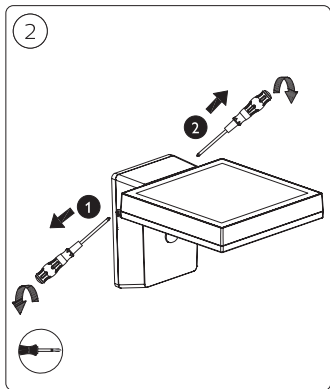
A



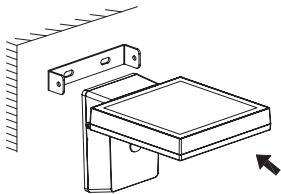
1



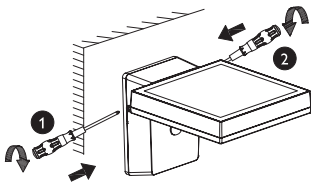
ON/OFF



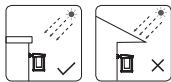
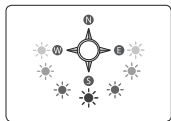
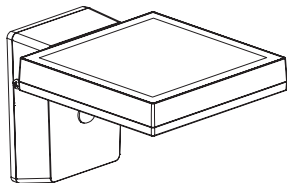
6



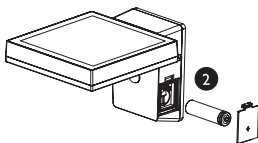
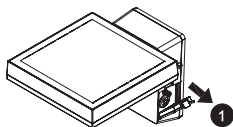
7



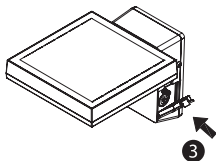
8



! Replace Battery



18650/3.7V Li-ion/2600mAh





Signify Commercial UK Limited
Unit 3, Guildford Business Park,
Guildford, Surrey, GU2 8XG, UK

Signify
I.B.R.S. / C.C.R.I. Numéro 10461
5600 VB Eindhoven, the Netherlands
☎00800-74454775

Philips and the Philips Shield Emblem
are registered trademarks of Koninklijke
Philips N.V. and are used under license.

www.philips.com/lighting

© 2023 Signify Holding
©ignify

3241 661 02721