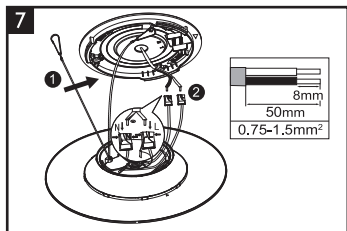
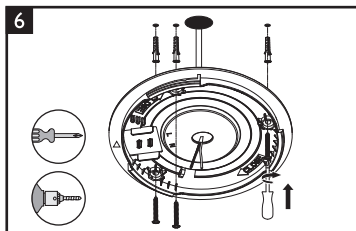
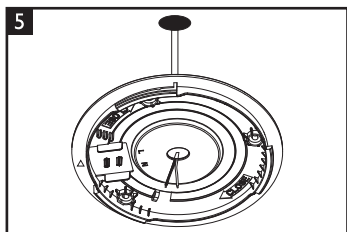
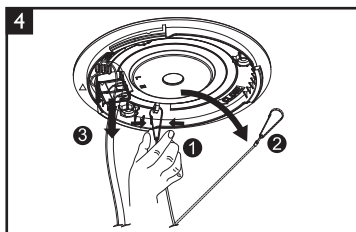
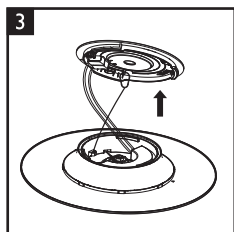
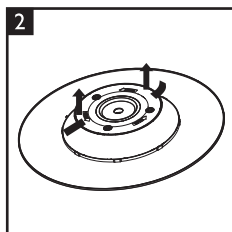
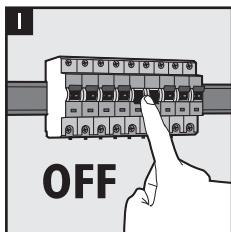
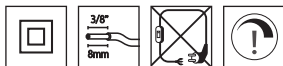
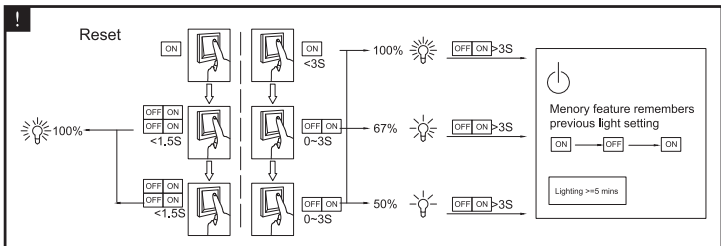
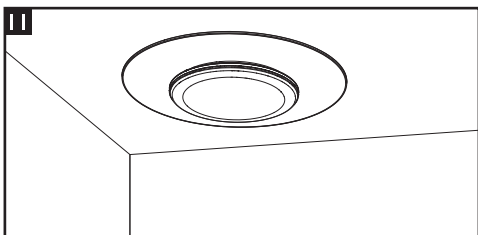
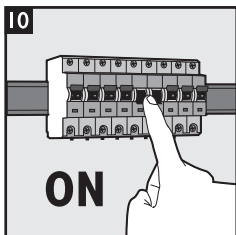
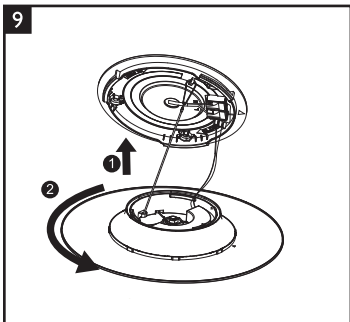
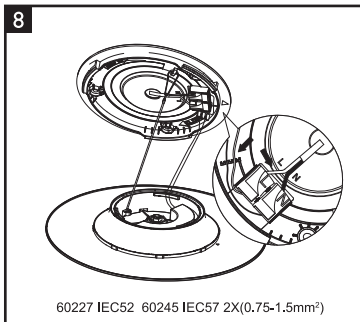


PHILIPS



Garnet CL580





9290033157LS-1

9290033157LS-2

9290033157LS-3

9290033159LS-1

9290033159LS-2

9290033159LS-3

9290033161LS-1

9290033161LS-2

9290033161LS-3

9290033163LS-1

9290033163LS-2

9290033163LS-3

Signify
I.B.R.S. / C.C.R.I. Numéro 10461
5600 VB Eindhoven, the Netherlands
www.philips.com/lighting

Signify Commercial UK Limited
Unit 3, Guildford Business Park,
Guildford, Surrey, GU2 8XG, UK



Philips and the Philips shield emblem are registered trademarks of Koninklijke Philips N.V. and are used under license

© 2023 Signify Holding

signify

Last update: 15-03-2023