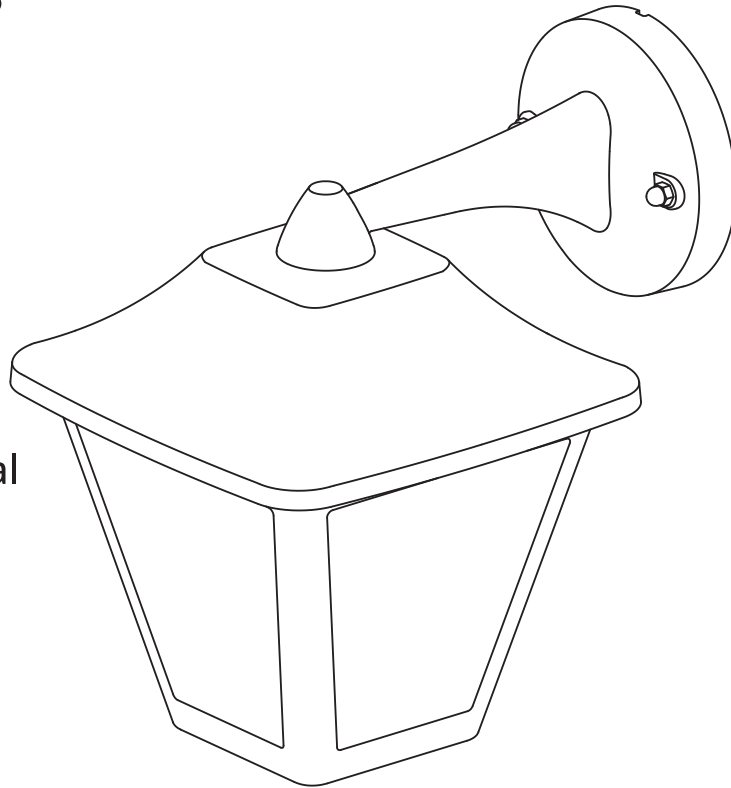




# SMART OUTDOOR WALL LIGHT CLASSIC

Installation manual



x2  
(Ø60 x 30mm)

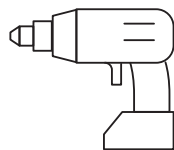
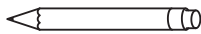
x2  
(ST4.2 x 30mm)

**A** **B**



wizconnected.com

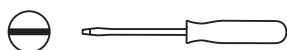
## Excluded



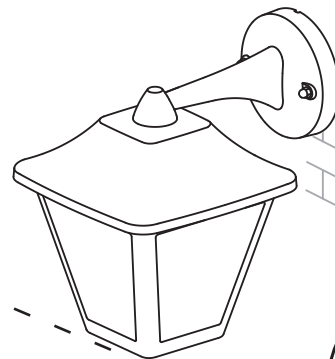
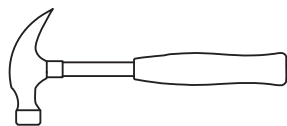
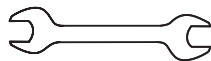
PH#2



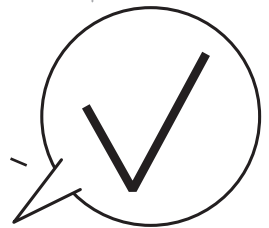
(Ø6mm)



≤ Φ4mm/0.16in



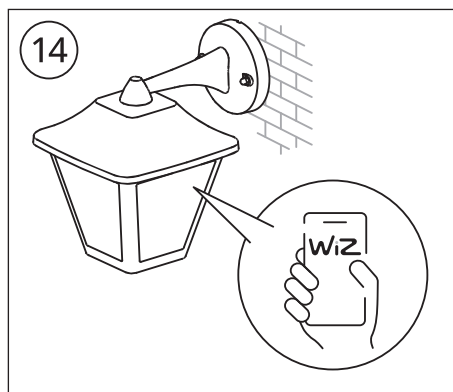
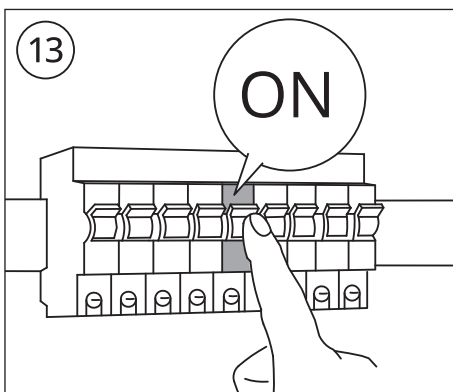
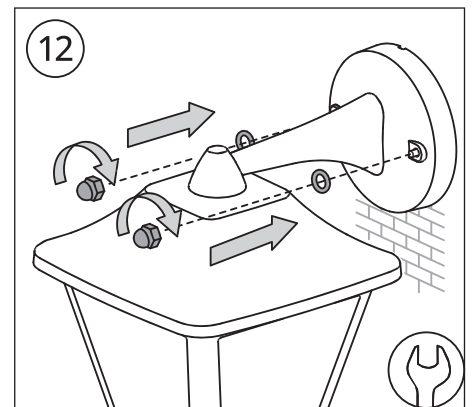
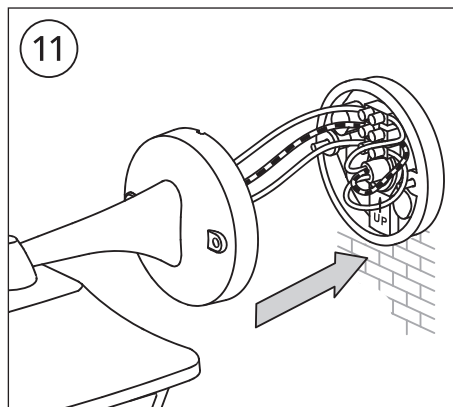
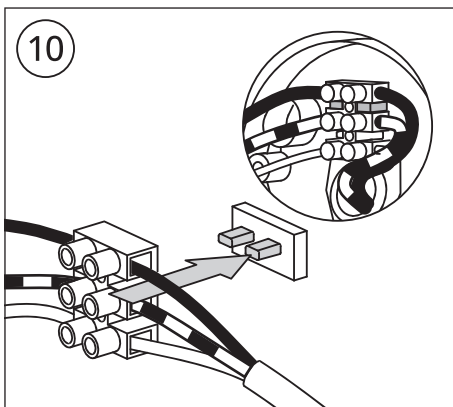
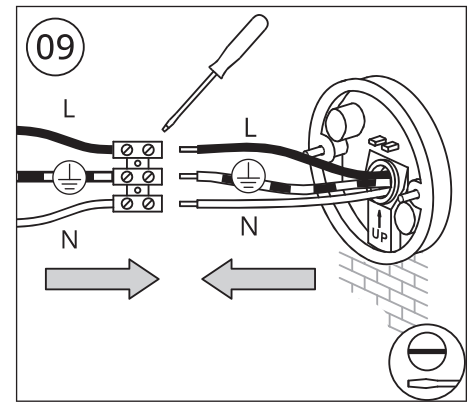
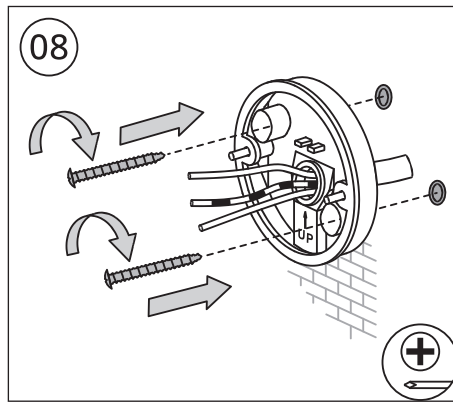
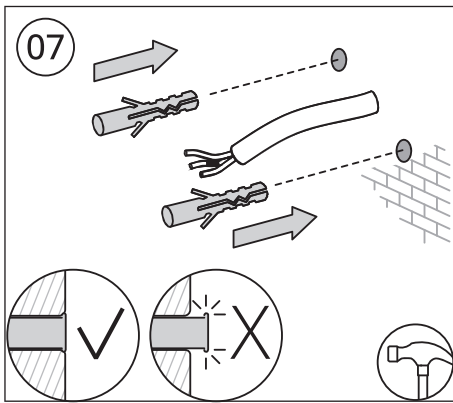
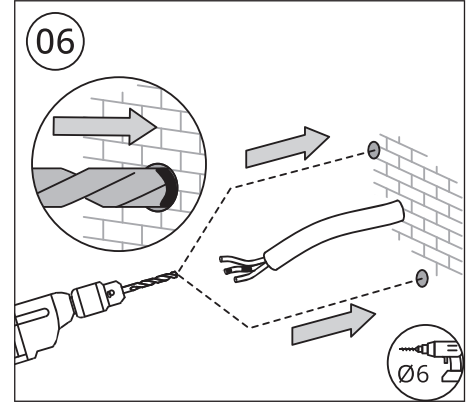
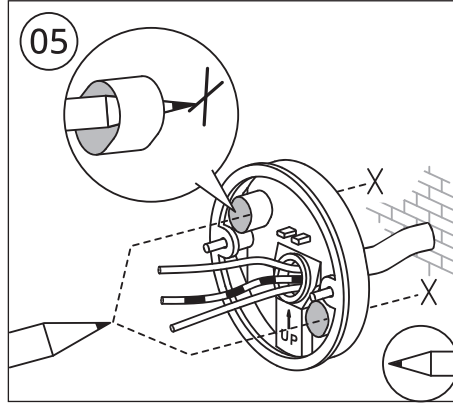
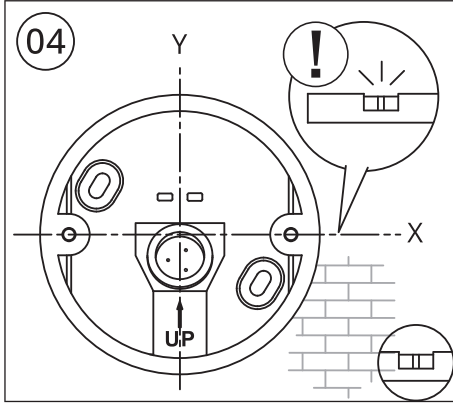
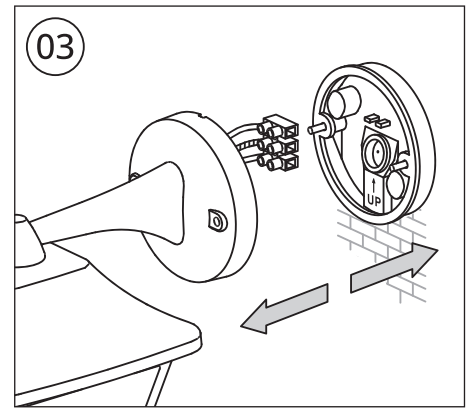
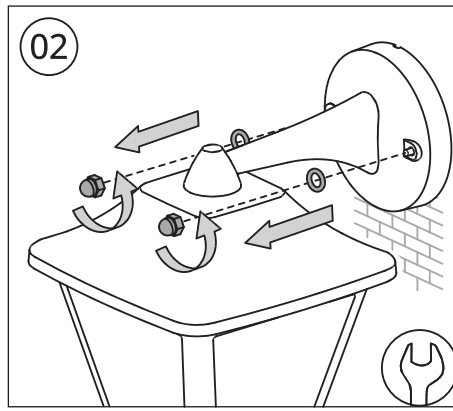
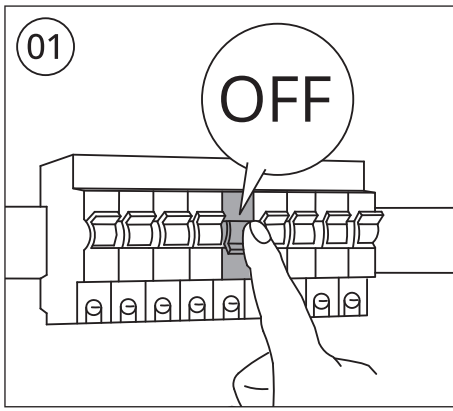
> 3.94FT/1.2M



09 IP44	11 	14 	15 	17 
31 	40 	53 	57 	65 

©2023 Signify Holding

3241 661 04391



# WIZ





EN	04
UK	05
DE	07
FR	09
NL	11
ES	13
PT	15
IT	17
DA	20
FI	21
SV	23
NO	25
EL	27
TR	29
BG	31
HU	33
SL	36
HR	37
MK	39
SR	42
CZ	44
SK	46
PL	48
RO	50
SQ	52
LV	54
LT	56
ET	58
AU/NZ	60
RU	60
UA	63
AR	64

## EN - SAFETY INSTRUCTIONS

Thank you for purchasing this WiZ product, we highly appreciate your choice for the WiZ brand and wish you lots of pleasure using your product. This manual B contains definitions of all potentially applicable parameters & specifications with icons, as per International norms and safety standards. However not all of them may be applicable for the product you purchased - please refer to the icons in the Manual A, for the ones which are particularly applicable for this product.

The manufacturer advises the correct use of lighting fittings! Therefore always follow these instructions to ensure correct and safe installation and functioning of the fitting, and keep them for future reference. Always consult a professional in advance, for choosing the right fastener for a secure mounting of the product. Take into account the weight of the product and the material of the mounting surface. If in doubt, consult a qualified or licensed electrician or contact your retail outlet. Ensure the product is always installed according to relevant regulations. Certain regulations indicate that electrical products must be installed only by a licensed electrician (e.g. Part P for the UK, AS/NZS3000 IN for AUSTRALIA /NEW ZEALAND). Always switch off the power prior to installation, maintenance or repair activities. Observe the correct colour of the wiring before installation: blue (N), brown (L) and if protection class I, yellow/green (earth). Mount wall lights out of children's reach. If the product is mounted on a metallic surface, this surface must be bonded to the protective earth conductor or to the equipotential bonding conductor of the installation. Always tighten the terminal screws firmly, especially attachments for low voltage wiring (12 V) (if applicable). It is highly recommended to regularly check and re-tighten the terminal screws over time. Keep packaging materials out of children's reach. (e.g. plastic bags,...). Maintain interior lighting with a dry cloth duster, do not use abrasives or solvents. Avoid liquids on all electrical parts. Immediately replace a cracked or broken translucent cover and only use manufacturer approved parts. It is advised to only use "WiZ"-branded bulbs.

☑ Please inform yourself about the local waste disposal, separation and collection system for electrical and electronic products and packaging. Please act according to your local rules and do not dispose your old product and packaging with your normal household waste. The correct disposal of the packaging, your product and/or batteries will help prevent potential negative consequences for the environment and human health. Batteries should be disposed separately from the municipal waste stream via designated collection facilities. When disposing a product that contains non-user replaceable batteries, the non-user replaceable batteries shall be removed by a professional.

**ATTENTION:** Below you will find all the explanations with numeric reference to the icons respectively in front of these safety instructions: 01) The product should only be installed indoors. 02) The product is not suitable for installation in bathrooms, certainly not in the specified zone. 03) The product is not suitable for direct mounting on normally flammable surfaces. 04) The product is not suitable for covering with thermally insulating material. 05) The product is only suitable for mounting on the ceiling. 06) The product is only suitable for mounting on the wall. 07) The product is suitable for mounting on the wall or on the ceiling. 08) Always take into consideration the minimum distance, as indicated on the icon, between the lamp and the lighted object. 09) IPX1: The product is protected against dripping water. IPX3: The product may be exposed to raindrops (falling drops under a maximum angle of 60° to the vertical axis). IPX4: The product is splash-proof; it may be exposed to splashing water coming from any direction (360°). IPX5: The product is protected against water jets. IPX7: The product can be installed into the ground. IPX8: The product is protected against immersion up to the indicated depth. - IPX5: The product is dust protected. IP6X: The product is dust tight. 10) Immediately replace a cracked or broken safety glass and only use borosilicate parts of the same dimensions, with a minimum thickness of 3 mm. 11) Protection class I: the product or component has an earthing connection. The earth wire (yellow/green) has to be connected to the terminal marked with class I logo. 12) Protection class II: the product or component is provided with double or reinforced insulation. 13) Protection class III: the product or component is only suitable for safety extra low voltage supply (<50V a.c., <120V d.c.). 14) Strip the wire as indicated on the icon. 15) The earthing wire always has to be longer than the brown line (L) and blue neutral (N) wire. 16) The use of the supplied heat-resistant sleeving is required over the unstripped wire lengths. 17) The product is only suitable for wiring directly to the electrical mains supply. 18) In case of damage to the wire: - X-connection; Replace it by a wire of the same type. - Y-connection; Only to be replaced by the manufacturer, distributor or by an expert, to avoid risks. - Z-connection: The cord cannot be replaced, the luminaire shall be destroyed. 19) MAX...W: only use bulbs suitable for this product and keep within the maximum specified wattage. 20) The product is only suitable for reflector bulbs. 21) The product is only suitable for CFL-I - or LED-bulbs (e.g. E14, E27, GU10, GX53, ...) 22) The product is not suitable for CFL-I - or LED-bulbs (e.g. E14, E27, GU10, GX53, ...) 23) Only a bulb with a diameter of 60 mm can be used. A bulb with a 45 mm diameter must not be used for this product. 24) Only use a globe bulb that has the size of the indicated diameter. Never use a standard incandescent bulb. 25) This product is only suitable for candle shaped bulbs. 26) The product is only suitable for a bulb with built-in safety or a low pressure bulb. An extra safety glass is not necessary. 27) Capsule and linear halogen bulbs may not be touched by bare hands. 28) The product is equipped with a fuse. If the product is out of order after bulb replacement, the internal fuse has to be replaced. This must be done by a qualified electrician if contact with internal wiring can be made. 29) The product is dimmable with the supplied dimmer or with a (not included) dimmer connected to the electrical installation of the home. For reference please visit "WiZconnected.com". Consult a qualified electrician for choosing the suitable dimmer type. 30) The product is not dimmable. 31) The product is dimmable with the supplied dimmer ONLY. Do not connect to an additional dimmer. 32) The dimmability features depend on the chosen lamp. More information on the dimmability features is available in the information pack provided with the bulb. 33) The product is working with a safety transformer. Replace a broken transformer only with a transformer with identical technical specifications. Consult a qualified electrician or your retail outlet. 34) Product for rough service. 35) Product with time and light setting options. Minimum and maximum is indicated on the icon. 36) The product can be mounted up to a maximum height of 6 m. 37) For reliable operation, you have to mount the product on the specified height as indicated on the icon. The maximum and minimum reach of the detector is also indicated. 38) The standard active range of vision of the detector covers the given degrees indicated on the icon. 39) This product should be mounted horizontally. For longer life, the bulb should not be at an angle greater than 4 degrees. 40) Ensure not to drill through electrical wires or any other obstruction in the wall or ceiling during installation! 41) If the product is mounted onto a ceiling-box or wall-box, it is obliged to cover the box with a lid first. (e.g. The Netherlands) 42) Electrical wiring may never be clamped or twisted between the product and the mounting surface! 43) Parts of this product may get hot. 44) This product is not suitable for children under Y years. 45) The product is only suitable for persons above Y years. 46) Mount the product out of arm reach (X1: for children, X2: for adults). 47) Product to be installed by two people. 48) To avoid corrosion, clean the luminaire a minimum of 2 times per year with a soft cloth and a neutral detergent.(4 times in coastal or industrial areas). 49) The product is only settable during installation by means of a tool. 50) Caution: Risk of electric shock! The light

Source contained in this luminaire shall only be replaced by the manufacturer or his service agent or a similar qualified person.  
51) Replaceable (LED only) light source by an end-user. 52) Replaceable light source by an end-user. 53) Replaceable (LED only) light source by a professional. The LED light source contained in this luminaire shall only be replaced by the manufacturer or its service agent or a similar qualified person. 54) Replaceable light source by a professional: The light source contained in this luminaire shall only be replaced by the manufacturer or its service agent or a similar qualified person. 55) Non-replaceable light source: The light source of this luminaire is not replaceable: when the light source reaches its end of life the whole luminaire shall be replaced. 56) Replaceable control gear by an end-user. 57) Replaceable control gear by a professional. 58) Non-replaceable control gear. 59) Do not use the control device with wet hands, in areas directly exposed to water or outdoors. 60) Do not stare at the operating light source.

**Energy Labelling Regulation (EU)2019/2015:** 61) This product contains a light source of energy efficiency class A. 62) This product contains a light source of energy efficiency class B. 63) This product contains a light source of energy efficiency class C. 64) This product contains a light source of energy efficiency class D. 65) This product contains a light source of energy efficiency class E. 66) This product contains a light source of energy efficiency class F. 67) This product contains a light source of energy efficiency class G  
This product is specifically designed and developed for domestic use in normal conditions and operation only. The lifetime mentioned on the packaging is an average only (in accordance with standards L70B50 and IEC60969 norms) and is based on an average of 3 burning hours per day. If you encounter any difficulties with the use of the product, we recommend that you first consult the user manual and the information on our website. Subject to the terms and conditions hereof, we as the manufacturer (Signify Netherlands B.V., International Business Reply Service I.B.R.S. / C.C.R.I. Numéro 10461 5600 VB Eindhoven, The Netherlands) warrant that the product is free from defects in materials and workmanship for a period of two (2) years after the date of purchase, unless a different period is stated in or on the packaging of the product and subject to maintenance of the product in accordance with the care and cleaning instructions laid down in the user manual. Unless statutory provisions of applicable law regulate otherwise, our obligations under warranty will be limited, at our option, to either repair, to provide a replacement product for the defective product or to offer an appropriate credit for the purchase price for the defective product. (De)mounting and/or (de)installation and labour costs are excluded from warranty, as well as broken glass, batteries and replaceable bulbs. Our remedies under warranty will not extend or renew the original applicable warranty period. We are entitled, at our option, to replace the defective product covered by warranty, with a product that has minor deviations in design and/or specifications which do not affect the functionality of the product. In order to be entitled to make a valid claim under this warranty, you must present to us (or our representative) on request, an adequate receipt of your purchase and the defective product for analysis. To the maximum extent permitted by applicable law, this policy sets out our entire liability as the manufacturer, in connection with defective or non-conforming products. We will not be liable to you for other losses or indirect or consequential damages (including but not limited to loss of data or loss of income), nor compensate you for activities such as regular maintenance, saving or restoring data. Your statutory rights arising from applicable law are not affected by this voluntarily provided manufacturer's warranty. If you offer your product for service in a country other than the country where you purchased the product, we will try to have your product serviced against the warranty terms of the country where you purchased the product.

#### **Installation steps**

Please refer to installation manual for detail step.

Launch WIZ app to connect the product (Please refer to Quick Start Guide for more detail operation of WIZ app).

#### **Warranty**

Warranty is subject to strict conditions of use, for more information, please visit our website:

<https://www.wizconnected.com/en/consumer/support/>

#### **Wireless specification:**

Wireless RF mode frequency band: 2400 – 2483.5 MHz

Maximum transmitted power:

Wi-Fi: Max 20 dBm

Bluetooth: Max 10 dBm

Products shall not be used with dimmers, for dimming use the WIZ application.

On/off functionality available without Wi-Fi connectivity.

Hereby, Signify declares that the radio equipment type WIZ luminaires are in compliance with Directive 2014/53/EU (RED). The full text of the EU declaration of conformity is available at the following internet address: [wizconnected.com](http://wizconnected.com).

Hereby, Signify declares that the radio equipment type WIZ luminaires are in compliance with the Radio Equipment Regulations 2017 (S.I. 2017/1206). The full text of the UK declaration of conformity is available at the following internet address: [wizconnected.com](http://wizconnected.com).

Wi-Fi®, the Wi-Fi CERTIFIED logo are registered trademarks of Wi-Fi Alliance.

Wi-Fi CERTIFIED™, WPA2™, WPA3™ are trademarks of Wi-Fi Alliance.

The Bluetooth® word and logos are registered trademarks owned by Bluetooth SIG, INC.

Amazon, Alexa and all related logos are trademarks of Amazon.com, Inc or its affiliates.

Google is a trademark of Google LLC. Siri is a registered trademark of Apple Inc.


Any use of such marks by Signify is under license.

Other trademarks and trade names are those of their respective owners.

#### **UK - REGULATION**

Thank you for purchasing this WIZ product, we highly appreciate your choice for the WIZ brand and wish you lots of pleasure using your

product. This manual B contains definitions of all potentially applicable parameters & specifications with icons, as per International norms and safety standards. However not all of them may be applicable for the product you purchased - please refer to the icons in the Manual A, for the ones which are particularly applicable for this product.

 Please inform yourself about the local waste disposal, separation and collection system for electrical and electronic products and packaging. Please act according to your local rules and do not dispose your old product and packaging with your normal household waste. The correct disposal of the packaging, your product and/or batteries will help prevent potential negative consequences for the environment and human health. Batteries should be disposed separately from the municipal waste stream via designated collection facilities. When disposing a product that contains non-user replaceable batteries, the non-user replaceable batteries shall be removed by a professional.

**UK Energy Information Regulation:** 61) This product contains a light source of energy efficiency class A. 62) This product contains a light source of energy efficiency class B. 63) This product contains a light source of energy efficiency class C. 64) This product contains a light source of energy efficiency class D. 65) This product contains a light source of energy efficiency class E. 66) This product contains a light source of energy efficiency class F. 67) This product contains a light source of energy efficiency class G.

This product is specifically designed and developed for domestic use in normal conditions and operation only. The lifetime mentioned on the packaging is an average only (in accordance with standards L70B50 and IEC60969 norms) and is based on an average of 3 burning hours per day. If you encounter any difficulties with the use of the product, we recommend that you first consult the user manual and the information on our website. Subject to the terms and conditions hereof, we as the manufacturer (Signify Netherlands B.V., International Business Reply Service I.B.R.S. / C.C.R.I. Numéro 10461 5600 VB Eindhoven, The Netherlands) warrant that the product is free from defects in materials and workmanship for a period of two (2) years after the date of purchase, unless a different period is stated in or on the packaging of the product and subject to maintenance of the product in accordance with the care and cleaning instructions laid down in the user manual. Unless statutory provisions of applicable law regulate otherwise, our obligations under warranty will be limited, at our option, to either repair, to provide a replacement product for the defective product or to offer an appropriate credit for the purchase price for the defective product. (De)mounting and/or (de)installation and labour costs are excluded from warranty, as well as broken glass, batteries and replaceable bulbs. Our remedies under warranty will not extend or renew the original applicable warranty period. We are entitled, at our option, to replace the defective product covered by warranty, with a product that has minor deviations in design and/or specifications which do not affect the functionality of the product. In order to be entitled to make a valid claim under this warranty, you must present to us (or our representative) on request, an adequate receipt of your purchase and the defective product for analysis. To the maximum extent permitted by applicable law, this policy sets out our entire liability as the manufacturer, in connection with defective or non-conforming products. We will not be liable to you for other losses or indirect or consequential damages (including but not limited to loss of data or loss of income), nor compensate you for activities such as regular maintenance, saving or restoring data. Your statutory rights arising from applicable law are not affected by this voluntarily provided manufacturer's warranty. If you offer your product for service in a country other than the country where you purchased the product, we will try to have your product serviced against the warranty terms of the country where you purchased the product. To obtain service within the warranty period, please contact your dealer or the Philips Consumer Care center. Signify Commercial UK Limited, Unit 3, Guildford Business Park, Guildford, Surrey, GU2 8XG, United Kingdom.

### Installation steps

Please refer to installation manual for detail step.

Launch WiZ app to connect the product (Please refer to Quick Start Guide for more detail operation of WiZ app).

### Warranty

Warranty is subject to strict conditions of use, for more information, please visit our website:

<https://www.wizconnected.com/en/consumer/support/>

### Wireless specification:

Wireless RF mode frequency band: 2400 – 2483.5 MHz

Maximum transmitted power:

Wi-Fi: Max 20 dBm

Bluetooth: Max 10 dBm

Products shall not be used with dimmers, for dimming use the WiZ application.

On/off functionality available without Wi-Fi connectivity.

Hereby, Signify declares that the radio equipment type WiZ luminaires are in compliance with Directive 2014/53/EU (RED). The full text of the EU declaration of conformity is available at the following internet address: [wizconnected.com](http://wizconnected.com).

Hereby, Signify declares that the radio equipment type WiZ luminaires are in compliance with the Radio Equipment Regulations 2017 (S.I. 2017/1206). The full text of the UK declaration of conformity is available at the following internet address: [wizconnected.com](http://wizconnected.com).

Wi-Fi®, the Wi-Fi CERTIFIED logo are registered trademarks of Wi-Fi Alliance.

Wi-Fi CERTIFIED™, WPA2™, WPA3™ are trademarks of Wi-Fi Alliance.

The Bluetooth™ word and logos are registered trademarks owned by Bluetooth SIG, INC.

Amazon, Alexa and all related logos are trademarks of Amazon.com, Inc or its affiliates.

Google is a trademark of Google LLC. Siri is a registered trademark of Apple Inc.

Any use of such marks by Signify is under license.

Other trademarks and trade names are those of their respective owners.



## DE - SICHERHEITSHINWEISE

Vielen Dank, dass Sie sich für den Kauf eines Produkts der Marke WIZ entschieden haben. Wir wünschen Ihnen viel Freude mit Ihrem Produkt. Das vorliegende Handbuch B beinhaltet die Definitionen aller grundsätzlich geltenden Parameter und Spezifikationen mit Symbolen gemäß internationalen, Normen und Sicherheitsstandards. Diese können jedoch auf Ihr erworbenes Produkt nur teilweise zutreffen. Im beiliegenden Handbuch A werden alle Symbole dargestellt, die speziell für dieses Produkt gültig sind.

Der Hersteller verweist auf die korrekte Verwendung der Beleuchtungskörper! Befolgen Sie daher immer diese Anweisungen, um eine korrekte und sichere Installation und den ebensolchen Betrieb der Beleuchtungskörper, und bewahren Sie die Anweisungen zum zukünftigen Nachschlagen auf. Wenden Sie sich zunächst immer an einen Experten, um die richtige Befestigung für eine sichere Montage des Produkts zu gewährleisten. Berücksichtigen Sie dabei das Gewicht des Produkts sowie die Beschaffenheit der Montageoberfläche. Ziehen Sie im Zweifelsfall einen qualifizierten bzw. lizenzierten Elektriker zu Rate, oder wenden Sie sich an Ihren Einzelhändler. Installieren Sie das Produkt stets unter Beachtung der entsprechenden Vorschriften. Einige Vorschriften fordern, dass elektrische Produkte nur von einem lizenzierten Elektriker installiert werden (z. B. Part P für GB, AS/NZS3000 in für AUSTRALIEN/NEUSEELAND). Schalten Sie die Stromversorgung vor Installations-, Wartungs- und Reparaturarbeiten stets ab. Achten Sie vor der Installation auf die richtige Farbe der Leitungen: blau (N), braun (L) und, bei Schutzklasse I, gelb/grün (Erde). Montieren Sie Wandleuchten außerhalb der Reichweite von Kindern. Wenn das Produkt an einer Metalloberfläche angebracht wird, muss diese mit dem Schutzleiter oder dem Potenzialausgleichsleiter der Installation verbunden sein. Ziehen Sie die Klemmschrauben immer fest an, insbesondere bei Befestigungen für Niedervoltspannung (12 V) (sofern zutreffend). Es wird nachdrücklich empfohlen, die Klemmschrauben regelmäßig zu überprüfen und nachzuziehen. Verpackungsmaterialien dürfen nicht in die Hände von Kindern gelangen (z. B. Kunststoffbeutel usw.). Pflegen Sie die Beleuchtung in geschlossenen Räumen mit einem trockenen Reinigungstuch. Verwenden Sie keine Scheuer- oder Lösungsmittel. Vermeiden Sie den Kontakt von Flüssigkeiten mit elektrischen Teilen. Tauschen Sie gesprungene oder gebrochene transparente Abdeckungen sofort aus, und verwenden Sie ausschließlich vom Hersteller geprüfte Ersatzteile. Es wird empfohlen, nur Lampen der Marke WIZ zu verwenden.

Bitte erkundige Dich nach dem örtlichen Entsorgungs-, Trenn- und Sammelsystem für elektrische und elektronische Produkte und Verpackungen. Richte Dich bitte nach den geltenden Vorschriften in Deinem Land und entsorge Deine Altgeräte nicht über Deinen Haushaltsabfall. Durch die korrekte Entsorgung der Verpackung, Deines Produkts und/oder der Batterien/Akkus werden Umwelt und Menschen vor möglichen negativen Folgen geschützt. Batterien/Akkus müssen separat vom städtischen Abfallsystem über dafür vorgesehene Sammelstellen entsorgt werden. Bei der Entsorgung eines Produkts, das nicht vom Benutzer austauschbare Batterien/Akkus enthält, sollten die nicht vom Benutzer austauschbaren Batterien/Akkus von einer fachkundigen Person entfernt werden. Weitere Informationen über die Entsorgung Ihres Produktes und der Batterien finden Sie unter [www.signify.com/de-de/sustainability](http://www.signify.com/de-de/sustainability).

**WICHTIG:** Im Folgenden werden alle Erläuterungen mit Zahlenreferenz zu den jeweiligen Symbolen vor den nachstehenden Sicherheitsanweisungen angegeben: 01) Das Produkt sollte ausschließlich in geschlossenen Räumen installiert werden. 02) Das Produkt ist nicht für die Installation in Badezimmern, speziell im angegebenen Bereich, geeignet. 03) Das Produkt ist nicht für das direkte Anbringen an normal entflammbaren Oberflächen geeignet. 04) Das Produkt ist nicht für die Abdeckung mit Wärmedämmmaterial geeignet. 05) Das Produkt ist ausschließlich für das Anbringen an der Decke geeignet. 06) Das Produkt ist ausschließlich für das Anbringen an der Wand geeignet. 07) Das Produkt ist für das Anbringen an der Wand oder der Decke geeignet. 08) Berücksichtigen Sie stets den im Symbol angegebenen Mindestabstand zwischen der Lampe und dem beleuchteten Objekt. 09) IPX1: Das Produkt ist vor Tropfwasser geschützt. IPX3: Das Produkt ist vor Regentropfen geschützt (Tropfen, die mit einem Winkel von maximal 60° zur vertikalen Achse fallen). IPX4: Das Produkt ist spritzgeschützt: es ist vor Sprühwasser aus allen Richtungen geschützt (360°). IPX5: Das Produkt ist vor Wasserstrahlen geschützt. IPX7: Das Produkt kann im Boden installiert werden. IPX8: Das Produkt ist vor Eintauchen bis zu einer angegebenen Tiefe geschützt. • IPX5: Das Produkt ist staubgeschützt. IPX6: Das Produkt ist staubdicht. 10) Ersetzen Sie gesprungenes oder gebrochenes Sicherheitsglas, und verwenden Sie ausschließlich Borosilikatersatzteile mit den gleichen Maßen und einer Mindestdicke von 3 mm.

11) Schutzklasse I: Das Produkt bzw. die Komponente hat einen Schutzleiter. Dieser Schutzleiter (gelb/grün) muss an den Anschluss mit der Kennzeichnung angebracht werden. 12) Schutzklasse II: Das Produkt bzw. die Komponente weist eine doppelte oder verstärkte Isolierung auf. 13) Schutzklasse III: Das Produkt bzw. die Komponente ist nur für den Betrieb mit Schutzkleinspannung geeignet (< 50 V / Wechselspannung, < 120 V Gleichspannung). 14) Isolieren Sie den Leiter wie im Symbol dargestellt ab. 15) Der Schutzleiter muss immer länger als die braune Phase (L) und der blaue Neutralleiter (N) sein. 16) Die mitgelieferte hitzebeständige Umhüllung muss über den nicht abisolierten Leitungen verwendet werden. 17) Das Produkt ist ausschließlich für die direkte Verdrähtung mit der elektrischen Stromversorgung geeignet. 18) • X-Verbindung: Falls die Leitung beschädigt ist, muss sie durch eine Leitung des gleichen Typs ersetzt werden. • Y-Verbindung: Falls die Leitung beschädigt ist, darf diese nur vom Hersteller, dem Händler oder einem Experten ersetzt werden, um Risiken zu vermeiden. • Z-Verbindung: Das externe flexible Kabel dieser Leuchte kann nicht ersetzt werden. Wenn das Kabel beschädigt ist, muss die Leuchte entsorgt werden. 19) MAX. ...W: Verwenden Sie nur Lampen, die für dieses Produkt geeignet sind, und berücksichtigen Sie die angegebene maximale Wattleistung. 20) Das Produkt ist ausschließlich für Reflektorlampen geeignet. 21) Das Produkt ist ausschließlich für CFL- oder LED-Lampen geeignet (z. B. E14, E27, Gu10, Gx53 usw.). 22) Das Produkt ist nicht für CFL- oder LED-Lampen geeignet (z. B. E14, E27, Gu10, Gx53 usw.). 23) Es können ausschließlich Lampen mit einem Durchmesser von 60 mm verwendet werden. Eine Lampe mit einem Durchmesser von 45 mm darf nicht für dieses Produkt verwendet werden. 24) Verwenden Sie nur eine Globe-Lampe mit den angegebenen Maßen. Verwenden Sie keine Standardlampe. 25) Dieses Produkt ist ausschließlich für kerzenförmige Lampen geeignet. 26) Das Produkt ist nur für Lampen mit eingebauter Sicherheitsfunktion oder für Niederdrucklampen geeignet. Ein zusätzliches Sicherheitsglas ist nicht notwendig. 27) Brenner- und Stab-Halogenlampen dürfen nicht mit bloßen Händen berührt werden. 28) Das Produkt ist mit einer Sicherung ausgestattet. Wenn das Produkt nach einem Lampenwechsel nicht mehr funktioniert, muss die interne Sicherung ausgewechselt werden. Dies darf nur von einem qualifizierten Elektriker durchgeführt werden, wenn ein Kontakt mit der internen Verdrahtung möglich ist. 29) Das Produkt ist mit dem mitgelieferten Dimmer oder mit einem (nicht mitgelieferten) Dimmer, der an das Stromnetz im Haus angeschlossen ist, dimmbar. Weitere Informationen erhalten Sie unter "WiZconnected.com". Wenden Sie sich an einen qualifizierten Elektriker, um Informationen zum geeigneten Dimmertyp zu erhalten. 30) Das Produkt ist nicht dimmbar. 31) Das Produkt kann NUR über den Lieferumfang enthaltenen Dimmer gedimmt werden. Verbinden Sie keinen zusätzlichen Dimmer. 32) Die Dimmbarkeitsseigenschaften sind je nach gewählter Lampe unterschiedlich. Weitere Informationen zu den Dimmbarkeitsseigenschaften

finden Sie im Informationspaket, das im Lieferumfang der Lampe enthalten ist. 33) Das Produkt wird mit einem Sicherheitstransformator geliefert. Ersetzen Sie beschädigte Transformatoren nur durch Transformatoren mit identischen technischen Daten. Wenden Sie sich an einen qualifizierten Elektriker oder Ihren Einzelhändler. 34) Produkt für anspruchsvolle Anwendungen. 35) Produkt mit verschiedenen Optionen zur Uhrzeit- und Lichteinstellung. Mindest- und Höchstwerte sind im Symbol angegeben. 36) Das Produkt kann bis zu einer maximalen Höhe von 6 m angebracht werden. 37) Für einen zuverlässigen Betrieb müssen Sie das Produkt auf der im Symbol angegebenen Höhe anbringen. Die Höchst- und Mindestreichweite des Bewegungsmelders wird ebenfalls angegeben. 38) Die standardmäßige Erkennungsreichweite des Bewegungsmelders wird anhand der Gradzahl im Symbol angegeben. 39) Dieses Produkt sollte horizontal angebracht werden. Um eine längere Gebrauchsdauer zu gewährleisten, sollte die Lampe nicht in einem Winkel von über 4 Grad geneigt sein. 40) Vergewissern Sie sich, dass Sie beim Bohren keine elektrischen Leitungen oder andere in der Wand oder der Decke befindlichen Hindernisse beschädigen. 41) Wenn das Produkt an einer Decken- oder Wanddose angebracht wird, muss diese vorher mit einem Deckel verschlossen werden (z. B. Niederlande). 42) Elektrische Leitungen dürfen zwischen dem Produkt und der Oberfläche niemals eingeklemmt oder verdreht werden. 43) Teile dieses Produkts können heiß werden. 44) Dieses Produkt ist nicht für Kinder unter 7 Jahren geeignet. 45) Das Produkt ist nur für Personen über 7 Jahren geeignet. 46) Bringen Sie das Produkt außer Reichweite an (X1: für Kinder, X2: für Erwachsene). 47) Produkt von zwei Personen zu montieren. 48) Um Korrosion zu vermeiden, reinigen Sie das Gehäuse mindestens 2x pro Jahr (z.B. 4x pro Jahr in Küsten- und Industriegebieten) mit einem weichen Tuch und neutralen Reinigungsmittel. 49) Das Produkt kann nur während der Installation mit einem Werkzeug eingestellt werden. 50) Achtung: Stromschlaggefahr! Die Lichtquelle in dieser Leuchte darf nur vom Hersteller bzw. von dessen Kundendienst oder einer ähnlich qualifizierten Person ausgetauscht werden. 51) Von Endanwender austauschbare Lichtquelle (nur LED). 52) Von Endanwender austauschbare Lichtquelle. 53) Nur von einer Fachkraft auszutauschende Lichtquelle (nur LED). Die LED-Lichtquelle in dieser Leuchte darf nur vom Hersteller bzw. von dessen Kundendienst oder einer ähnlich qualifizierten Person ausgetauscht werden. 54) Nur von einer Fachkraft auszutauschende Lichtquelle: Die Lichtquelle in dieser Leuchte darf nur vom Hersteller bzw. von dessen Kundendienst oder einer ähnlich qualifizierten Person ausgetauscht werden. 55) Nicht austauschbare Lichtquelle: Die Lichtquelle in dieser Leuchte ist nicht austauschbar. Wenn die Lichtquelle das Ende ihrer Lebensdauer erreicht hat, muss die gesamte Leuchte ausgetauscht werden. 56) Von Endanwender austauschbares Vorschaltgerät. 57) Von Fachkraft auszutauschendes Vorschaltgerät. 58) Nicht austauschbares Vorschaltgerät. 59) Verwenden Sie das Steuergerät nicht mit nassen Händen, in Bereichen, wo es direktem Wasser ausgesetzt ist, oder im Freien. 60) Blicken Sie nicht in die in Betrieb befindliche Lichtquelle

**Verordnung zur Energieverbrauchskennzeichnung (EU)2019/2015:** 61) Dieses Produkt enthält eine Lichtquelle der Energieeffizienzklasse A 62) Dieses Produkt enthält eine Lichtquelle der Energieeffizienzklasse B. 63) Dieses Produkt enthält eine Lichtquelle der Energieeffizienzklasse C. 64) Dieses Produkt enthält eine Lichtquelle der Energieeffizienzklasse D. 65) Dieses Produkt enthält eine Lichtquelle der Energieeffizienzklasse E. 66) Dieses Produkt enthält eine Lichtquelle der Energieeffizienzklasse F. 67) Dieses Produkt enthält eine Lichtquelle der Energieeffizienzklasse G. Dieses Produkt wurde speziell für den Gebrauch in einer häuslichen Umgebung, ausschließlich unter Standardbedingungen und für den Standardbetrieb konzipiert und entwickelt. Bei der auf der Verpackung angegebenen Nutzungsdauer handelt es sich um einen Durchschnittswert (gemäß den Standards 170B50 und den IEC60969-Normen), der auf einer durchschnittlichen Brenndauer von drei Stunden pro Tag basiert. Sollten Sie Schwierigkeiten bei der Verwendung des Produkts haben, empfehlen wir Ihnen, zunächst die Bedienungsanleitung und die Informationen auf unserer Website zu Rate zu ziehen. Gemäß den vorliegenden Bedingungen garantieren wir als Hersteller (Signify Netherlands B.V., International Business Reply Service I.B.R.S. / C.C.R.I. Numéro 10461 5600 VB Eindhoven, Niederlande), dass das Produkt für einen Zeitraum von zwei Jahren ab dem Kaufdatum frei von Material- und Verarbeitungsfehlern ist, es sei denn, in oder auf der Verpackung des Produkts ist ein anderer Zeitraum angegeben, und vorausgesetzt, dass die Wartung des Produkts gemäß den in der Bedienungsanleitung angegebenen Anweisungen für die Pflege und Reinigung erfolgt. Sofern nicht anders durch geltende Gesetze vorgeschrieben, sind unsere Garantiepflichten nach unserer Wahl entweder auf die Reparatur, die Bereitstellung eines Ersatzproduktes für das fehlerhafte Produkt oder das Anbieten einer angemessenen Gutschrift über den Kaufpreis des fehlerhaften Produkts beschränkt. (De)Montage und/oder (De)Installation und Arbeitskosten sind von der Garantie ausgeschlossen, ebenso wie Glasbruch, Akkus und Leuchtmittel. Unsere Nachbesserung gemäß der Garantie verlängern oder erneuern die ursprünglich anwendbare Garantiedauer nicht. Wir sind berechtigt, das fehlerhafte, von der Garantie abgedeckte Produkt nach unserer Wahl durch ein Produkt zu ersetzen, das geringfügige Abweichungen im Design und/oder in den technischen Daten aufweist, durch die die Funktionalität des Produkts nicht beeinträchtigt wird. Um berechtigt zu sein, einen gültigen Anspruch gemäß dieser Garantie geltend zu machen, müssen Sie uns (oder unserem Vertreter) auf Anfrage einen angemessenen Kaufbeleg und das fehlerhafte Produkt zur Analyse vorlegen. Im vollen von der Rechtsprechung zugelassenen Rahmen regelt diese Richtlinie unsere gesamte Haftung als Hersteller im Zusammenhang mit fehlerhaften oder nicht konformen Produkten. Wir sind Ihnen gegenüber weder haftbar für andere Verluste oder Folgeschäden (einschließlich, jedoch nicht beschränkt auf Datenverlust oder Einkommensverlust), noch werden wir Sie für Aktivitäten wie die regelmäßige Wartung, Sicherung oder Wiederherstellung von Daten entschädigen. Der Ausschluss findet keine Anwendung im Falle der Verletzung des Lebens, des Körpers oder der Gesundheit, im Falle des Vorsatzes und der groben Fahrlässigkeit, der Produkthaftung und bei Verletzung wesentlicher Pflichten, die die Erreichung des Garantiezwecks gefährden. Ihre Gewährleistungsrechte gegenüber dem Verkäufer, die sich aus den geltenden Gesetzen ergeben, werden durch diese freiwillig gewährte Herstellergarantie nicht beeinträchtigt. Wenn Sie Ihr Produkt in einem anderen Land als in dem Land, in dem Sie das Produkt erworben haben, zur Wartung anbieten, werden wir versuchen, Ihr Produkt gemäß den Garantiebestimmungen des Landes, in dem Sie das Produkt erworben haben, zu warten.

### Installationschritte

Beachten Sie bitte das Installationshandbuch für weitere Details.

Starten Sie die WIZ-App, um das Produkt zu verbinden (Weitere Informationen zur Bedienung der WIZ-App finden Sie in der Kurzanleitung.)

### Garantie

Die Garantie unterliegt strengen Nutzungsbedingungen. Weitere Informationen finden Sie auf unserer Website:

<https://www.wizconnected.com/en/consumer/support/>

### Drahtlos-Spezifikationen:

Frequenzband des Drahtlos-Funkmodus, 2400 - 2483,5 MHz

Maximale übertragene Leistung:

WLAN: Max 20 dBm

Bluetooth: Max 10 dBm

Produkte dürfen nicht mit Dimmern verwendet werden. Zum Dimmen bitte die WiZ-Anwendung nutzen.

Ein/Aus-Funktion ohne WLAN-Verbindung möglich.

Hiermit erklärt Signify, dass der Funkgerätetyp WiZ-Leuchten der Richtlinie 2014/53/EU (RED) entspricht. Der vollständigen Text der EU-Konformitätserklärung befindet sich unter der folgenden Internetadresse: [www.connected.com](http://www.connected.com)

Wi-Fi® und das ZERTIFIZIERTE Wi-Fi-Logo sind eingetragene Warenzeichen der Wi-Fi Alliance.

Wi-Fi CERTIFIED™, WPA2™, WPA3™ sind Marken der Wi-Fi Alliance.

Bluetooth® in Wort und Bild sind eingetragene Marken der Bluetooth SIG, INC.

Amazon, Alexa und alle zugehörigen Logos sind Marken von Amazon.com, Inc oder seinen verbundenen Unternehmen.

Google ist eine Marke von Google LLC. Siri ist eine eingetragene Marke von Apple Inc.

Jegliche Verwendung dieser Marken von Signify erfolgt unter Lizenz.

Andere Marken und Handelsnamen sind die ihrer jeweiligen Eigentümer.

## FR - INSTRUCTIONS DE SÉCURITÉ

Merci d'avoir acheté ce produit WiZ, nous apprécions grandement votre confiance en la marque WiZ et vous souhaitons beaucoup de plaisir lors de l'utilisation de votre produit. Ce manuel B contient les définitions de tous les paramètres et de toutes les caractéristiques techniques potentiellement applicables sous forme d'icônes, conformément aux normes internationales et aux normes de sécurité.

Cependant, ces paramètres et caractéristiques ne s'appliquent peut-être pas tous au produit que vous avez acheté : veuillez consulter les icônes sur le manuel A pour savoir lesquels correspondent à ce produit.

Le fabricant recommande une utilisation correcte des luminaires ! Par conséquent, suivez toujours ces consignes pour garantir une installation et un fonctionnement corrects et sûrs du luminaire, et conservez-les pour pouvoir les consulter ultérieurement. Consultez toujours un professionnel pour choisir l'attache adéquate pour une fixation sécurisée du produit. Prenez en compte le poids du produit et les matériaux de la surface de fixation. En cas de doute, consultez un électricien qualifié ou sous licence ou contactez votre revendeur.

Assurez-vous que le produit est toujours installé conformément aux réglementations applicables. Certaines réglementations stipulent que les produits électriques doivent être installés par un électricien qualifié (réglementations « Part P » pour le Royaume-Uni, IAS/NZS3000 IN pour l'Australie et la Nouvelle Zélande, etc.). Mettez toujours l'appareil hors tension avant toute opération d'installation, d'entretien ou de réparation. Soyez attentif à la couleur des câbles avant l'installation : bleu (N), marron (L) et jaune/vert (masse) si l'appareil appartient à la classe I. Installez les appliques murales hors de portée des enfants. Si vous fixez le produit sur une surface métallique, celle-ci doit être reliée au conducteur de terre ou au conducteur d'équipotentialité de l'installation pour des raisons de sécurité. Veillez à toujours bien serrer les vis de borne, en particulier pour les accessoires des installations à basse tension (12 V) (le cas échéant). Il est fortement recommandé de contrôler et de resserrer régulièrement les vis de borne au fil du temps. Conservez les matériaux d'emballage hors de portée des enfants. (sacs en plastique, etc.) Entretenez l'éclairage intérieur avec un chiffon en tissu sec, n'utilisez pas d'abrasifs ni de solvants. Évitez tout contact des pièces électriques avec des liquides. Un cache translucide fissuré ou cassé doit immédiatement être remplacé. Utilisez exclusivement des pièces de rechange approuvées par le fabricant. Il est recommandé d'utiliser uniquement des ampoules de marque « WiZ ».

⚠️ Veuillez vous informer sur le système de collecte local, et sur la procédure de tri et de collecte des produits électriques et électroniques, et des emballages. Veuillez vous conformer aux consignes locales, et ne jetez pas votre ancien produit et son emballage avec les ordures ménagères. En respectant ces consignes pour mettre au rebut l'emballage, le produit et/ou les piles, vous contribuez à respecter l'environnement et la santé des personnes. Les piles ne doivent pas être mêlées aux ordures ordinaires, mais jetées sur des sites séparés prévus à cet effet. Lorsque vous mettez au rebut un produit contenant des piles non remplaçables, celles-ci doivent être retirées par un professionnel.

**ATTENTION :** vous trouverez ci-dessous toutes les explications avec le numéro de référence de chaque icône en face de ces instructions de sécurité : 01) Le produit doit uniquement être installé en intérieur. 02) Le produit ne doit pas être installé dans une salle de bain, en particulier dans la zone indiquée. 03) Le produit ne doit pas être fixé sur une surface inflammable standard. 04) Le produit ne doit pas être recouvert avec un matériau d'isolation thermique. 05) Le produit peut uniquement être fixé au plafond. 06) Le produit peut uniquement être fixé à un mur. 07) Le produit peut être installé sur un mur ou un plafond. 08) Tenez toujours compte de la distance minimale, telle qu'indiquée sur l'icône, entre la lampe et l'objet éclairé. 09) IPX1 : le produit est protégé contre les ruissellements d'eau. IPX3 : le produit peut être exposé à la pluie (tombant à un angle inférieur à 60° de la verticale). IPX4 : l'appareil est résistant aux projections : il peut être exposé aux projections d'eau provenant de toutes les directions (360°). IPX5 : le produit est protégé contre les jets d'eau. IPX7 : le produit peut être installé dans le sol. IPX8 : le produit est protégé contre l'immersion jusqu'à la profondeur indiquée. • IP5X : le produit est protégé contre les poussières. IP6X : le produit est étanche aux poussières. 10) Tout verre de sécurité fissuré ou cassé doit immédiatement être remplacé.

Utilisez exclusivement des pièces en verre borosilicaté de mêmes dimensions, d'une épaisseur minimale de 3 mm. 11) Protection de classe I : le produit ou composant est équipé d'une prise de terre. Le câble de terre (jaune/vert) doit être connecté à la borne marquée du symbole protection de classe I. 12) Protection de classe II : le produit ou composant est fourni avec une isolation double ou renforcée. 13) Protection de classe III : le produit ou composant n'est utilisable qu'avec une alimentation à très basse tension de sécurité (< 50 V en courant alternatif ; < 120 V en courant continu). 14) Dénezuez le câble, comme indiqué sur le schéma. 15) Le câble de terre doit toujours être plus long que le câble de phase marron (L) et le câble neutre bleu (N). 16) L'utilisation de la gaine résistante à la chaleur fournie est requise sur les portions de câble non dénudées. 17) Le produit peut uniquement être branché directement sur le secteur. 18) • Connexion X : si le câble est endommagé, il doit être remplacé par un câble de même type. • Connexion Y : si le câble est endommagé, il ne peut être remplacé que par le fabricant, par le distributeur ou par un expert, afin d'éviter tout risque. • Connexion Z : le câble ou cordon flexible externe de ce luminaire ne peut être

remplacé. Si le cordon est endommagé, le luminaire doit être détruit. 19) MAX. 20 W : Utilisez uniquement les ampoules adaptées à ce produit et assurez-vous qu'elles ne dépassent pas la puissance maximale indiquée. 20) Le produit est uniquement utilisable avec des ampoules à réflecteur. 21) Le produit fonctionne uniquement avec les ampoules CFL-I ou LED (E14, E27, GU10, Gx53, etc.). 22) Le produit n'est pas adapté aux ampoules CFL-I ou LED (E14, E27, GU10, Gx53, etc.). 23) Seules les ampoules dont le diamètre est de 60 mm peuvent être utilisées. Ce produit ne doit pas être utilisé avec une ampoule de 45 mm de diamètre. 24) Utilisez uniquement les ampoules globes dont le diamètre correspond à celui indiqué. N'utilisez jamais d'ampoule à incandescence standard. 25) Ce produit est uniquement destiné aux ampoules en forme de flamme. 26) Ce produit est uniquement destiné aux ampoules avec sécurité intégrée et aux ampoules basse pression. Il n'est pas nécessaire d'utiliser un verre de sécurité supplémentaire. 27) Les ampoules halogènes capsules et linéaires ne doivent pas être touchées à main nue. 28) Ce produit est doté d'un fusible. Si le produit est hors d'usage après un changement d'ampoule, le fusible interne doit être remplacé. Cette opération doit être réalisée par un électricien qualifié si un risque de contact avec le circuit électrique interne existe. 29) L'intensité lumineuse de ce produit est réglable avec le variateur fourni ou à l'aide d'un variateur connecté à l'installation électrique de votre maison (non inclus). Pour plus d'informations, rendez-vous sur « [WIZconnected.com](http://WIZconnected.com) ». Consultez un électricien qualifié pour choisir le type de variateur adapté. 30) L'intensité lumineuse du produit n'est pas variable. 31) L'intensité lumineuse du produit est variable avec le variateur fourni UNIQUEMENT. Ne connectez pas de variateur supplémentaire. 32) Les fonctionnalités de réglage de l'intensité dépendent de l'ampoule choisie. De plus amples informations sur les fonctions de gradabilité sont disponibles dans le pack d'informations fourni avec l'ampoule. 33) Le produit fonctionne avec un transformateur de sécurité. Ne remplacez un transformateur endommagé que par un transformateur présentant les mêmes spécifications techniques. Consultez un électricien qualifié ou votre revendeur. 34) Produit destiné aux environnements difficiles. 35) Produit disposant d'options de réglage du temps et de l'éclairage. Les températures minimale et maximale sont indiquées sur l'icône. 36) Le produit peut être installé à une hauteur maximale de 6 m. 37) Pour que le produit fonctionne correctement, vous devez le fixer à la hauteur indiquée sur l'icône. Les portées maximale et minimale du détecteur sont également indiquées. 38) Le champ de vision actif standard du détecteur couvre l'angle indiqué sur l'icône. 39) Ce produit doit être monté à l'horizontale. Pour une durée de vie plus longue, l'angle de l'ampoule ne doit pas dépasser 4 degrés. 40) Veillez à ne pas percer les câbles électriques ou tout autre objet se trouvant dans le mur ou le plafond lors de l'installation ! 41) Si vous fixez le produit sur un boîtier pour plafond ou un boîtier mural, vous devez d'abord placer un couvercle sur le boîtier (par ex. aux Pays-Bas). 42) Les câbles électriques ne doivent jamais être encastrés ou torsadés entre le produit et la surface de fixation ! 43) Certaines parties de ce produit peuvent devenir chaudes. 44) Ce produit n'est pas adapté aux enfants de moins de 5 ans. 45) Le produit est utilisable uniquement par des personnes âgées de plus de 5 ans. 46) Le produit doit être fixé hors de portée (X1 : des enfants, X2 : des adultes). 47) L'installation du produit nécessite la présence de 2 personnes. 48) Pour éviter la corrosion, nettoyez l'armature au moins 2 fois par an avec un chiffon doux et un détergent neutre (4 fois dans les zones côtières ou en milieu industriel). 49) Le produit est uniquement réglable lors de l'installation à l'aide d'un outil. 50) Attention : risque d'électrocution! La source lumineuse contenue dans ce luminaire doit être uniquement remplacée par le fabricant, son agent de maintenance ou une autre personne disposant des qualifications appropriées. 51) Source lumineuse (LED uniquement) remplaçable par un utilisateur final. 52) Source lumineuse remplaçable par un utilisateur final. 53) Source lumineuse (LED uniquement) remplaçable par un professionnel : La source lumineuse LED contenue dans ce luminaire doit être uniquement remplacée par le fabricant, son agent de maintenance ou une autre personne disposant des qualifications appropriées. 54) Source lumineuse remplaçable par un professionnel : La source lumineuse contenue dans ce luminaire doit être uniquement remplacée par le fabricant, son agent de maintenance ou une autre personne disposant des qualifications appropriées. 55) Source lumineuse non remplaçable : La source lumineuse de ce luminaire n'est pas remplaçable. Lorsque la source lumineuse arrive en fin de vie, tout le luminaire doit être remplacé. 56) Appareillage remplaçable par un utilisateur final. 57) Appareillage remplaçable par un professionnel. 58) Appareillage non remplaçable. 59) Ne pas utiliser la commande avec des mains humides, dans des lieux exposés directement à l'eau, ou à l'extérieur. 60) Ne fixez pas la source lumineuse durant le fonctionnement.

**Règlement sur l'étiquetage énergétique (UE) 2019/2015:** 61) Ce produit contient une source lumineuse de classe d'efficacité énergétique A. 62) Ce produit contient une source lumineuse de classe d'efficacité énergétique B. 63) Ce produit contient une source lumineuse de classe d'efficacité énergétique C. 64) Ce produit contient une source lumineuse de classe d'efficacité énergétique D. 65) Ce produit contient une source lumineuse de classe d'efficacité énergétique E. 66) Ce produit contient une source lumineuse de classe d'efficacité énergétique F. 67) Ce produit contient une source lumineuse de classe d'efficacité énergétique G.

Ce produit est spécialement conçu et développé pour une utilisation domestique dans des conditions de fonctionnement normales uniquement. La durée de vie mentionnée sur l'emballage correspond à une moyenne (conformément aux normes L70B50 et IEC60969) sur la base d'une utilisation de 3 heures par jour. Si vous rencontrez des difficultés lors de l'utilisation du produit, nous vous recommandons de consulter d'abord le manuel de l'utilisateur et les informations sur notre site Web. Sous réserve des présentes conditions générales, nous, en qualité de fabricant (Signify Netherlands B.V., International Business Reply Service I.B.R.S. / C.C.R.I. Numéro 10461 5600 VB Eindhoven, Pays-Bas) garantissons que le produit est exempt de défauts de matériaux et de fabrication pour une période de deux (2) ans après la date d'achat, sauf si une période différente est indiquée dans ou sur l'emballage du produit et sous réserve que le produit soit entretenu conformément aux instructions d'entretien et de nettoyage figurant dans le manuel d'utilisation. Sauf dispositions légales contraires, nos obligations en vertu de la garantie se limiteront, à notre discrétion, à la réparation, à la fourniture d'un produit remplaçant le produit défectueux ou à un crédit correspondant au prix d'achat du produit défectueux. Les frais de (dé)montage et/ou de (dés)installation et de main d'œuvre sont exclus de la garantie, ainsi que les bris de verre, les batteries et les ampoules remplaçables. Nos réparations sous garantie ne prolongent ni ne renouvellent la période de garantie d'origine applicable. Nous avons le droit, à notre discrétion, de remplacer le produit défectueux couvert par la garantie par un produit légèrement différent au niveau de la conception et/ou des spécifications, sans que ces différences affectent la fonctionnalité du produit. Pour soumettre une réclamation valide en vertu de cette garantie, vous devez nous fournir (ou fournir à notre représentant) sur demande un reçu de votre achat ainsi que le produit défectueux pour que nous puissions l'analyser. Dans toute la mesure autorisée par la loi applicable, cette police expose notre entière responsabilité en qualité de fabricant s'agissant de produits défectueux ou non conformes. Nous ne serons pas responsables envers vous d'autres pertes ou dommages indirects ou consécutifs (y compris, mais sans que ceci soit exhaustif, la perte de données ou la perte de revenus) ni nous indemniserons pour des activités telles que l'entretien régulier, l'enregistrement ou la restauration de données. Vos droits statutaires découlant de la loi applicable ne sont pas affectés par la présente garantie fournie volontairement par le fabricant. Si vous soumettez votre produit au service après-vente dans un pays autre que le pays où vous l'avez acheté, nous tenterons de le faire réparer selon les conditions de

garantie du pays d'origine.

### Étapes d'installation

Reportez-vous au manuel d'installation pour des instructions détaillées.

Lancez l'application WIZ pour connecter le produit (Veuillez vous reporter au guide de démarrage rapide pour obtenir plus de détails sur le fonctionnement détaillé de l'application WIZ).

### Garantie

La garantie est soumise à des conditions strictes d'utilisation. Pour plus d'informations consultez notre site Web :

<https://www.wizconnected.com/en/consumer/support/>

### Spécification sans fil:

Bande de fréquence du mode RF sans fil : 2 400 – 2 483,5 MHz

Puissance de transmission maximum :

Wi-Fi : max. 20 dBm

Bluetooth : max. 10 dBm

Les produits ne doivent pas être utilisés avec des variateurs. Pour gérer la gradation, utilisez l'application WIZ.

Functionalité Marche/Arrêt disponible sans connexion Wi-Fi.

Par la présente, Signify déclare que le type d'équipement radio Luminaires WIZ répond à la directive 2014/53/UE (RED). L'ensemble du texte de

la déclaration européenne de conformité est disponible à l'adresse Internet suivante : [wizconnected.com](http://wizconnected.com)

Wi-Fi et le logo Wi-Fi CERTIFIED sont des marques déposées de Wi-Fi Alliance.

Wi-Fi CERTIFIED™, WPA2™, WPA3™ sont des marques déposées de Wi-Fi Alliance.

La marque et les logos Bluetooth® sont des marques déposées détenues par Bluetooth SIG, INC.

Amazon, Alexa et tous les logos associés sont des marques déposées d'Amazon.com, Inc ou de ses filiales.

Google est une marque déposée de Google LLC, Siri est une marque déposée d'Apple Inc.

Toute utilisation de ces marques par Signify fait l'objet d'un accord de licence.

Les autres marques commerciales et marques déposées sont la propriété de leurs propriétaires respectifs.

## NL - VEILIGHEIDSIJNSTRUCTIES

Dank u voor uw aankoop van dit WIZ product. We stellen uw keuze voor het merk WIZ op prijs en wensen u veel plezier met het gebruiken van uw product. Deze Handleiding B bevat omschrijvingen van alle parameters en specificaties, en relevante pictogrammen overeenkomstig de internationale normen en veiligheidsvoorschriften. Deze zijn echter niet altijd van toepassing op het product dat u hebt gekocht. Raadpleeg de pictogrammen in de aanvullende Handleiding A om te zien welke van toepassing zijn op dit product.

De producent adviseert de armaturen correct te gebruiken. Volg daarom altijd deze instructies op om een correcte en veilige installatie en werking van de armatuur te waarborgen, en bewaar de instructies voor toekomstig gebruik. Raadpleeg voor een veilige bevestiging van

het product altijd eerst een professional bij het kiezen van de juiste bevestigingswijze. U dient rekening te houden met het gewicht van

het product en het materiaal van het bevestigingsoppervlak. Raadpleeg bij twijfel een gekwalificeerde elektricien of de winkelier.

Verzeker uzelf ervan dat u het product altijd installeert volgens de relevante voorschriften. Volgens sommige bepalingen dienen

elektrische producten te worden geïnstalleerd door een bevoegd elektricien (bijvoorbeeld de 'Part P'-kwalificatie in het VK en de 'AS/NZS

3000'-bepaling in AUSTRALIË/NIEUW ZEELAND). Schakel altijd de stroom uit voordat u aan installatie, onderhoud of reparaties begint.

Houd bij het installeren rekening met de verschillende kleuren van de elektriciteitsdraden: blauw (nuldraad) en bruin (fasedraad) en bij

veiligheidsklasse I, geel/groen (aardendraad). Bevestig wandverlichting buiten het bereik van kinderen. Als het product op een metalen

oppervlak wordt bevestigd, moet dit oppervlak in contact staan met de aardgeleider of de potentiaalvereffening van de installatie. Draai

de schroeven in de kroonsteen altijd stevig vast, vooral bij de verbinding van bedrading met een laag voltage (12V) (indien van

toepassing). Het wordt nadrukkelijk aanbevolen de schroeven van de kroonsteen regelmatig te controleren en indien nodig weer vast te

draaien. Houd verpakkingsmateriaal buiten het bereik van kinderen. (Plastic zakken, etc.) Maak binnenverlichting schoon met een droge

stofdofek en gebruik geen schuurmiddelen of oplosmiddelen. Voorkom dat elektrische onderdelen in contact komen met water. Vervang

een gebarsten of gebroken beschermglas direct en gebruik alleen onderdelen die door de fabrikant zijn goedgekeurd. Het wordt

aangeraden alleen lampen van WIZ te gebruiken.

⚠️ Houd rekening met het lokale systeem voor afvalscheiding en -inzameling wanneer u elektrische en elektronische producten of

verpakkingen weggooit. Neem de lokale regelgeving in acht en gooi je oude producten en verpakkingen niet weg met het normale

huishoudelijke afval. Het correct wegwerpen van de verpakking, het product en/of batterijen helpt mogelijke negatieve gevolgen voor het

milieu en de menselijke gezondheid te voorkomen. Batterijen moeten gescheiden van huishoudelijke afvalstromen worden ingeleverd bij

speciale inzamelpunten. Wanneer je een product weggooit met batterijen die niet door de gebruiker kunnen worden vervangen, moeten

die batterijen door een professional worden verwijderd.

**BELANGRIJK:** hieronder vindt u een verklarende lijst met numerieke verwijzingen naar de respectievelijke pictogrammen voor elke

veiligheidsinstructie: 01) Het product dient binnenshuis te worden geïnstalleerd. 02) Het product is niet geschikt voor installatie in

badkamers, met name niet in het aangegeven gebied. 03) Het product is niet geschikt voor directe bevestiging op normaal brandbare

oppervlakken. 04) Het product is niet geschikt om te worden bedekt met thermisch isolerend materiaal. 05) Het product is alleen geschikt

voor bevestiging aan het plafond. 06) Het product is alleen geschikt voor bevestiging aan de wand. 07) Het product is geschikt voor

bevestiging aan de wand of aan het plafond. 08) Houd altijd rekening met de minimumafstand tussen de lamp en het te verlichten object,

zoals aangegeven op het pictogram. 09) IPX1: het product is beschermd tegen vallende druppels. IPX3: het product kan worden

blootgesteld aan regendruppels (vallende druppels onder een hoek van maximaal 60° ten opzichte van de verticale as). IPX4: het product is

spatwaterbestendig; het kan worden blootgesteld aan opspattend water uit alle richtingen (360°). IPX5: het product is beschermd tegen

waterstralen. IPX7: het product kan in de grond worden geïnstalleerd. IPX8: het product kan worden ondergedompeld tot de aangegeven

diepte. • IP5X: het product is beschermd tegen stof. IP6X: het product is stofdicht. 10) Vervang gebarsten of gebroken veiligheidsglas direct

en gebruik alleen borosilicaatglas van dezelfde afmetingen met een minimale dikte van 3 mm. 11) Veiligheidsklasse I: het product of

onderdeel heeft een aardaanstluiting. De aardedraad (geel/groen) moet worden verbonden met de aansluitklem die gemarkeerd is met veiligheidsklasse I logo. 12) Veiligheidsklasse II: Het product of onderdeel heeft dubbele of versterkte isolatie. 13) Veiligheidsklasse III: het product of onderdeel is alleen geschikt voor veilig, extra laag voltage (<50 Vac, <120 Vdc). 14) Strip de draad zoals aangegeven op het pictogram. 15) De aardedraad moet altijd langer zijn dan de bruinge (fasedraad) en blauwe (nuldraad) draden. 16) U dient de meegeleverde hittebestendige hulzen over de ongestripte draden te plaatsen. 17) Het product is alleen geschikt voor een directe verbinding met het elektriciteitsnet. 18) Bij schade aan de draad: · X-verbinding; Vervang de draad door hetzelfde type. · Y-verbinding; De draad dient te worden vervangen door de fabrikant, de distributeur of door een expert, om risico's te vermijden. · Z-verbinding; De kabel of het snoer van dit armatuur kan niet worden vervangen. Het armatuur is niet meer bruikbaar. 19) MAX. ...W: gebruik alleen lampen die geschikt zijn voor dit product en houd u aan het aangegeven maximumwattage. 20) Het product is alleen geschikt voor reflectorlampen. 21) Het product is alleen geschikt voor spaarlampen of LED-lampen (bv. E14, E27, Gx53, ...) 22) Het product is niet geschikt voor spaarlampen of LED-lampen (bv. E14, E27, Gx53, ...) 23) Er kunnen alleen lampen met een diameter van 60 mm worden gebruikt. U kunt voor dit product geen lampen met een diameter van 45 mm gebruiken. 24) Gebruik alleen bolvormige lampen met de aangegeven diameter. Gebruik nooit een standaard gloeilamp. 25) Dit product is alleen geschikt voor lampen met kaarsvorm. 26) Dit product is alleen geschikt voor een lamp met ingebouwde beveiliging of een lagedruklamp. Extra veiligheidsglas is niet nodig. 27) Halogeenlampen en lineaire halogeenlampen dienen u niet met blote handen aan te raken. 28) Het product is uitgerust met een zekering. Als het product niet meer werkt na het vervangen van de lamp, moet de interne zekering worden vervangen. Als het risico bestaat dat u de interne bedrading hierbij raakt, dient u de zekering te laten vervangen door een gekwalificeerde elektricien. 29) Het product is dimbaar met de meegeleverde dimmer of met een (niet meegeleverde) dimmer die is aangesloten op de elektrische installatie van het huis. Ga naar "WiZconnected.com" voor meer informatie. Raadpleeg een gekwalificeerde elektricien om een geschikt type dimmer te kiezen. 30) Het product is niet dimbaar. 31) Het product is ALLEEN dimbaar met de meegeleverde dimmer. Sluit niet aan op een extra dimmer. 32) De dimbaarheid hangt af van de gekozen lamp. Meer informatie over de dimmerfuncties is te vinden in het informatiepakket dat bij de lamp is meegeleverd. 33) Het product heeft een veiligheidstransformator. Vervang een defecte transformator alleen met een transformator met identieke technische specificaties. Raadpleeg een gekwalificeerde elektricien of de winkelier. 34) Product voor zware omstandigheden. 35) Product met opties voor het instellen van tijd en verlichting. Minimum- en maximumwaarden zijn aangegeven in het pictogram. 36) Het product kan worden bevestigd tot een maximumhoogte van 6 m. 37) Voor betrouwbare werking dient u het product te bevestigen op de in het pictogram aangegeven hoogte. Het maximum- en minimumbereik van de detector is ook aangegeven. 38) De detector heeft een standaard actief bereik van het aantal graden dat in het pictogram is aangegeven. 39) Dit product dient horizontaal te worden bevestigd. Voor een langere levensduur mag de hoek waarin de lamp wordt geplaatst niet groter zijn dan 4 graden. 40) Zorg ervoor dat u bij het installeren niet door elektriciteitsdraden of andere obstructies in de muur of het plafond boort! 41) Als het product aan een aansluitdoos voor wandlampen of plafondlampen wordt bevestigd, is het in bepaalde landen verplicht deze eerst af te dekken. (bijvoorbeeld in Nederland) 42) Elektriciteitsdraad mag nooit bekleemd raken tussen het product en het bevestigingsoppervlak. 43) Delen van dit product kunnen heet worden. 44) Dit product is niet geschikt voor kinderen onder de 5 jaar. 45) Het product is alleen geschikt voor personen onder dan 5 jaar. 46) Bevestig het product buiten armebereik (X1: voor kinderen, X2: voor volwassenen). 47) Product dient door 2 personen gemonteerd te worden. 48) Om corrosie te vermijden de armatuur minstens twee maal per jaar reinigen met een zachte doek en een neutraal reinigingsmiddel. (vier maal in kust- of industriële gebieden). 49) Het product is alleen af te stellen tijdens de installatie met gebruik van gereedschap. 50) Waarschuwing: risico op elektrische schok! De lichtbron in deze armatuur dient uitsluitend door de fabrikant, diens onderhoudsvertegenwoordiger of een persoon met vergelijkbare kwalificaties te worden vervangen. 51) Door een eindgebruiker vervangbare lichtbron (alleen LED). 52) Door een eindgebruiker vervangbare lichtbron. 53) Door een professional vervangbare lichtbron (alleen LED); De LED-lichtbron in deze armatuur dient uitsluitend door de fabrikant, diens onderhoudsvertegenwoordiger of een persoon met vergelijkbare kwalificaties te worden vervangen. 54) Door een professional vervangbare lichtbron; De lichtbron in deze armatuur dient uitsluitend door de fabrikant, diens onderhoudsvertegenwoordiger of een persoon met vergelijkbare kwalificaties te worden vervangen. 55) Niet-vervangbare lichtbron; De lichtbron in deze armatuur is niet vervangbaar. Als de lichtbron het einde van de levensduur heeft bereikt, dient de volledige armatuur te worden vervangen. 56) Door een eindgebruiker vervangbare voorschakelapparatuur. 57) Door een professional vervangbare voorschakelapparatuur. 58) Niet-vervangbare voorschakelapparatuur 59) Gebruik het bedieningsapparaat niet met natte handen, buitenshuis of in ruimten die direct worden blootgesteld aan water. 60) Kijk niet rechtstreeks in de brandende lichtbron

**Verordening betreffende energie-etikettering (EU) 2019/2015:** 61) Dit product bevat een lichtbron met energie-efficiëntieklasse A. 62) Dit product bevat een lichtbron met energie-efficiëntieklasse B. 63) Dit product bevat een lichtbron met energie-efficiëntieklasse C. 64) Dit product bevat een lichtbron met energie-efficiëntieklasse D. 65) Dit product bevat een lichtbron met energie-efficiëntieklasse E. 66) Dit product bevat een lichtbron met energie-efficiëntieklasse F. 67) Dit product bevat een lichtbron met energie-efficiëntieklasse G. Dit product is specifiek ontworpen en ontwikkeld voor enkel huishoudelijk gebruik onder normale gebruiksomstandigheden. De levensduur die op de verpakking is vermeld, is slechts een gemiddelde (in overeenstemming met de standaarden L70B50 en IEC60969) en is gebaseerd op een gemiddelde van 3 branduren per dag. Indien u problemen ondervindt met het gebruik van het product, raden we u aan eerst de gebruiksaanwijzing en de informatie op onze website te raadplegen. Onder de voorwaarden zoals hierin vastgelegd, garanderen wij als fabrikant (Signify Netherlands B.V., Antwoordnummer 10461, 5600 VB Eindhoven, Nederland) dat het product vrij is van materiaal- en constructiefouten gedurende een periode van twee (2) jaar na aankoopdatum, tenzij een andere periode is vermeld in of op de verpakking van het product en op voorwaarde dat het product is onderhouden overeenkomstig de onderhouds- en schoonmaakinstructies die zijn opgenomen in de gebruikershandleiding. Tenzij wettelijk anders is bepaald, blijven onze garantieverplichtingen beperkt tot het, naar onze keuze, repareren, leveren van een vervangend product of aanbieden van een passende restitutie voor de aankoopprijs van het defecte product. Kosten van (de)monteren en/of (de)installeren en arbeid zijn uitgesloten van garantie, evenals gebroken materialen, batterijen en vervangbare lampen. Onze herstellingen onder garantie leiden niet tot verlenging of vernieuwing van de oorspronkelijk van toepassing zijnde garantieperiode. Wij behouden ons het recht voor, naar eigen keuze, het defecte product dat onder de garantie valt te vervangen door een product met minimale afwijkingen in vormgeving en/of productspecificaties die de functionaliteit van het product niet beïnvloeden. Om in aanmerking te komen voor een geldige aanspraak op deze garantie dient u ons (of onze vertegenwoordiger) op ons verzoek te voorzien van een geldig aankoopbewijs en het defecte product voor analyse aan ons te verstrekken. Voorzover wettelijk toegestaan, beschrijven deze voorwaarden onze volledige aansprakelijkheid als fabrikant met betrekking tot producten die defect zijn of. 12

niet aan de specificaties voldoen. We zijn jegens u niet aansprakelijk voor andere verliezen of indirecte of gevolgschade (met inbegrip van maar niet beperkt tot verlies van gegevens of inkomsten), noch hoeven we u te compenseren voor activiteiten zoals regelmatig onderhoud, het bewaren of herstellen van gegevens. Uw wettelijke rechten die voortvloeien uit toepasselijke wetgeving worden niet beïnvloed door deze vrijwillig door de fabrikant aangeboden garantie. Indien u uw product voor service aanbiedt in een land anders dan het land waarin u het product hebt aangeschaft, proberen we uw product van service te voorzien conform de garantievoorwaarden van het land waarin u uw product hebt aangeschaft.

### Installatiestappen

Raadpleeg de installatiehandleiding voor informatie over deze stap.

Open de WiZ-app om het product te koppelen (raadpleeg de Snelstartgids voor meer informatie over de bediening van de WiZ-app).

### Garantie

Voor de garantie gelden strikte gebruiksvoorwaarden. Ga voor meer informatie naar onze website:

<https://www.wizconnected.com/en/consumer/support/>

### Draadloze specificatie:

Frequentieband Wireless RF-modus: 2400 - 2483,5 MHz

Maximaal verzonden vermogen:

Wi-Fi: max, 20 dBm

Bluetooth: max, 10 dBm

Producten mogen niet worden gebruikt met dimmers. Gebruik voor dimmen de WiZ-applicatie.

Aan/uit-functionaliteit beschikbaar zonder WiFi-connectiviteit.

Signify verklaart hierbij dat de radioapparatuur van het type WiZ-armaturen voldoet aan Richtlijn 2014/53/EU (RED). De volledige tekst van de Europese verklaring van conformiteit is beschikbaar op de volgende internetpagina: [wizconnected.com](http://wizconnected.com)

Wi-Fi® en het Wi-Fi CERTIFIED-logo zijn gedeponeerde handelsmerken van de Wi-Fi Alliance.

Wi-Fi CERTIFIED™, WPA2™, WPA3™ zijn handelsmerken van de Wi-Fi Alliance.

De aanduiding Bluetooth® en de corresponderende logo's zijn gedeponeerde handelsmerken die eigendom zijn van Bluetooth SIG, INC., Amazon, Alexa en alle corresponderende logo's zijn handelsmerken van Amazon.com, Inc of haar gelieerde ondernemingen.

Google is een handelsmerk van Google LLC. Siri is een gedeponeerd handelsmerk van Apple Inc.

Deze merken worden door Signify onder licentie gebruikt.

Overige handelsmerken en handelsnamen zijn eigendom van de respectieve eigenaren.

## ES - INSTRUCCIONES DE SEGURIDAD

Gracias por comprar este producto WiZ, valoramos que haya elegido la marca WiZ y le deseamos que disfrute usando su producto. Este manual B contiene definiciones de todos los posibles parámetros y especificaciones aplicables con iconos, de conformidad con las normas internacionales y de seguridad. Sin embargo, es posible que algunos no sean aplicables al producto que ha adquirido; consulte los iconos del manual A adicional para ver los que son aplicables a este producto.

El fabricante aconseja un uso correcto de los accesorios de iluminación. Por tanto, siga siempre estas instrucciones para garantizar una instalación y un funcionamiento correctos y seguros del accesorio. Conserve las instrucciones para su consulta futura. Consulte siempre a un profesional para elegir el cierre adecuado para instalar el producto de forma segura. Tenga en cuenta el peso del mismo y el material de la superficie de montaje. En caso de duda, consulte a un electricista cualificado o autorizado o póngase en contacto con su distribuidor. Asegúrese de que el producto está siempre instalado de acuerdo con las normativas pertinentes. Ciertas normativas indican que solo los electricistas autorizados deben instalar los productos eléctricos (p. ej., el apartado P en el caso de REINO UNIDO, y el apartado AS/NZS3000 IN en el caso de AUSTRALIA y NUEVA ZELANDA). Apague siempre el interruptor de alimentación antes de realizar tareas de instalación, mantenimiento o reparación. Observe el color de los cables antes de la instalación: azul (N), marrón (L) y, si se usa protección de clase I, amarillo/verde (tierra). Instale los apliques fuera del alcance de los niños. Si instala el producto sobre una superficie metálica, esta superficie se debe adherirse al conductor de tierra protector o al conductor de tierra equipotencial de la instalación.

Apriete siempre los tornillos del terminal con firmeza, especialmente las conexiones de los cables de bajo voltaje (12 V) (si procede). Es muy recomendable comprobar y volver a apretar los tornillos con regularidad. Mantenga los materiales de embalaje fuera del alcance de los niños (p. ej., las bolsas de plástico). Limpie el elemento de iluminación interior con un paño seco, no utilice productos abrasivos ni disolventes y evite el contacto con líquidos en todas partes eléctricas. Reemplace de inmediato la tapa transparente si se agrieta o se rompe, y utilice únicamente piezas aprobadas por el fabricante. Se aconseja utilizar exclusivamente bombillas de la marca "WiZ".

ℹ Informe sobre el sistema local de eliminación, separación y recogida de residuos de productos y envases eléctricos y electrónicos. Actúe de acuerdo con las normas locales y no tire el producto antiguo y su embalaje a la basura doméstica normal. La eliminación correcta del embalaje, de su producto y/o de las pilas contribuirá a evitar posibles consecuencias negativas para el medio ambiente y la salud humana. Las pilas deben eliminarse por separado del flujo de residuos municipales en las instalaciones de recogida designadas. Cuando desee un producto que contenga pilas no sustitibles por el usuario, un profesional deberá retirar las pilas no sustitibles por el usuario.

**ATENCIÓN:** A continuación, encontrará todas las explicaciones de los iconos que aparecen al principio de estas instrucciones de seguridad con una referencia numérica: 01) El producto debe instalarse únicamente en interiores. 02) El producto no es apto para instalarse en cuartos de baño, particularmente en la zona especificada. 03) El producto no es apto para instalarse directamente en superficies que suelen ser inflamables. 04) El producto no es apto para cubrirse con material aislante térmico. 05) El producto solo es apto para instalarse en el techo. 06) El producto solo es apto para instalarse en la pared. 07) El producto es apto para instalarse en la pared o en el techo. 08) Tenga siempre en cuenta la distancia mínima entre la lámpara y el objeto iluminado, tal como se indica en el icono. 09) IPX1: el producto

está protegido contra el goteo de agua. IPX3: el producto puede exponerse a la lluvia (a un ángulo máximo de 60° con respecto al eje vertical). IPX4: el producto es resistente a salpicaduras y puede exponerse a salpicaduras de agua desde cualquier dirección (360°). IPX5: el producto está protegido contra chorros de agua. IPX7: el producto se puede instalar en el suelo. IPX8: el producto se puede sumergir hasta la profundidad especificada. - IPX9: el producto es resistente al polvo. IP6X: el producto no permite la filtración de polvo. 10) Reemplace de inmediato el cristal de seguridad si se agrieta o se rompe y utilice únicamente piezas de borosilicato de las mismas dimensiones, con un espesor mínimo de 3 mm. 11) Protección de clase I: el producto o componente tiene una conexión a tierra. El cable de tierra (amarillo/verde) debe conectarse al terminal marcado con un asterisco protección de clase I. 12) Protección de clase II: el producto o componente está provisto de aislamiento doble o reforzado. 13) Protección de clase III: el producto o componente solo es apto para fuentes de alimentación de seguridad de voltaje extra bajo (< 50 V de CA; < 120 V de CC). 14) Pele el cable como se indica en el icono. 15) El cable de conexión a tierra siempre debe ser más largo que el cable marrón con corriente (L) y el cable azul neutro (N). 16) Se debe utilizar la funda resistente al calor suministrada en las secciones del cable sin pelar. 17) El producto solo es apto para conectarse directamente a la red eléctrica. 18) Conexión en X: si el cable se daña, debe reemplazarlo por un cable del mismo tipo. Conexión en Y: si el cable se daña, solo debe reemplazarse el fabricante, un distribuidor o un experto para evitar riesgos. Conexión en Z: el cable flexible externo de esta lámpara no se puede reemplazar. Si el cable está dañado, la lámpara deberá desecharse. 19) MAX... W: utilice únicamente bombillas adecuadas para este producto y respete el vataje máximo especificado. 20) El producto solo es apto para bombillas reflectoras. 21) El producto solo es apto para bombillas CFL-i o LED (p. ej., E14, E27, Gu10, Gx53, etc.). 22) El producto no es apto para bombillas CFL-i ni LED (p. ej., E14, E27, Gu10, Gx53, etc.). 23) Solo se pueden utilizar bombillas de 60 mm de diámetro. No deben utilizarse bombillas de 45 mm de este producto. 24) Utilice solo una bombilla globo del tamaño de diámetro indicado. No utilice nunca bombillas incandescentes estándar. 25) Este producto solo es apto para bombillas de vela. 26) El producto solo es apto para bombillas con seguridad incorporada o de baja presión. No se necesita un cristal de seguridad adicional. 27) Las bombillas halógenas lineales y de cápsula no deben tocarse con las manos descubiertas. 28) El producto está equipado con un fusible. Si el producto no funciona tras reemplazar la bombilla, deberá reemplazar el fusible interno. Si hay posibilidad de contacto con el cableado interno, deberá hacerlo un electricista cualificado. 29) Puede regular el producto con el regulador suministrado o con un regulador conectado (no incluido) a la instalación eléctrica de la casa. Para obtener información, visite "Wizconnected.com". Consulte a un electricista cualificado para elegir el tipo de regulador adecuado. 30) El producto no se puede regular. 31) El producto SOLO se puede regular con el regulador incluido. No se debe conectar un regulador adicional. 32) Las características de la regulación dependen de la bombilla elegida. Puede encontrar más información sobre las funciones de regulación en el paquete informativo que se proporciona con la bombilla. 33) El producto funciona con un transformador de seguridad. Si se rompe el transformador, reemplácelo únicamente por uno cuyas especificaciones técnicas sean idénticas. Consulte a un electricista cualificado o en su punto de venta. 34) Producto apto para condiciones de trabajo adversas. 35) Producto con temporizador y ajustes de iluminación. Los valores mínimos y máximos se indican en el icono. 36) El producto se puede instalar a una altura máxima de 6 m. 37) Para que el funcionamiento sea fiable, instale el producto a la altura especificada en el icono. El alcance máximo y mínimo del detector también se indican. 38) El rango de alcance activo estándar del detector cubre los grados indicados en el icono. 39) Este producto se debe instalar horizontalmente. Para prolongar su vida útil, la bombilla no debe posicionarse en un ángulo superior a 4 grados. 40) Durante la instalación, asegúrese de no perforar cables eléctricos ni cualquier otra obstrucción de la pared o del techo. 41) Si el producto se instala en una caja de conexión en el techo o la pared, es obligatorio cubrir primero la caja con una cubierta (p. ej., en los Países Bajos). 42) El cableado eléctrico no se debe sujetar ni enrollar nunca entre el producto y la superficie de instalación. 43) Las piezas de este producto pueden calentarse. 44) Este producto no es apto para niños menores de 7 años. 45) El producto solo es apto para personas de más de 7 años. 46) Instale el producto fuera del alcance de los brazos (X1: para niños, X2: para adultos). 47) Este producto se debe montar entre 2 personas. 48) Para evitar la corrosión, limpie la luminaria al menos 2 veces al año con un trapo suave y un detergente neutro (4 veces en zonas costeras o industriales). 49) El producto solo se puede configurar durante la instalación con la ayuda de una herramienta. 50) Precaución: Riesgo de descarga eléctrica! Solo el fabricante, un agente del servicio técnico o persona con cualificación similar puede sustituir la fuente de luz de este sistema de iluminación. 51) Fuente de luz (solo LED) sustituible por el usuario final. 52) Fuente de luz sustituible por el usuario final. 53) Fuente de luz (solo LED) sustituible por un profesional: Solo el fabricante, un agente del servicio técnico o persona con cualificación similar puede sustituir la fuente de luz LED de este sistema de iluminación. 54) Fuente de luz sustituible por un profesional: Solo el fabricante, un agente del servicio técnico o persona con cualificación similar puede sustituir la fuente de luz de este sistema de iluminación. 55) Fuente de luz no sustituible: La fuente de luz de este sistema de iluminación no se puede sustituir. Cuando la fuente de luz llegue al final de su vida útil, deberá sustituirse el sistema completo. 56) Equipo de control sustituible por el usuario final. 57) Equipo de control sustituible por un profesional. 58) Equipo de control no sustituible. 59) No utilice el dispositivo de control con las manos húmedas, en zonas directamente expuestas a agua ni en exteriores. 60) No mire fijamente a la fuente de luz en funcionamiento.

**Reglamento (UE)2019/2015 relativo al etiquetado energético de las fuentes luminosas:** 61) Este producto contiene una fuente luminosa con la clase de eficiencia energética A. 62) Este producto contiene una fuente luminosa con la clase de eficiencia energética B. 63) Este producto contiene una fuente luminosa con la clase de eficiencia energética C. 64) Este producto contiene una fuente luminosa con la clase de eficiencia energética D. 65) Este producto contiene una fuente luminosa con la clase de eficiencia energética E. 66) Este producto contiene una fuente luminosa con la clase de eficiencia energética F. 67) Este producto contiene una fuente luminosa con la clase de eficiencia energética G.

Este producto se ha diseñado y desarrollado específicamente para su uso doméstico en condiciones de uso y operatividad normales exclusivamente. La duración que se menciona en el embalaje es solamente un promedio (de acuerdo con los estándares L70B50 e IEC60969) y se basa en una media de 3 horas de tiempo de encendido diario. Si encuentra cualquier dificultad con el uso del producto, le recomendamos que consulte primero el manual del usuario y la información que encontrará en nuestro sitio web. Sujeto a los términos y condiciones de este documento, nosotros, como fabricante (Signify Netherlands B.V., International Business Reply Service I.B.R.S. / C.C.R.I. Número 10461 5600 VB Eindhoven, Países Bajos) garantizamos que el producto está libre de defectos en los materiales y en la mano de obra durante un período de dos (2) años tras la fecha de compra, a menos que se indique un período de tiempo diferente en el embalaje del producto y sujeto al mantenimiento del producto de acuerdo con las instrucciones para el cuidado y la limpieza que se indican en el manual del usuario. A menos que las disposiciones legales de la legislación vigente regulen lo contrario, nuestras obligaciones en virtud de la garantía se limitarán, según nuestro criterio, a reparar el producto defectuoso, proporcionar un producto de sustitución u...



oferecer o reembolso correspondente ao preço de compra do produto defectuoso. Los costes de montaje/desmontaje y de instalación/desinstalación y la mano de obra se excluyen de la garantía, así como la rotura de cristales, las baterías y las bombillas sustituidas. Nuestras compensaciones en virtud de la garantía no ampliarán ni renovarán el periodo de garantía original aplicable. Nos reservamos el derecho, según nuestro criterio, a sustituir el producto defectuoso cubierto por la garantía por un producto que tenga pequeñas diferencias de diseño o especificaciones que no afecten a la funcionalidad del producto. Para tener derecho a una reclamación válida según esta garantía, deberá presentarnos a nosotros (o a nuestro representante) el recibo correspondiente a la compra y el producto defectuoso para su análisis. Hasta donde lo permita la legislación vigente, esta política establece toda nuestra responsabilidad como fabricante, en lo relativo a los productos defectuosos o que presenten una no conformidad. No tendremos responsabilidad alguna frente a usted por ninguna otra pérdida o daño, indirecto o consequential (lo que incluye, sin limitaciones, la pérdida de datos o la pérdida de ingresos), ni le compensaremos por actividades tales como el mantenimiento periódico, el almacenamiento o la restauración de los datos. Sus derechos legales estatutarios derivados de la legislación vigente no se verán afectados por esta garantía del fabricante, proporcionada voluntariamente. Si lleva su producto a un servicio técnico en un país diferente del país donde compró el producto, intentaremos prestar servicio a su producto de acuerdo con los términos de la garantía del país donde compró el producto.

### **Pasos de la instalación**

Consulte el manual de instalación para ver los pasos detallados.

Inicio la aplicación Wiz para conectar el producto (consulte la guía de inicio rápido para obtener más detalles sobre el funcionamiento de la aplicación Wiz).

### **Garantía**

La garantía está sujeta a condiciones de uso estrictas; para obtener más información, visite nuestro sitio web:

<https://www.wizconnected.com/en/consumer/support/>

### **Especificación inalámbrica:**

Banda de frecuencia de modo RF inalámbrica: 2400 - 2483,5 MHz

Potencia máxima transmitida:

Wi-Fi: máx, 20 dBm

Bluetooth: máx, 10 dBm

Los productos no se utilizarán con reguladores, para la regulación utilice la aplicación WIZ.

Funcionalidad de encendido/apagado disponible sin conectividad Wi-Fi.

Por la presente, Signify declara que las luminarias WIZ de tipo de equipamiento de radio cumple con la directiva 2014/53/UE(RED). El texto completo de la declaración de conformidad de la UE está disponible en la siguiente dirección: [wizconnected.com](http://wizconnected.com)

Wi-Fi® y el logotipo de Wi-Fi CERTIFIED son marcas registradas de Wi-Fi Alliance,

Wi-Fi CERTIFIED™, WPA2™, WPA3™ son marcas comerciales de Wi-Fi Alliance.

La marca denominativa y los logotipos de Bluetooth® son marcas comerciales registradas propiedad de Bluetooth SIG, INC.

Amazon, Alexa y todos los logotipos relacionados son marcas comerciales de Amazon.com, Inc o sus filiales,

Google es una marca comercial de Google LLC. Siri es una marca comercial registrada de Apple Inc.

Cualquier uso de tales marcas por parte de Signify se realiza bajo licencia.

El resto de marcas y nombres comerciales pertenecen a sus respectivos propietarios.

## **PT - INSTRUÇÕES DE SEGURANÇA**

Obrigado por quer adquirir este produto WIZ, apreciamos muito o facto de ter optado pela marca WIZ e esperamos que desfrute da utilização deste produto. Este manual B contém definições de todos os parâmetros e especificações com ícones potencialmente aplicáveis, de acordo com as normas e padrões de segurança internacionais. No entanto, nem todos serão aplicáveis ao produto que

adquiriu - consulte os ícones no Manual A adicional para determinar quais são especificamente aplicáveis a este produto.

O fabricante aconselha a utilização correta dos equipamentos de iluminação! Por conseguinte, siga sempre estas instruções para garantir a instalação e o funcionamento corretos e seguros do equipamento e guarde as instruções para referência futura. Aconselhe-se

brevemente junto de um profissional para seleccionar as fixações correctas para uma montagem segura do produto. Tenha em consideração o peso do produto e o material da superfície de montagem. Em caso de dúvida, consulte um electricista qualificado ou

autorizado ou contacte o seu posto de venda. Assegure-se de que o produto é sempre instalado de acordo com os regulamentos relevantes. Determinados regulamentos indicam que os produtos eléctricos podem de ser instalados apenas por um electricista

autorizado (por ex. "Part P" no Reino Unido, AS/NZS3000 IN para Austrália/Nova Zelândia). Desligue sempre a alimentação antes de

proceder a actividades de instalação, manutenção ou reparação. Tenha em atenção a cor dos fios antes da instalação: azul (N), castanho (L) e, em caso de classe de protecção I, amarelo/verde (terra). Monte os apliques fora do alcance das crianças. Se o produto for montado

numa superfície metálica, esta superfície terá de estar ligada a um fio de terra ou a um condutor para ligação equipotencial da

instalação. Aperte sempre os parafusos terminais com firmeza, especialmente nas fixações para cablagem de baixa voltagem (12 V) (se aplicável). Recomendamos vivamente a verificação regular e o reaperto dos parafusos terminais. Mantenha os materiais da embalagem

fora do alcance das crianças (por ex. sacos de plástico, etc.). Limpe a iluminação interior com um pano do pó seco, não use abrasivos ou solventes. Evite o contacto de líquidos com todas as peças eléctricas. Substitua de imediato uma cobertura transparente fissurada ou

partida e utilize apenas peças aprovadas pelo fabricante. Recomendamos que utilize apenas lâmpadas da marca "WIZ".

Informe-se sobre o sistema local de eliminação, separação e recolha de resíduos de embalagens e produtos eléctricos e electrónicos.

Proceda em conformidade com as regras locais e não elimine a produto antigo e a respetiva embalagem juntamente com os resíduos domésticos normais. A eliminação correta da embalagem, do seu produto e/ou das pilhas ajudará a prevenir potenciais consequências

negativas para o ambiente e para a saúde humana. As pilhas devem ser eliminadas em separado do fluxo de resíduos urbanos através das instalações de recolha designadas. Quando se elimina um produto que contém pilhas não substituíveis pelo utilizador, estas devem ser removidas por um profissional.

**ATENÇÃO:** abaixo encontrará todas as explicações com referências numéricas para os ícones correspondentes nestas instruções de segurança; 01) O produto deve ser instalado apenas em áreas interiores. 02) O produto não é adequado para a instalação em casas de banho, em particular na zona especificada. 03) O produto não é adequado para a montagem directa em superfícies normalmente inflamáveis. 04) O produto não é adequado para ser coberto com material de isolamento térmico. 05) O produto é adequado apenas para a montagem no tecto. 06) O produto é adequado apenas para a montagem na parede. 07) O produto é adequado para a montagem na parede ou no tecto. 08) Tenha sempre em atenção a distância mínima, conforme indicada no ícone, entre o candeeiro e o objecto iluminado. 09) IPX1: O produto está protegido contra gotas de água. IPX3: O produto pode ser exposto a gotas de chuva (gotas em queda a um ângulo máximo de 60° sobre o eixo vertical). IPX4: O produto é à prova de água: pode ser exposto a salpicos de água oriundos de qualquer direcção (360°). IPX5: O produto está protegido contra jactos de água. IPX7: O produto pode ser instalado directamente no piso. IPX8: O produto está protegido contra imersão até à profundidade indicada. IPX9: O produto está protegido contra o pó. IPX6: O produto está isolado contra o pó. 10) Substitua imediatamente um vidro de segurança fissurado ou partido e use exclusivamente peças em borossilicato com as mesmas dimensões e uma espessura mínima de 3 mm. 11) Classe de protecção I: o produto ou componente tem uma ligação à terra. O fio de terra (amarelo/verde) tem de ser ligado ao terminal marcado com classe de protecção I. 12) Classe de protecção II: o produto ou componente é fornecido com isolamento duplo ou reforçado. 13) Classe de protecção III: o produto ou componente é apropriado apenas para o fornecimento de voltagem ultra baixa de segurança (<50 V CA; <120 V CC). 14) Descarne o fio conforme indicado no ícone. 15) O fio de terra tem de ser sempre mais comprido do que o fio com corrente castanho (L) e o fio neutro azul (N). 16) A utilização das mangas resistentes ao calor fornecidas é necessária ao longo dos fios descarnados. 17) O produto é adequado apenas para a ligação directa à corrente eléctrica. 18 - Ligação X: em caso de danos no fio, este tem de ser substituído por outro fio do mesmo tipo. - Ligação Y: em caso de danos no fio, este tem de ser substituído apenas pelo fabricante, distribuidor ou por um técnico especializado, para evitar riscos. - Ligação Z: o cabo flexível externo ou o fio deste candeeiro não pode ser substituído. Se o fio estiver danificado, o candeeiro terá de ser destruído. 19) MAX...W: utilize apenas lâmpadas adequadas para este produto e que não ultrapassem a potência máxima indicada. 20) O produto é adequado apenas para lâmpadas reflectoras. 21) O produto é adequado apenas para lâmpadas CFLi ou LED (por ex. E14, E27, Gu10, Gx53, ...) 22) O produto não é adequado para lâmpadas CFLi ou LED (por ex. E14, E27, Gu10, Gx53, ...) 23) E permita a utilização apenas de lâmpadas com diâmetro de 60 mm. Uma lâmpada com 45 mm de diâmetro não pode ser utilizada neste produto. 24) Utilize apenas uma lâmpada em globo com o diâmetro indicado. Nunca utilize uma lâmpada incandescente convencional. 25) Este produto é adequado apenas para lâmpadas tipo chama. 26) O produto é adequado apenas para lâmpadas com protecção integrada ou para lâmpadas de baixa pressão. Não é necessário um vidro de protecção extra. 27) As lâmpadas de cápsula e as lâmpadas de halogéneo lineares não podem ser tocadas com as mãos desprotegidas. 28) O produto está equipado com um fusível. Se o produto não estiver a funcionar após a substituição de uma lâmpada, é necessário substituir o fusível interno. Isto tem de ser efectuado por um electricista qualificado, se existir a possibilidade de contacto com a cablagem interna. 29) O produto tem intensidade de luz regulável com o interruptor de regulação da intensidade da luz fornecido ou com um interruptor de regulação da intensidade da luz (não incluído) ligado à instalação eléctrica de casa. Para obter mais informações, visite "Wizconnected.com". Consulte um electricista qualificado para seleccionar o tipo de interruptor de regulação da intensidade da luz apropriado. 30) Não é possível regular a intensidade de luz do produto. 31) É possível regular a intensidade de luz do produto APENAS com o interruptor de regulação da intensidade da luz fornecido. Não ligue a um interruptor de regulação adicional. 32) As características de regulação da intensidade da luz dependem da lâmpada escolhida. Estão disponíveis mais informações acerca das funcionalidades de regulação da intensidade da luz no pacote informativo fornecido com a lâmpada. 33) O produto funciona com um transformador de segurança. Substitua o transformador avariado apenas por um transformador com especificações técnicas idênticas. Consulte um electricista qualificado ou o seu ponto de venda. 34) Produto para uso intensivo. 35) Produto com opções de definição de hora e luz. O mínimo e o máximo são indicados no ícone. 36) O produto pode ser montado a uma altura máxima de 6 m. 37) Para um funcionamento fiável, o produto tem de ser montado à altura especificada conforme indicado no ícone. Os alcances máximo e mínimo do detector também são indicados. 38) O campo de visão activo padrão do detector abrange os graus indicados no ícone. 39) Este produto deve ser instalado na horizontal. Para uma maior vida útil, a lâmpada não se deve encontrar a um ângulo superior a 4 graus. 40) Certifique-se de que não fura fios eléctricos ou qualquer outro tipo de obstáculo na parede ou no tecto durante a instalação! 41) Se o produto for montado numa caixa de tecto ou de parede, é obrigatório cobrir primeiro a caixa com uma tampa (por ex. nos Países Baixos). 42) A cablagem eléctrica nunca pode ser presa ou torcida entre o produto e a superfície de montagem! 43) O produto tem peças que podem aquecer. 44) Este produto não é adequado para crianças com idade inferior a Y anos. 45) O produto é adequado apenas as pessoas com idade superior a Y anos. 46) Monte o produto fora do alcance (X1: para crianças, X2: para adultos). 47) Produto a montar por 2 pessoas. 48) Para evitar corrosão, limpe e proteja a luminária no mínimo 2 vezes por ano (ou 4 vezes em caso de ambientes costeiros ou industriais) com um pano macio e detergente neutro 49) O produto é regulável apenas durante a instalação utilizando uma ferramenta. 50) Perigo: risco de choque eléctrico! A fonte de luz no interior deste candeeiro deve ser substituída apenas pelo fabricante, pelo seu técnico de assistência ou por uma pessoa com qualificação equivalente. 51) Fonte de luz substituível (apenas LED) por um utilizador final. 52) Fonte de luz substituível por um utilizador final. 53) Fonte de luz substituível (apenas LED) por um profissional. A fonte de luz-LED no interior deste candeeiro deve ser substituída apenas pelo fabricante, pelo seu técnico de assistência ou por uma pessoa com qualificação equivalente. 54) Fonte de luz substituível por um profissional. A fonte de luz no interior deste candeeiro deve ser substituída apenas pelo fabricante, pelo seu técnico de assistência ou por uma pessoa com qualificação equivalente. 55) Fonte de luz não substituível. A fonte de luz deste candeeiro não é substituível: quando a fonte de luz alcançar o fim da sua vida útil, deve ser substituído o candeeiro completo. 56) Equipamento de controlo substituível por um utilizador final. 57) Equipamento de controlo substituível por um profissional. 58) Equipamento de controlo não substituível. 59) Não utilizar o dispositivo de controlo com mão molhadas, em áreas diretamente expostas a água ou em ambientes exteriores. 60) Não o fixe firmemente para a fonte de luz em funcionamento.

**Regulamento sobre rotulagem energética (UE)2019/2015:** 61) Este produto contém uma fonte de luz da classe de eficiência energética A. 62) Este produto contém uma fonte de luz da classe de eficiência energética B. 63) Este produto contém uma fonte de luz da classe de eficiência energética C. 64) Este produto contém uma fonte de luz da classe de eficiência energética D. 65) Este produto contém uma...

Fonte de luz da classe de efficienza energética E. 66) Este produto contém um'a fonte de luz da classe de eficiencia energética F. 67) Este produto contém una fonte de luz da classe de eficiencia energética G.

Este produto foi especificamente concebido e desenvolvido para utilização doméstica em condições normais de utilização e de operação. A vida útil mencionada na embalagem é apenas una média (em conformidade com as normas L70B50 e IEC60969) e tem por base un tempo de accendimento médio de 3 horas por dia. Caso tenha alguma dificuldade ad utilizar este produto, raccomandamos che consulte, primeiro, o manual do utilizzador e a informazione no nostro Web site. Nos termos e condizioni do presente, nós, enquanto fabbricantes (Signify Netherlands B.V., International Business Reply Service I.B.R.S. /C.C.R.I. Número 10461 5600 VB Eindhoven, Países Baixos) garantimos que o produto está isento de defeitos de material e de mão-de-obra por un período de dois (2) anos após a data de compra, exceto quando un período diferente é referido na embalagem do produtos e desde que o produto seja mantido em conformidade com as instruções de cuidado e limpeza indicadas no manual do utilizzador. Exceto quando as disposições obrigatórias da legislação aplicáveis determinem nostro sentito, as nossas obrigações ad abrigo da garantia serão limitadas, de acordo com nossos critérios à reparação ou substituição do produto com defeito ou à oferta de un crédito adequado no montante do preço de compra do mesmo. Os custos de (des)montagem e/ou (des)instalação e de mão-de-obra são excluidos da garantia, tal como vidros partidos, baterias e lâmpadas sobresselentes. As nossas soluções nos termos da garantia não prolongarão nem renovarão o período de garantia original aplicável. Poderemos, de acordo com nossos critérios, substituir o produto com defeito abrangido pela garantia por un produto que tenha pequenas diferenças no design e/ou especificações que não afetem a funcionalidade do produto. Para ter direito a apresentar una reclamação válida nos termos desta garantia, deverá apresentar nos, (ou ao nosso representante) a pedido, una prova de compra adequada e o produto com defeito para avaliação. No máximo permitido pela lei aplicável, esta política define a totalidade da nossa responsabilidade enquanto fabbricantes, relativamente ad produtos com defeito ou não conformes. Não seremos responsáveis por quaisquer outras perdas ou danos indiretos ou consequentes (incluindo, entre outros, a perda de dados ou de rendimento), nem iremos indemnizá-lo por atividades como a manutenção regular ou o armazenamento e a recuperação de dados. Os direitos legais do consumidor decorrentes da lei aplicável não são afetados por esta garantia oferecida voluntariamente pelo fabbricante. Se necessitar de reparar o produto num país diferente daquele onde efetuou a compra, nós tentaremos que o produto seja reparado nos termos da garantia do produto no país onde o mesmo foi adquirido.

### Passos da instalação

Consulte o manual de instalação para una descrição dos passos detalhados.

Inicie a aplicação WIZ para ligar o produto (consulte o Guia de Início Rápido para obter mais detalhes sobre o funcionamento da aplicação WIZ).

### Garantia

A garantia está sujeita a condições de utilização rigorosas; para obter mais informações, visite o nosso website:

<https://www.wizconnected.com/en/consumer/support/>

### Especificações da funcionalidade sem fios:

Banda de frequência do modo RF sem fios: 2400 – 2483,5 MHz

Potência máxima transmitida:

Wi-Fi: máx. 20 dBm

Bluetooth: máx. 10 dBm

Os produtos não devem ser utilizados com reguladores. Para a regulação, utilize a aplicação WIZ.

A funcionalidade Ligar/desligar está disponível sem conectividade Wi-Fi.

A Signify declara, por este meio, que o tipo de equipamento rádio Luminárias WIZ está em conformidade com a Diretiva 2014/53/UE (RED). O texto completo da declaração de conformidade para a UE encontra-se disponível no endereço:

[wizconnected.com](http://wizconnected.com)

Wi-Fi® e o logótipo Wi-Fi CERTIFIED são marcas registadas da Wi-Fi Alliance.

Wi-Fi CERTIFIED™ e WPA2™, WPA3™ são marcas comerciais da Wi-Fi Alliance.

A marca nominativa e os logótipos Bluetooth® são marcas registadas propriedade da Bluetooth SIG, INC.

Amazon, Alexa e todos os logótipos relacionados são marcas comerciais da Amazon.com, Inc ou das suas afiliadas.

Google é una marca comercial da Google LLC. Siri é uma marca registada da Apple Inc.

Qualquer utilização de tais marcas pela Signify é efetuada sob licença.

Outras marcas e designações comerciais são propriedade dos respetivos detentores.

## IT - ISTRUZIONI DI SICUREZZA

Grazie per l'acquisto di questo prodotto WIZ, apprezziamo molto la Sua scelta per il marchio WIZ e Le auguriamo di poter piacevolmente beneficiare dell'utilizzo del prodotto. Il presente manuale B contiene le definizioni di tutti i parametri e le specifiche potenzialmente applicabili con icone, in conformità alle norme e agli standard di sicurezza internazionali. Tuttavia non tutte riguardano il prodotto acquistato, si prega quindi di fare riferimento alle icone riportate nel Manuale A, per le definizioni applicabili nello specifico a questo prodotto.

Il produttore consiglia l'uso corretto degli apparecchi di illuminazione! Seguire sempre queste istruzioni per garantire l'installazione e il funzionamento corretti e sicuri dell'apparecchio e conservarle per riferimento futuro. Consultare sempre preventivamente un professionista per scegliere il sostegno adatto per un montaggio sicuro del prodotto. Si tenga sempre in considerazione il peso del prodotto e il materiale della superficie di montaggio. In caso di dubbio consultare un elettricista qualificato o certificato oppure contattare il proprio rivenditore. Assicurarsi che il prodotto sia sempre installato secondo le normative vigenti. Alcune normative prevedono che i prodotti elettrici siano installati solamente da elettricisti qualificati (ad es. la normativa Part P per il Regno Unito o

AS/ZN53000 IN per Australia e Nuova Zelanda). Sfaccare sempre il filo della corrente prima di iniziare operazioni di installazione e manutenzione o riparazione. Prima dell'installazione, verificare il colore corretto del cavo da collegare: blu (N), marrone (L) e se protezione in classe I, giallo/verde (terra). Montare gli articoli a muro fuori dalla portata dei bambini. Se il prodotto viene montato su una superficie metallica, questa deve essere collegata a un conduttore di messa a terra di protezione o equipotenziale. Stringere a fondo le viti dei morsetti elettrici specialmente se si tratta di articoli a basso voltaggio (12V). Si consiglia vivamente di controllare periodicamente e stringere le viti dei terminali di tanto in tanto. Conservare i materiali della confezione (ad es. buste di plastica) fuori dalla portata dei bambini. Effettuare la pulizia degli articoli d'illuminazione interna con panni antipolvere asciutti e non usare né solventi né prodotti abrasivi. Evitare di spargere liquidi sulle parti elettriche. Sostituire immediatamente un rivestimento traslucido in caso di rottura o crepe e utilizzare solamente parti approvate dal produttore. Si consiglia di utilizzare lampadine a marchio "WIZ".

Si prega di informarsi sul sistema locale di smaltimento, separazione e raccolta dei rifiuti per prodotti elettrici ed elettronici e imballaggi. Si prega di agire secondo le regole locali e di non smaltire il vecchio prodotto e l'imballaggio con i normali rifiuti domestici. Il corretto smaltimento dell'imballaggio, del prodotto e/o delle batterie aiuterà a prevenire potenziali conseguenze negative per l'ambiente e la salute umana. Le batterie dovrebbero essere smaltite separatamente dal flusso di rifiuti urbani tramite strutture di raccolta designate. Quando si smaltisce un prodotto che contiene batterie non sostituibili dall'utente, le batterie non sostituibili dall'utente devono essere rimosse da un professionista.

**ATTENZIONE:** qui sotto sono riportate tutte le spiegazioni con riferimenti numerici alle corrispondenti icone allegate a queste istruzioni di sicurezza: 01) Il prodotto può essere installato solo all'interno. 02) Il prodotto non è adatto a essere installato in stanze da bagno (soprattutto non nella zona specificata). 03) Il prodotto non è adatto a essere montato direttamente su superfici standard inammovibili. 04) Il prodotto non può essere coperto con materiali termoisolanti. 05) Il prodotto può essere installato solo sul soffitto. 06) Il prodotto può essere installato solo a parete. 07) Il prodotto è adatto a essere installato a parete o sul soffitto. 08) Rispettare sempre la distanza minima tra la lampadina e gli oggetti illuminati come indicato nell'icona. 09) IPX1: il prodotto è dotato di protezione contro il gocciolamento d'acqua. IPX3: il prodotto può essere esposto alla pioggia (le gocce devono cadere con un angolo massimo di 60° dall'asse verticale). IPX4: il prodotto è resistente a getti d'acqua: può essere colpito da spruzzi d'acqua provenienti da qualsiasi direzione (360°). IPX5: il prodotto è dotato di protezione contro getti d'acqua. IPX7: il prodotto può essere installato a terra. IPX8: il prodotto ha un indice di impermeabilità fino alla profondità indicata. - IPX5: il prodotto è dotato di protezione antipolvere. IP6X: il prodotto è sigillato contro la polvere. 10) Sostituire immediatamente i vetri di sicurezza lesionati o rotti e utilizzare solo parti in vetro borosilicato delle stesse dimensioni con uno spessore minimo di 3 mm. 11) Protezione in classe I: il prodotto o il componente ha una connessione di presa a terra. Il cavo di terra (giallo/verde) deve essere collegato al terminale contrassegnato dal simbolo protezione in classe I. 12) Protezione in classe II: il prodotto o il componente è provvisto di doppio isolamento o isolamento rinforzato. 13) Protezione in classe III: il prodotto o il componente è adatto solamente ad articoli a bassissimo voltaggio di sicurezza (<50 V CA; <120 V CC). 14) Spletare il cavo come indicato in figura. 15) Il cavo di messa a terra deve essere sempre più lungo del cavo di fase marrone (L) e del cavo neutro blu (N). 16) L'utilizzo del tubetto resistente al calore fornito è necessario su cavi spelati e sguainati. 17) Il prodotto è adatto solo per l'allacciamento diretto alla rete elettrica. 18) - Collegamento X: in caso di danneggiamento, il cavo deve essere sostituito con un cavo dello stesso tipo. - Collegamento Y: in caso di danneggiamento, il cavo deve essere sostituito esclusivamente dal costruttore, dal distributore o da un tecnico esperto per evitare rischi. - Connessione tipo Z: il filo o il cavo esterno flessibile di questo sistema di illuminazione non può essere sostituito. Se il cavo è danneggiato il sistema di illuminazione deve essere distrutto. 19) MAX...W: usare solo lampadine adatte a questo prodotto e con potenza effettiva (W) non superiore a quella indicata. 20) Utilizzare esclusivamente lampadine con riflettore. 21) Il prodotto è adatto solo a lampadine CFL-i o a LED (ad es. E14, E27, Gu10, Gx53,...) 22) Il prodotto non è adatto a lampadine CFL-i o a LED (ad es. E14, E27, Gu10, Gx53,...) 23) Utilizzare solo lampadine del diametro di 60 mm. Non utilizzare lampadine del diametro di 45 mm per questo prodotto. 24) Utilizzare esclusivamente una lampadina a globo del diametro indicato. Non usare mai una lampadina a incandescenza standard. 25) Il prodotto è adatto solo a lampadine oliva. 26) Il prodotto è idoneo esclusivamente a lampadine con dispositivi di sicurezza incorporati o a lampadine a bassa pressione. Non è necessario montare un vetro di sicurezza supplementare. 27) Le lampadine alogene capsule o lineari non devono essere toccate a mani nude. 28) Il prodotto è dotato di un fusibile. Se il prodotto non funziona dopo aver sostituito la lampadina, il fusibile interno deve essere sostituito. Se è consentito toccare i fili interni, l'operazione deve essere effettuata da un elettricista competente. 29) È possibile regolare l'intensità luminosa del prodotto utilizzando il dimmer fornito o un dimmer (non incluso) collegato alla rete elettrica della casa. Per maggiori informazioni a riguardo consultare "WizConnected.com". Per la scelta del tipo di dimmer giusto rivolgersi a un elettricista qualificato. 30) Il prodotto non è dimmerabile. 31) Il prodotto è dimmerabile SOLO con il dimmer fornito. Non collegare a un ulteriore dimmer. 32) Le caratteristiche di regolazione dipendono dalla lampadina scelta. Ulteriori informazioni sulla regolazione della luce sono disponibili nel pacchetto informativo fornito insieme alla lampadina. 33) Il prodotto funziona con un trasformatore di sicurezza. Sostituire il trasformatore guasto solo con un articolo che abbia le stesse specifiche tecniche. Consultare un elettricista qualificato o il proprio rivenditore abituale. 34) Prodotto adatto ad ambienti di servizio pesanti. 35) Prodotto con possibilità di regolazione del tempo e della luminosità. I valori minimi e massimi sono riportati nell'icona. 36) Il prodotto può essere posizionato a un'altezza massima di 6 metri. 37) Per un funzionamento ottimale posizionare il prodotto all'altezza indicata nell'icona. Anche il raggio di rilevazione minimo e massimo del sensore è indicato nell'icona. 38) Il raggio di rilevazione del sensore attivo standard corrisponde ai gradi indicati nell'icona. 39) Questo prodotto deve essere montato in orizzontale. Per una maggiore durata non posizionare la lampadina a un'angolo superiore a 4 gradi. 40) Accertarsi di non forare con il trapano cavi elettrici o altre condutture nella parete o nel soffitto durante l'installazione! 41) Se il prodotto è montato sopra una scatola elettrica a soffitto o a parete, coprire prima la scatola stessa con un coperchio. (es. Paesi Bassi). 42) I cavi elettrici non devono mai essere stretti o arrotolati tra il prodotto e la superficie di montaggio. 43) Questo prodotto contiene parti soggette a surriscaldamento. 44) Questo prodotto non è adatto a bambini al di sotto di Y anni. 45) Il prodotto è adatto solo per persone al di sopra dei Y anni. 46) Montare il prodotto in modo che non sia raggiungibile (X1: per bambini, X2: per adulti). 47) Prodotto da montare con 2 persone. 48) Al fine di evitare la corrosione, pulire l'apparecchio d'illuminazione con un panno morbido e un detergente neutro almeno 2 volte l'anno (almeno 4 volte nelle zone costiere e nelle aree Industriali) 49) È possibile configurare il prodotto solo durante l'installazione utilizzando un apposito strumento. 50) Attenzione: rischio di scariche elettriche! La sorgente di luce contenuta in questo sistema di illuminazione dovrà essere sostituita solo dal produttore, dal suo agente di servizio o da una persona con qualifica similare. 51) Sorgente luminosa (solo LED) sostituibile da parte di un utente finale. 52) Sorgente luminosa sostituibile da parte di un utente finale. 53) Sorgente luminosa (solo LED) sostituibile da un professionista: La

Fonte di luce LED contenuta in questo sistema di illuminazione dovrà essere sostituita solo dal produttore, dal suo agente di servizio o da una persona con qualifica simile.

54) Sorgente luminosa sostituibile da un professionista: La sorgente di luce contenuta in questo sistema di illuminazione dovrà essere sostituita solo dal produttore, dal suo agente di servizio o da una persona con qualifica simile. 55) Sorgente luminosa non sostituibile: La sorgente di luce di questo sistema di illuminazione non è sostituibile; quando la sorgente di luce giunge al termine del suo ciclo di vita, viene sostituito l'intero sistema di illuminazione. 56) Alimentatore sostituibile da parte di un utente finale. 57) Alimentatore sostituibile da un professionista. 58) Alimentatore non sostituibile 59) Non utilizzare il dispositivo di controllo con le mani bagnate, in ambienti con esposizione diretta all'acqua o in aree esterne. 60) Non fissare la sorgente luminosa attiva

**Regolamento sull'etichettatura energetica (UE) 2019/2015:** 61) Questo prodotto contiene una sorgente luminosa di classe di efficienza energetica A. 62) Questo prodotto contiene una sorgente luminosa di classe di efficienza energetica B. 63) Questo prodotto contiene una sorgente luminosa di classe di efficienza energetica C. 64) Questo prodotto contiene una sorgente luminosa di classe di efficienza energetica D. 65) Questo prodotto contiene una sorgente luminosa di classe di efficienza energetica E. 66) Questo prodotto contiene una sorgente luminosa di classe di efficienza energetica F. 67) Questo prodotto contiene una sorgente luminosa di classe di efficienza energetica G.

Il prodotto è specificatamente progettato e sviluppato per l'uso domestico esclusivamente in condizioni e funzionamento normali. La durata indicata sulla confezione è puramente una stima media (ai sensi degli standards L70B50 e delle norme IEC60969) ed è basata su un periodo di accensione medio di 3 ore al giorno. Nel caso in cui riscontrasse qualsiasi difficoltà nell'uso del prodotto, Le consigliamo di consultare dapprima il manuale dell'utente e le informazioni disponibili sul nostro sito Web. Ai termini e condizioni qui definiti, noi in qualità di produttore (Signify Netherlands B.V., International Business Reply Service I.B.R.S. / C.C.R.I. Numero 10461 5600 VB Eindhoven, Paesi Bassi) I garantiamo che il prodotto è privo di difetti nei materiali e nella lavorazione per un periodo di due (2) anni dopo la data di acquisto, a meno che sia indicato un diverso periodo nella o sulla confezione del prodotto e subordinatamente alla manutenzione del prodotto in conformità alle indicazioni di cura e pulizia definite nel manuale dell'utente. A meno che disposizioni legislative della normativa applicabile disciplinino diversamente, i nostri obblighi ai sensi della garanzia saranno limitati, a nostra scelta, alla riparazione, alla fornitura di un prodotto sostitutivo per il prodotto difettoso o all'offerta di un credito appropriato per il prezzo di acquisto per il suddetto prodotto difettoso.

(S)montaggio e/o (dis)installazione e costi della manodopera sono esclusi dalla garanzia, così come vetri rotti, batterie e lampade sostituibili. I nostri rimedi coperti da garanzia non estenderanno né rinnoveranno il periodo di garanzia originale applicabile. Abbiamo il diritto, a nostra scelta, di sostituire il prodotto difettoso coperto dalla garanzia con un prodotto che presenti differenze minime nel design e/o nelle specifiche che non incidono sulla funzionalità del prodotto. Al fine di essere legittimato a presentare un valido reclamo ai sensi della presente garanzia, Lei deve presentare a noi (o a un nostro rappresentante) su richiesta, un'adeguata ricevuta del Suo acquisto e il prodotto difettoso per l'analisi. Nella misura massima consentita dalla normativa applicabile, la presente politica definisce la nostra completa responsabilità come produttore, in connessione con prodotti difettosi o non conformi. Non saremo responsabili nei Suoi confronti per altre perdite o danni indiretti o consequenziali (inclusi, ma non limitati a perdita di dati o di profitti) né La risarciremo per attività, quale manutenzione regolare, salvataggio o ripristino di dati. I Suoi diritti garantiti dalla legge derivanti dalla normativa applicabile non sono lesi dalla presente garanzia volontariamente fornita dal produttore. Qualora Lei richieda assistenza per il prodotto in un Paese diverso da quello di acquisto, faremo quanto possibile per fornire assistenza per il prodotto rispetto ai termini della garanzia del Paese di acquisto del prodotto.

### Procedura di installazione

Fare riferimento al manuale di installazione per le operazioni dettagliate.

Avviare l'app WiZ per collegare il prodotto (fare riferimento alla Guida rapida all'avvio per maggiori dettagli sull'utilizzo dell'app WiZ).

### Garanzia

La garanzia è soggetta a rigorose condizioni d'uso. Per informazioni, consultare il nostro sito Web:

<https://www.wizconnected.com/en/consumer/support/>

### Specifiche wireless:

Banda di frequenza modalità RF wireless: 2.400 - 2.483,5 MHz

Potenza massima trasmessa:

Wi-Fi: max 20 dBm

Bluetooth: max 10 dBm

I prodotti non devono essere utilizzati con dimmer, altrimenti utilizzare l'applicazione WiZ.

Funzionalità on/off disponibile senza connessione Wi-Fi.

Con la presente, Signify dichiara che gli apparecchi per illuminazione WiZ è conforme alla direttiva sulle apparecchiature radio

2014/53/UE (RED). Il testo completo della dichiarazione di conformità UE è disponibile al seguente indirizzo Internet: [wizconnected.com](http://wizconnected.com)

Wi-Fi® e il logo Wi-Fi CERTIFIED sono marchi registrati di Wi-Fi Alliance.

Wi-Fi CERTIFIED™ e WPA2™, WPA3™ sono marchi registrati di Wi-Fi Alliance.

Scritte e loghi The Bluetooth® sono marchi registrati di proprietà di Bluetooth SIG, INC.

Amazon, Alexa e tutti i relativi loghi sono marchi di Amazon.com, Inc. o delle proprie consociate.

Google è un marchio registrato Google LLC. Siri è un marchio registrato di Apple inc.

Qualsiasi utilizzo di tali marchi da parte di Signify è autorizzato dietro licenza.

Altri marchi e nomi commerciali appartengono ai rispettivi proprietari.

## DA - SIKKERHEDSINSTRUKTIONER

Tak, fordi du har købt et WIZ-produkt. Vi er glade for, at du valgte WIZ-brændet, og vi er sikre på, at du får stor glæde af produktet. Denne manual B indeholder definitioner på alle potentielt relevante parametre og specifikationer med ikoner iht. internationale normer og sikkerhedsstandarder. De er dog muligvis ikke alle relevante for det produkt, du har købt - se ikonerne i den ekstra manual A for at identificere dem, der er særligt relevante for dette produkt.

Producenten understreger vigtigheden af korrekt anvendelse af belysningsarmaturer! Følg derfor altid disse instruktioner for at sikre, at armaturerne installeres på korrekt og sikker vis, og opbevar dem til senere brug. Du bør altid konsultere en fagmand mhp. at vælge den rigtige fastgørelsesmåde til sikker montering af produktet. Tag højde for produktets vægt og materialet på monteringsoverfladen. Spørg en kvalificeret eller autoriseret elektriker eller din forhandler til råds, hvis du er i tvivl. Sørg for, at produktet altid er installeret i henhold til de relevante regler. Vises regler angiver, at elektriske produkter kun må installeres af en autoriseret elektriker (f.eks. Part P for UK, AS/NZS3000 IN for AUSTRALIEN/NEW ZEALAND). Sluk altid for strømmen forud for installation, vedligeholdelse eller reparation. Vær opmærksom på ledningernes farve forud for installationen: blå (N) og brun (L) og ved beskyttelsesklasse I gul/grøn (jord). Monter vægglamper uden for børns rækkevidde. Hvis produktet monteres på en metaloverflade, skal denne overflade være forbundet til den beskyttende jordleder eller til installationens potentialudligningsledning. Sørg for at stramme klemeskruerne godt, særligt tilbehørsdelen til lavspænding (12V) (hvis relevant). Vi anbefaler kraftigt, at du jævnligt kontrollerer og strammer klemeskruerne. Opbevar emballagematerialet uden for børns rækkevidde (f.eks. plastikposer m.m.). Vedligehold indendørs belysning med en tør støveluld. Brug ikke slibe- eller opløsningsmidler. Undgå væsker på alle elektriske dele. Udskift straks et revnet eller ødelagt gennemsigtigt dæksel, og brug kun dele, der er godkendt af producenten. Vi anbefaler, at du kun bruger "WIZ"-pærer.

Hold dig orienteret om den lokale affaldsordning, -sortering og -indsamling for elektriske og elektroniske produkter og emballage. Følg de lokale regler, og bortskaf ikke dine udtjente produkter og emballage sammen med almindeligt husholdningsaffald. Korrekt bortskaffelse af emballagen, produktet og/eller batterier er med til at forhindre negative konsekvenser for miljøet og menneskers sundhed. Batterier skal bortskaffes separat fra den kommunale affaldsstrøm via særskilte indsamlingsordninger. Ved bortskaffelse af et produkt, der indeholder batterier, der ikke kan udskiftes af brugeren, skal batterierne fjernes af en fagperson.

**VIKTIGT!** Nedenfor finder du alle forklaringer med numerisk henvisning til de relevante ikoner foran sikkerhedsinstruktionerne:

01) Produktet må kun installeres indendørs. 02) Produktet er ikke egnet til installation på badeværelser, særligt ikke i den angivne zone. 03) Produktet er ikke egnet til direkte montering på normalt brændbare overflader. 04) Produktet er ikke egnet til overdækning med isolerende materiale. 05) Produktet er kun egnet til loftsmontering. 06) Produktet er kun egnet til vægmontering. 07) Produktet er egnet til væg- og loftsmontering. 08) Tag altid højde for minimumsafstanden angivet på ikonet mellem lampen og den oplyste genstand. 09) IPX1: Produktet er beskyttet mod dryppende vand. IPX3: Produktet kan udsættes for regndråber (faldende dråber under en maksimal vinkel på 60° i forhold til den lodrette akse). IPX4: Produktet er støvsikret: Det kan udsættes for vandstænk fra alle retninger (360°). IPX5: Produktet er beskyttet mod vandstråler. IPX7: Produktet kan installeres i jorden. IPX8: Produktet er beskyttet mod nedskendning ned til den angivne dybde. - IP5X: Produktet er støvsikkert. IP6X: Produktet er støvtæt. 10) Udskift straks revnet eller ødelagt sikkerhedsglas, og brug kun borsilikatdele med samme mål og en minimumstykkelse på 3 mm. 11) Beskyttelsesklasse I: Produktet eller komponenten har en jordforbindelse. Jordledningen (gul/grøn) skal forbindes til den klemme, der er mærket med beskyttelsesklasse I 12) Beskyttelsesklasse II: Produktet eller komponenten er forsynet med dobbelt eller forstærket isolering. 13) Beskyttelsesklasse III: Produktet eller komponenten er kun egnet til ekstra lav sikkerhedsspænding (< 50 V a.c., < 120 V d.c.). 14) Afisolér ledningen som angivet på ikonet. 15) Jordledningen skal altid være længere end den brune stromførende (L) og blå neutrale (N) ledning. 16) Det er et krav at anvende den medfølgende varmebestandige muffe over de ikkeafisolerede ledningslængder. 17) Produktet er kun egnet til direkte tilslutning til lysnettet. 18) - X-forbindelse: Ved skader på ledningen skal den udskiftes med en ledning af samme type. - Y-forbindelse: Ved skader på ledningen må den kun udskiftes af producenten, forhandleren eller en ekspert for at undgå risici. - Z-forbindelse: Denne lampes eksterne fleksible kabel eller ledning kan ikke udskiftes. Hvis ledningen beskadiges, skal lampen destrueres. 19) MAX. ...W: Brug kun pærer, der er egnede til dette produkt, og overhold den maksimale angivne værdi. 20) Produktet er kun egnet til reflektorpærer. 21) Produktet er kun egnet til CFL-i- eller LED-pærer (f.eks. E14, E27, Gu10, Gx53, ...) 22) Produktet er ikke egnet til CFL-i- eller LED-pærer (f.eks. E14, E27, Gu10, Gx53, ...) 23) Kun pærer med en diameter på 60 mm kan anvendes. Pærer med en diameter på 45 mm kan ikke bruges til dette produkt. 24) Brug kun globe-pærer med den angivne diameter. Brug aldrig standardglobe-pærer. 25) Dette produkt er kun egnet til kertepærer. 26) Produktet er kun egnet til pærer med indbygget sikkerhed eller lavtrykspærer. Ekstra sikkerhedsglas er ikke nødvendigt. 27) Kapsel- og lineære halogenpærer må ikke berøres med bare hænder. 28) Produktet er udstyret med en sikring. Hvis produktet ikke virker efter udfikning af pæren, skal den indbyggede sikring udskiftes. Dette skal gøres af en autoriseret elektriker, hvis der er mulighed for at berøre indvendige ledninger. 29) Produktet kan dæmpes med den medfølgende dæmper eller med en (ikke medfølgende) dæmper, der tilsluttes boligens elektriske installation. Læs mere på "Wizconnected.com". Spørg en autoriseret elektriker til råds om den egnede dæmperstype. 30) Produktet kan ikke dæmpes. 31) Produktet kan KUN dæmpes med den medfølgende lysdæmper. Må ikke tilsluttes flere lysdæmpere. 32) Lysdæmpningsfunktionerne afhænger af den valgte pære. Yderligere oplysninger om lysdæmpningsfunktionerne fås i informationspakken, der følger med pæren. 33) Produktet er udstyret med en sikkerhedstransformer. Udskift kun en ødelagt transformer med en transformer med identiske tekniske specifikationer. Kontakt en autoriseret elektriker eller din forhandler. 34) Produktet til brug i barske omgivelser. 35) Produktet med tids- og lysindstilling. Minimum og maksimum er angivet på ikonet. 36) Produktet kan monteres i op til en maksimumhøjde på 6 m. 37) For at opnå driftssikkerhed skal produktet monteres i den højde, der er angivet på ikonet. Detektorens maksimum- og minimumrækkevidde er også angivet. 38) Detektorens standardstyringsområde dækker det antal grader, der er angivet på ikonet. 39) Dette produkt skal monteres vandret. For at opnå længere levetid skal pæren placeres i en vinkel på under 4 grader. 40) Sørg for ikke at bore gennem stromførende ledninger eller andre hindringer i væggen eller loftet under installationen! 41) Avendes ikke i Danmark 42) Elektriske ledninger må aldrig klemmes eller vrides mellem produktet og monteringsoverfladen. 43) Dele af dette produkt kan blive varme. 44) Dette produkt er ikke egnet til børn under 14 år. 45) Produktet er kun egnet til personer over 18 år. 46) Monter produktet uden for rækkevidde (X1: for børn, X2: for voksne). 47) Produktet skal monteres af 2 personer. 48) For at undgå rustangreb, rengør ankeret mindst to gange om året med en blød klud eller et neutralt rengøringsmiddel (4 gange om året i kyst og industrielle områder). 49) Produktet kan kun indstilles under installationen med hjælp af værktøj. 50) Advarsel: Risiko for elektrisk stød! Lyskilden i dette armatur må kun udskiftes af producenten, af en vedligeholdelsesvirksomhed

udpeget af producenten eller af en tilsvarende kvalificeret virksomhed. 51) Lyskilde (kun LED), der må udskiftes af en slutbruger 52) Lyskilde, der må udskiftes af en slutbruger. 53) Lyskilde (kun LED), der skal udskiftes af en fagmand: LED lyskilden i denne lampe må kun udskiftes af forhandleren eller dennes servicepartner eller en lignende kvalificeret person. 54) Lyskilde, der skal udskiftes af en fagmand: Lyskilden i dette armatur må kun udskiftes af producenten, af en vedligeholdelsesvirksomhed udpeget af producenten eller af en tilsvarende kvalificeret virksomhed. 55) Lyskilde, der ikke kan udskiftes: Lyskilden i dette armatur kan ikke udskiftes. Når lyskilden er udtjent, skal hele armaturet udskiftes. 56) Betjeningselement, der må udskiftes af en slutbruger. 57) Betjeningselement, der skal udskiftes af en fagmand. 58) Betjeningselement, der ikke kan udskiftes. 59) Anvend ikke styringsenheden med våde hænder, i områder med direkte eksponering for vand eller uendørs. 60) Se ikke direkte ind i den tændte lyskilde

**Forordning om energimærkning (EU) 2019/2015:** 61) Dette produkt indeholder en lyskilde i energieffektivitetsklasse A. 62) Dette produkt indeholder en lyskilde i energieffektivitetsklasse B. 63) Dette produkt indeholder en lyskilde i energieffektivitetsklasse C. 64) Dette produkt indeholder en lyskilde i energieffektivitetsklasse D. 65) Dette produkt indeholder en lyskilde i energieffektivitetsklasse E. 66) Dette produkt indeholder en lyskilde i energieffektivitetsklasse F. 67) Dette produkt indeholder en lyskilde i energieffektivitetsklasse G.

Produktet er specifikt udformet og udviklet udelukkende til privat brug under normale forhold og normal drift. Levetiden, der er angivet på emballagen, er et gennemsnit (if henhold til standarderne L70B50 og IEC60969) og er baseret på et gennemsnit på tre timers brændetid pr. dag. Hvis du oplever problemer med brug af produktet, bedes du først se i brugsanvisningen eller læse oplysningerne på vores hjemmeside. I henhold til vilkårene og betingelserne i denne aftale garanterer vi (Signify Netherlands B.V., International Business Reply Service I.B.R.S. / C.C.R.I. Numéro 10461 5600 VB Eindhoven, Holland) som producent, at produktet er fejlfrit for materiale og produktionsfejl i en periode på to (2) år efter købsdatoen, medmindre en anden periode er angivet på produktets emballage, og hvis produktet vedligeholdes i henhold til vejledningen i vedligeholdelse og rengøring i brugsanvisningen. Medmindre gældende lovgivning siger andet, begrænser vores forpligtelser i henhold til denne garanti sig til, efter vores eget skøn, enten at reparere, tilbyde et erstatningsprodukt for det fejlbæftede produkt eller at tilbyde en passende kredit for købsprisen for det fejlbæftede produkt. (Af)montering og/eller (af)installation og arbejdsforløb er ikke omfattet af garantien, og glas, der går i stykker, batterier og udskiftelige pærer er heller ikke omfattet af garantien. Vores afhjælp i henhold til garantien hverken forlænger eller formyr den gældende garantiperiode. Vi har ret til, efter eget skøn, at erstatte det fejlbæftede produkt, der er omfattet af garantien, med et produkt, der afviger en smule i design og/eller specifikationer, forudsat at dette ikke påvirker produktets funktioner. For at være berettiget til at gøre et krav gældende i henhold til denne garanti skal du på anmodning fremsætte et gyldigt købsbevis og det fejlbæftede produkt, så det kan analyseres. I det omfang, loven tillader det, indeholder denne garanti hele det ansvar, vi som producent har i forbindelse med fejlbæftede produkter eller produkter, der ikke lever op til standarderne. Vi er ikke ansvarlige for dig i for tab eller indirekte skader eller følgeskader (herunder, men ikke begrænset til, tab af data eller indkomst), og vi kompensere heller ikke for aktiviteter såsom almindelig vedligeholdelse, lagring eller gendannelse af data. Dine lovfæstede rettigheder påvirkes ikke af denne frivilligt udarbejdede producentgaranti. Hvis du tilbyder dit produkt til service i et andet land end det land, hvor du købte det, forsøger vi at få dit produkt servicert i henhold til garantikravene i det land, hvor du købte produktet.

### Installationstrin

Se detaljerede trin i installationsvejledningen.

Start WiZ appen for at tilslutte produktet (Se flere detaljer om betjening af WiZ appen i lynvejledningen).

### Garanti

Garantien er underlagt strenge krav til brug. Få flere oplysninger på vores website:

<https://www.wizconnected.com/en/consumer/support/>

### Trådløs specifikation:

Trådløst RF-frekvensbånd: 2,400-2,483,5 MHz

Maks. overført effekt:

Wi-Fi: Maks. 20 dBm

Bluetooth: Maks. 10 dBm

Produktet må ikke bruges med lysdæmpere. Brug WiZ-appen til dæmpning.

Kan tændes/slukkes uden Wi-Fi-tilslutning.

Signify erklærer hermed, at radioudstyret type WiZ-armaturer overholder direktiv 2014/53/EU (RED), EU-overensstemmelseserklæring Ni gns fulde ordlyd kan ses på følgende internetadresse: [www.wizconnected.com](http://www.wizconnected.com)

Wi-Fi\* og Wi-Fi CERTIFIED-logoet er registrerede varemærker tilhørende Wi-Fi Alliance.

Wi-Fi CERTIFIED™ og WPA2™, WPA3™ er varemærker tilhørende Wi-Fi Alliance.

Bluetooth® og Bluetooth™-logoerne er registrerede varemærker tilhørende Bluetooth SIG, INC.

Amazon, Alexa og alle relaterede logoer og varemærker er varemærker tilhørende Amazon.com, Inc. eller associerede selskaber.

Google er et varemærke tilhørende Google LLC, Siri er et registreret varemærke tilhørende Apple Inc.

Al brug af sådanne mærker fra Signifys side er på licens.

Andre varemærker og handelsnavne tilhører deres respektive ejere.

### FI - TURVALLISUUSOHJEET

Kiitos tämän WiZ-tuotteen ostamisesta. Arvostamme sitä, että valitsit WiZ-tuotteen. Toivotamme runsaasti mukavia hetkiä tuotteen käyttämisessä. Opas B sisältää kaikkien mahdollisesti sovellettavien parametrien ja teknisten tietojen määritelmät ja kuvakkeet kansainvälisten normien ja turvallisuusstandardien mukaisesti. Kaikki tiedot eivät välttämättä kuitenkaan koske ostamaasi tuotetta. Katso erityisesti tätä tuotetta koskevat kuvakkeet lisäoppaasta A.

Valmistaja neuvoo, kuinka valaisimet kiinnitetään oikein. Noudata näitä ohjeita, jotta kiinnitys oikea ja turvallinen asennus sekä toiminta varmistetaan. Säilytä ohjeet tulevaa käyttöä varten. Kysy aina ammattilaisen neuvoa oikean kiinnityksen valinnassa, jotta tuoteeseen kiinnityksessä tulee tukeva. Ota huomioon tuotteen paino ja kiinnityspinnan materiaali. Jos olet epävarma, kysy lisätietoja pätevästä sähköasentajalta tai ota yhteyttä jälleenmyyjään. Varmista, että tuote asennetaan aina asianmukaisen määräyksen mukaisesti. Tiettyjen määräysten mukaan sähkölaitteiden asennus vaatii aina pätevän sähköasentajan (esim. Part P – Iso-Britannia, AS/ENZ3000 IN – AUSTRALIA/US/ISEEALANTI). Katkaise virta aina ennen asennusta tai huolto- ja korjaustöitä. Huomioi johtojen oikeat värit ennen asennusta: sininen (N), ruskea (L) ja keltainen/vihreä (maadoitus, suojausluokka I). Kiinnitä seinävalaisimet lasten ulottumattomiin. Jos tuote kiinnitetään metallipinnalle, pinnan on oltava yhteydessä suojattuun maadoitusliitäntään tai asennuksen samapotentiaalisien liitäntään. Kiinnitä liitäntäruuvit aina tiukasti etenkä pienen jännitteen johtoja (12 V) kiinnitettäessä. On erittäin suositeltavaa tarkastaa ja kiristää liitäntäruuvit säännöllisesti. Säilytä pakkausmateriaalit (esim. muovipussit) lasten ulottumattomissa. Pyyhi sisävalaisimen pölystä ja kuivalta liinalta. Älä käytä hankavia puhdistusaineita tai liuottimia. Älä päästä mitään nestettä sähköisiin osiin. Valoisa haljennut tai rikkikinainen läpikuultava suojus välittömästi ja käytä ainoastaan valmistajan hyväksymiä osia. On suositeltavaa käyttää ainoastaan WiZ-lamppuja.

Älä Ota selvää paikallisesta sähkö- ja elektroniikkatuotteiden sekä pakkausten hävitys-, erottelu- ja keräysjärjestelmästä. Noudata paikallisia määräyksiä, jotka hävittää vanhoja tuotteita ja pakkauksia tavallisen kotitalousjätteen mukana. Pakkauksen, tuotteen ja/tai paristojen asianmukainen hävittäminen auttaa ehkäisemään mahdollisia haittoja ympäristölle ja ihmisten terveydelle. Paristot on hävitettävä yhdyskuntajätteestä erillään määrättyjen keräyspisteiden kautta. Muita kuin käyttäjän vaihdettavissa olevia paristoja sisältäviä tuotteita hävitettäessä muiden kuin käyttäjän vaihdettavissa olevien paristojen poistaminen on jätettävä ammattilaisen tehtäväksi.

**HUOMAUTUS:** Seuraavassa luettelossa selitetään näiden turvallisuusohjeiden alussa esitellyt kuvakkeiden merkitys. Numeroitui viittaa vastaaviin kuvakkeisiin. 01) Tuotteen saa asentaa vain sisätiloihin. 02) Tuote ei sovi asennettavaksi kylpyhuoneeseen eikä missään nimessä kuvakkeessa määrättyille alueille. 03) Tuote ei sovi kiinnitettäväksi suoraan normaalisti syytville pinnolle. 04) Tuotetta ei saa peittää eristysmateriaaleilla. 05) Tuote sopii kiinnitettäväksi ainoastaan kattoon. 06) Tuote sopii kiinnitettäväksi ainoastaan seinälle. 07) Tuote sopii kiinnitettäväksi seinälle tai kattoon. 08) Huomioi aina kuvakkeissa ilmoitettu vähimmäisetäisyys valaisimen ja valaistavan kohteen välillä. 09) IPX1: tuote on suojattu tippuvaalta vedeltä. IPX3: tuote on sateenkestävä (suojaus ylhäältä enintään 60 asteen kulmassa tulevalta vedeltä). IPX4: tuote kestää roiskeet eli se on suojattu joka suunnasta (360°) tulevalta vedeltä. IPX5: tuote kestää vesisuihkun. IPX7: tuote voidaan asentaa maahan. IPX8: tuote voidaan upottaa veteen ilmoitettuun syvyyteen asti. IPX9: tuote on pölysuojattu. IP6X: tuote on pölytiivis. 10) Valido haljennut tai rikkikinäinen suojalasi välittömästi ja käytä ainoastaan samankokoisia borosilikaattista valmistettuja osia, joiden vähimmäispaksuus on 3 millimetriä. 11) Suojausluokka I: tuotteensta tai osassa on maadoitusliitäntä. Maadoitusjohto (keltainen/vihreä) on kytkettävä liitäntään, jossa on merkki suojausluokka I. 12) Suojausluokka II: tuotteensta tai osassa on kaksinkertainen tai vahvistettu eristys. 13) Suojausluokka III: tuote tai osa sopii käytettäväksi ainoastaan erittäin alhaisessa jännitteessä (<50 V AC, <120 V DC). 14) Kuori johto kuvakkeen mukaisesti. 15) Maadoitusjohdon on aina oltava pidempi kuin ruskea johto (L) ja sininen neutraali johto (N). 16) Tuotteen mukana toimitettu lämmönkestävä kotelo on asetettava kuorittujen johtojen päälle. 17) Tuote voidaan liittää ainoastaan suoraan verkkovirtaan. 18) X-liitäntä: viotuttuun johtoon on vaihdettava samantyyppiseen johtoon. Y-liitäntä: riskien välttämiseksi vain valmistaja, jälleenmyyjä tai asiantuntija saa vaihtaa viotuttuun johdon. Z-liitäntä: Valaisimen ulkoista joustavaa johtoa ei voi vaihtaa. Jos johto on viotuttu, valaisin on hävitettävä. 19) MAX ...W: käytä ainoastaan tuotteensooite sopivia lampuja ja noudata enimmäistehojohtotuksia. 20) Tuotteensooite voi käyttää ainoastaan heijastinlampuja. 21) Tuotteensooite voi käyttää ainoastaan CFL- tai LED-lampuja (esim. E14, E27, Gu10, Gx53). 22) Tuotteensooite ei voi käyttää CFL- tai LED-lampuja (esim. E14, E27, Gu10, Gx53). 23) Tuotteensooite voi käyttää ainoastaan halkaisijaltaan 60 millimetrin lampuja. Halkaisijaltaan 45 millimetrin lampuja ei saa käyttää. 24) Käytä ainoastaan pallomaisia lampuja, joiden halkaisija on sallittu. Älä koskaan käytä vakioheikälampuja. 25) Tuotteensooite voi käyttää ainoastaan kynttilänmuotoisia lampuja. 26) Tuotteensooite voi käyttää ainoastaan matalapainelampuja tai sellaisia lampuja, joissa on sisäinen suojaus. Ylimääräistä suojauslasi ei tarvita. 27) Kapsetli- ja lineaarisin halogeenilamppuihin ei saa koskea patjain käsin. 28) Tuotteensooite on sulake. Jos tuote ei toimi lampun vaihtamisen jälkeen, sisäinen sulake on vaihdettava. Sähköasentajan on vaihdettava sulake, jos valonhoon aikana on vaaran koskea sisäisiin johtoihin. 29) Tuote voidaan himmentää mukana toimitetulla himmentimellä tai kodin sähköjärjestelmään kytkettävällä himmentimellä (ei sisällä pakkauksesta). Katso lisätietoja osoitteesta WiZconnected.com. Kysy pätevästä sähköasentajalta lisätietoja oikeanlaisen himmentimen valitsemisesta. 30) Valaisinta ei voi himmentää. 31) Valaisimen saa himmentää VAIN mukana toimitetulla himmentimellä. Älä liitä laitetta toiseen himmentimeen. 32) Himmennettävyysominaisuudet riippuvat valitusta lampusta. Himmennettävyysominaisuuksista on lisätietoja lampun mukana toimitetussa tietopakkausissa. 33) Tuotteensooite on turvamuuntaja. Valhda viallinen muuntaja uuteen muuntajaan, jonka tekniset tiedot ovat samat. Kysy lisätietoja pätevästä sähköasentajalta tai jälleenmyyjältä. 34) Tuote kestää kovaa käyttöä. 35) Tuote sisältää ajastimen ja sen valaistusasetuksia voi muuttaa. Vähimmäis- ja enimmäisarvat on ilmoitettu kuvakkeessa. 36) Tuote voidaan kiinnittää enintään 6 metrin korkeuteen. 37) Jotta tuote toimisi kunnolla, se on kiinnitettävä kuvakkeessa ilmoitettuun korkeuteen. Tunnistimen toiminta-alue on myös ilmoitettu. 38) Tunnistimen tavallinen toiminta-alue on ilmoitettu kuvakkeessa asteina. 39) Tuote on asennettava vaakasuoraan. Lampun eliniän pidentämiseksi lampun kulma saa olla enintään 4 astetta. 40) Varmista asennuksen aikana, ettei poraa sähköjohtoon tai muuhun seinään tai katon sisällä olevaan esteeseen. 41) Jos tuote kiinnitetään katto- tai seinärasiaan, rasiassa on oltava kaksi (esimerkiksi Alankomaissa). 42) Sähköjohtoja ei saa koskaan kiristää tai vääntää tuotteen ja kiinnityspinnan väliin. 43) Tuotteen osat saattavat kuumentua. 44) Tuote ei sovi alle Y vuoden ikäisille lapsille. 45) Tuotteen käyttäjän on oltava vähintään Y-vuotias. 46) Kiinnittä tuote käden ulottumattomiin (lapset: X1, aikuiset: X2). 47) Tuotteen asennus vaatii 2 henkilöä. 48) Ruosteesteiden välttämiseksi puhdista ankuri vähintään kahdesti vuodessa pehmeällä kankaalla tai neutraalilla pesuaineella (4 kertaan vuodessa rannikko- ja teollisuusalueilla) 49) Tuotetta voidaan säätää asennuksen aikana vain työkalun avulla. 50) Varoitus: sähköiskun vaara! Valaisimen valonlähteen saa vaihtaa ainoastaan valmistaja, valtuutettu huoltoliike tai muu ammattitaitoinen henkilö. 51) Käyttäjän vaihdettava (vain LED) valonlähde. 52) Käyttäjän vaihdettava valonlähde. 53) Ammattilaisen vaihdettava (vain LED) valonlähde: Tämän valaisimen sisältämän LED-valonlähteen saa vaihtaa vain valmistaja, valtuutettu huoltokorjaamo tai valtuutettu henkilö. 54) Ammattilaisen vaihdettava valonlähde: Tämän valaisimen sisältämän valonlähteen saa vaihtaa vain valmistaja, valtuutettu huoltokorjaamo tai valtuutettu henkilö. 55) Ei vaihdettava valonlähde: Valaisimen valonlähde ei voi vaihtaa. Kun valaisimen käyttöikä on lopussa, koko valaisin on vaihdettava uuteen. 56) Käyttäjän vaihdettava ohjauslaite. 57) Ammattilaisen vaihdettava ohjauslaite.



58) Ei valfindettava ohjaislaite. 59) Älä kätä ohjaislaitetta märin käsin, veden kanssa suorassa kosketuksessa olevilla alueilla tai ulkollisissa. 60) Älä tuijota valonlähdettä.

**Energiamerkintäasetus (EU) 2019/2015:** 61) Tämä tuote sisältää valonlähteen, jonka energiatehokkuusluokka on A. 62) Tämä tuote sisältää valonlähteen, jonka energiatehokkuusluokka on B. 63) Tämä tuote sisältää valonlähteen, jonka energiatehokkuusluokka on C. 64) Tämä tuote sisältää valonlähteen, jonka energiatehokkuusluokka on D. 65) Tämä tuote sisältää valonlähteen, jonka energiatehokkuusluokka on E. 66) Tämä tuote sisältää valonlähteen, jonka energiatehokkuusluokka on F. 67) Tämä tuote sisältää valonlähteen, jonka energiatehokkuusluokka on G

Tämä tuote on suunniteltu ja kehitetty kotikäyttöön ja käytettäväksi vain tavanomaisissa olosuhteissa. Pakkauksessa ilmoitettu käyttöikä on vain keskimääräinen (L70B50-standardien ja IEC60969-normien mukaan), ja se perustuu keskimäärin 3 tunnin päivittäiseen käyttöön. Jos tuotetta käytettäessä ilmenee ongelmia, on suositeltavaa tutustua käyttöohjeeseen ja sivustossa näkyviin tietoihin. Näiden ehtojen mukaisesti valmistaja (Signify Netherlands B.V., International Business Reply Service I.B.R.S. / C.C.R.I. Numéro 10461 5600 VB Eindhoven, Alankomaat) takaa 2 (kahden) vuoden ajan ostopäivästä, että tuotteessa ei ole materiaali- eikä valmistusvikoja, ellei tuotteen pakkauksessa ole mainittu muuta takuuaikaa, edellyttäen, että tuote pidetään kunnossa ja puhdistetaan noudattaen käyttöohjeessa annettuja ohjeita. Ellei pakottavasta lainsäädännöstä muuta johdu, takuuseen pohjautuvat velvoitteemme rajoittuvat valintamme mukaan tuotteen korjaamiseen, viallisen tuotteen vaihtamiseen uuteen tai viallisen tuotteen ostohinnan hyvittämiseen. Takuu ei kata irrotus-, kiinnitys- ja/tai fyokustannuksia eikä lasin särkimistä, akkuja eikä vaihtolampuja. Takuun voimassaoloaikana tehdyt toimenpiteet eivät pidennä alkuperäistä takuuaikaa eivätkä toimi uuden takuun perusteena. Olemme oikeutettuja valintamme mukaan vaihtamaan takuun kattaman viallisen tuotteen tuoteeseen, jonka muotoilu poikkeaa ja/tai tekniset tiedot poikkeavat siitä vähäisessä määrin valkuttamatta tuotteen toimintaan. Tähän takuuseen vetoaminen edellyttää, että pyydettyä esität meille (tai edustajallemme) ostokutin ja viallisen tuotteen analysointia varten. Sovelletavan lainsäädännön sallimassa laajuudessa tämä käytäntö määrittää valmistajan kaiken vastuun, joka aiheutuu viallisista tai vaatimuksia täyttämättömistä tuotteista. Emme ole vastuussa muista menetyksistä emmekä epäsuorista tai seuraamuksellisia vahingoista, mukaan lukien tietojen tai tulojen menettäminen mutta niihin rajoittumatta. Emme ole myöskään velvollisia korvaamaan esimerkiksi säännöllisen kunnossapidon tai tietojen tallentamisen tai palauttamisen aiheuttamia kustannuksia. Tämä valmistajan vapaaehtoisesti myöntämä takuu ei vapauta lakisääteisiin oikeuksiin. Jos vaadit tuotteellesi huoltoa muussa maassa kuin sen ostopaassa, yritämme järjestää tuotteellesi huollon tuotteen ostopaassa voimassa olevien takuehtojen mukaisesti.

### Asennuksen vaiheet

Katso tarkat ohjeet asennusoppaasta.

Käynnistä WiZ-sovellus tuotteen yhdistämistä varten (katso pikaoppaasta lisätietoja WiZ-sovelluksen toiminnasta).

### Takuu

Takuuta koskevat tiukat käyttöehdot, joista lisätietoja on verkkosivustollamme: <https://www.wizconnected.com/en/consumer/support/>

### Langattoman käytön tekniset tiedot:

Langattoman käytön radiotaajuuskaista: 2 400 – 2 483,5 MHz

Enimmäislähetysteho:

Wi-Fi: maks. 20 dBm

Bluetooth: maks. 10 dBm

Tuotteella ei saa käyttää himmentimien kanssa. Käytä himmentämiseen WiZ-sovellusta.

Lampun saa päälle ja pois ilman Wi-Fi-yhteyttä.

Signify vakuuttaa täten, että langaton WiZ-valaisimissa käytettävä radiolaitetyyppi on direktiivien 2014/53/EU (RED) mukainen. EU:n

tekstimuistutusvakuutuksen koko teksti on saatavana seuraavassa sivustossa: [wizconnected.com](http://wizconnected.com)

Wi-Fi\* ja Wi-Fi CERTIFIED -logo ovat Wi-Fi Alliancen rekisteröityjä tavaramerkkejä.

Wi-Fi CERTIFIED™ ja WPA2™, WPA3™ ovat Wi-Fi Alliancen tavaramerkkejä.

Bluetooth®-sana ja -logot ovat Bluetooth SIG, INC:n rekisteröityjä tavaramerkkejä.

Amazon, Alexa ja kaikki niihin liittyvät logot ovat Amazon.com, Inc:n tai sen tytäryhtiöiden tavaramerkkejä.

Google on Google LLC:n tavaramerkki. Siri on Apple Inc:n rekisteröity tavaramerkki.

Signifyn mahdollisesti käyttäminä ne on lisensoitu asianmukaisesti.

Kaikki muut tavaramerkit ja kaupanimet ovat omistajayritystensä omaisuutta.

## SV - SÄKERHETS INSTRUKTIONER

Tack för att du har köpt denna WiZ-produkt. Vi uppskattar att du har valt WiZ-varumärket och hoppas att du får stor glädje av produkten. Användarhandbok B innehåller definitioner för alla potentiellt gällande parametrar och specifikationer med ikoner enligt internationella normer och säkerhetsstandarder. Alla galler dock inte för den produkt du har köpt – se ikonerna i användarhandbok

A för de som särskilt galler den här produkten.

Tillverkaren tillhandahåller anvisningar om korrekt användning av belysningsarmaturer! Följ därför alltid dessa anvisningar för att säkerställa korrekt och säker installation och funktion. Spara anvisningarna för framtida referens. Rådfråga alltid en expert, så att du väljer rätt fäste för säker montering av produkten. Ta med produktens vikt och monteringssyrens material i beräkningen. Vid minsta tvekan kan du rådfråga en auktoriserad elektriker eller kontakta återförsäljaren. Kontrollera att produkten alltid är installerad i enlighet med relevanta bestämmelser. Enligt vissa bestämmelser måste elektriska produkter installeras av en auktoriserad elektriker (till exempel Del P för Storbritannien, AS/NZS3000 IN för AUSTRALIEN/NYA ZEELAND). Stäng alltid av strömmen innan du installerar, reparerar eller gör underhåll på produkten. Observera korrekt färg på kablarna innan installationen: blå (N), brun (L) och vid skyddsklass I, gul/grön (jord). Montera vägglampor utom räckhåll för barn. Om produkten monteras på en metallyta, måste ytan förbindas med ledaren för

skyddsörf eller med installationens ledare för ekvipotentiaförbindning. Öra alltid att skruvarna i Kopplingsplinten ordentligt/ särskilt Tor- i jägvlut (12 V) (om sådana finns). Vi rekommenderar starkt att regelbundet kontrollera och skruva åt skruvarna. Förvara förpackningsmaterial (till exempel plastpåsar) utom räckhåll för barn. Rengör inomhusarmaturer med en torr dammsuga. Använd inte löslösmedel eller lösningsmedel. Håll vätska borta från alla elektriska delar. Byt omedelbart ut spruckna eller trasiga genomskinliga lock och använd bara defeta som är godkända av tillverkaren. Vi rekommenderar att du enbart använder glödlampor från WIZ.

17 Se till att skaffa dig kunskap om de lokala systemen för bortskaftande, sortering och insamling av avfall gällande elektriska och elektroniska produkter och förpackningar. Agera i enlighet med lokala regler och släng inte bort din gamla produkt och förpackning tillsammans med vanligt hushållsavfall. Korrekt bortskaftande av förpackningen, din produkt och/eller batterier hjälper till att förebygga potentiella negativa konsekvenser för miljön och för människors hälsa. Batterier ska slängas separat från det kommunala avfallsordnet via särskilda insamlingsanläggningar. När du slänger en produkt som innehåller batterier som inte kan bytas ut av användaren ska de batterier som inte kan bytas ut av användaren avlägsnas av en yrkesperson.

**OBS!** Nedan finns en förklaring och nummerhänvisning till ikonerna på framsidan av säkerhetsinstruktionerna:

- 01) Produkten är endast avsedd för inomhusbruk. 02) Produkten är inte lämplig att installeras i badrum, särskilt inte inom angivna zoner. 03) Produkten är inte lämplig för direkt montering på normalt lättåttändliga ytor. 04) Produkten är inte lämplig för övertäckning av värmeisolerande material. 05) Produkten är endast avsedd för takmontering. 06) Produkten är endast avsedd för väggmontering. 07) Produkten är avsedd för vägg- eller takmontering. 08) Observera alltid minsta avstånd, som anges på ikonerna, mellan lampan och objektet som ska belysas. 09) IPX1: Produkten är skyddad mot droppande vatten. IPX3: Produkten kan utsättas för regndroppar (fallande droppar under en maximal vinkel på 60° till vertikalexeln). IPX4: Produkten är stänksäker, den kan utsättas för stänkande vatten som kommer från alla vinklar (360°). IPX5: Produkten är skyddad mot strilande vatten. IPX7: Produkten kan installeras i marken. IPX8: Produkten kan användas i vatten till angivet djup. · IPX5: Produkten är dammskyddad. IPX6: Produkten är dammtät. 10) Byt omedelbart ut krossat eller skadat skyddsglas och använd endast borsilikatdelar av samma mått, med minst 3 mm tjocklek. 11) Skyddsklass I: produkten eller komponenten har en anslutning till jord. Jordledningen (gul/grön) ska anslutas till klämmarna märkt med skyddsklass I. 12) Skyddsklass II: produkten eller komponenten har dubbel eller förstärkt isolering. 13) Skyddsklass III: produkten eller komponenten är endast lämplig för jägvlut (< 50 V AC, < 120 V DC). 14) Skala av kabeln som anges på ikonerna. 15) Jordledningen måste alltid vara längre än den bruna strömförande (L) och den blå neutrala (N) kabeln. 16) De medföljande värmeskyddande slangarna ska träs över ledningsdelarna. 17) Produkten är endast lämplig för direkt anslutning till elnätet. 18) · X-anslutning: Om ledningen skadas måste den bytas ut mot en ledning av samma typ. · Y-anslutning: Om ledningen skadas får den endast bytas ut av tillverkaren, återförsäljaren eller en expert, för att undvika risker. · Z-anslutning: Den externa, flexibla kabeln eller sladden till den här armaturen kan inte bytas ut. Om sladden skadas ska armaturen förskas. 19) MAX. ...W: använd endast glödlampor som är lämpliga för den här produkten och inom angivet maximalt wattal. 20) Produkten är endast lämplig för reflektorlampor. 21) Produkten är endast lämplig för CFL- eller LED-lampor (till exempel E14, E27, GU10, Gx53) 22) Produkten är inte lämplig för CFL- eller LED-lampor (till exempel E14, E27, GU10, Gx53) 23) Endast en glödlampa med en diameter på 60 mm kan användas. En glödlampa med en diameter på 45 mm kan inte användas med den här produkten. 24) Använd endast en glödlampa med samma diameter som anges. Använd aldrig en vanlig glödlampa. 25) Produkten är endast avsedd för kronljusformade glödlampor. 26) Produkten är endast avsedd för en glödlampa med inbyggt skydd eller en lågtryckslampa. Det behövs inget extra säkerhetsglas. 27) Vidrör inte kapselformade och linjära halogenlampor med bara händerna. 28) Produkten är utrustad med en säkring. Om produkten är trasig efter att glödlampan har bytts ut måste den interna säkringen också bytas ut. Det måste utföras av en kvalificerad elektriker om det finns risk för kontakt med interna kablar. 29) Produkten kan dimras med den medföljande dimmern eller med en dimmer som ansluts till elinstallationen i hemmet (medföljer inte). Mer information finns på WIZconnected.com. Rådfråga en kvalificerad elektriker så, lätt du väljer rätt typ av dimmer. 30) Produkten kan inte dimras. 31) Produkten kan endast dimras med den medföljande dimmern. Anslut den inte till ytterligare en dimmer. 32) Dimbarheten beror på vald ljuskälla. Mer information om dimbarheten finns i informationspaketet som medföljer glödlampan. 33) Produkten fungerar med en säkerhetstransformator. Byt endast ut en trasig transformator mot en transformator som har samma tekniska specifikationer. Rådfråga en elektriker eller återförsäljaren. 34) Produkt för tuffa förhållanden. 35) Produkten har funktioner för tid- och ljusinställning. Minimum och maximum anges på ikonerna. 36) Produkten kan monteras på en maximal höjd av 6 m. 37) För tillförlitlig drift måste produkten monteras på den höjd som anges på ikonerna. Största och minsta avstånd för detektorn anges också. 38) Det aktiva området som detektorn täcker är inom de grader som anges på ikonerna. 39) Produkten ska monteras horisontellt. För längre livslängd ska glödlamporna inte lita mer än 4 grader. 40) Se till att du inte borrar genom elkablar eller något annat hinder i väggen eller i taket under installationen. 41) Om produkten monteras på en dosa i taket eller på väggen, måste dosan först täckas med ett lock (gäller bland annat i Nederländerna). 42) Elkablage får inte klämmas eller vridas mellan produkten och monteringsunderlaget. 43) Produkten innehåller delar som kan bli varma. 44) Produkten är inte lämplig för användning per år. 45) Produkten är inte lämplig för personer över 7 år. 46) Montera produkten utom armlängds räckhåll (X1: för barn, X2: för vuxna). 47) Två personer krävs för att montera produkten. 48) För att undvika rostattacker, rengör ankarst mitt två gånger per år med en mjuk trasa eller neutralt tvättmedel (4 gånger per år i kust- och industriområden) 49) Det krävs verktyg för att installera produkten. 50) Varning! Risk för elektriska stötar! Ljuskällan i den här armaturen får endast bytas ut av tillverkaren eller en serviceagent eller liknande behörig person. 51) Ljuskälla (endast LED) som kan bytas ut av slutanvändaren. 52) Ljuskälla som kan bytas ut av slutanvändaren. 53) Ljuskälla (endast LED) som kan bytas ut av enackman: LED-ljuskällan i den här armaturen får enbart bytas ut av tillverkaren, tillverkarens ombud eller liknande ackman. 54) Ljuskälla som kan bytas ut av enackman: Ljuskällan i den här armaturen får enbart bytas ut av tillverkaren, tillverkarens ombud eller liknande ackman. 55) Ljuskälla som inte kan bytas ut: Ljuskällan i den här armaturen går inte att byta ut. När Ljuskällan är uttjänt ska hela armaturen bytas ut. 56) Styrsystem som kan bytas ut av slutanvändaren. 57) Styrsystem som kan bytas ut av enackman. 58) Styrsystem som inte kan bytas ut. 59) Använd inte styrenheten med våta händer, i utrymmen där den utsätts för vatten eller utomhus. 60) Titta inte rakt in i en ljuskälla som är tänd.
- Energimärkningsförordning (EU)2019/2015:** 61) Denna produkt innehåller en ljuskälla av energieffektivitetsklass A. 62) Denna produkt innehåller en ljuskälla av energieffektivitetsklass B. 63) Denna produkt innehåller en ljuskälla av energieffektivitetsklass C. 64) Denna produkt innehåller en ljuskälla av energieffektivitetsklass D. 65) Denna produkt innehåller en ljuskälla av energieffektivitetsklass E. 66) Denna produkt innehåller en ljuskälla av energieffektivitetsklass F. 67) Denna produkt innehåller en ljuskälla av energieffektivitetsklass G. Den här produkten har designats och utformats specifikt enbart för användning i hemmet under normala förhållanden och normal drift.

Livs-længden som angives på forpækningen er endast ett gjennomsnitt (enligt standarderna L70B50 och IEC60969) og baseres på en gjennomsnittlig brenntid på 3 timmar om dagen. Om du støter på några problem við användningen av produkten rekommenderar vi att du först og främst läser användarhandboken og informationen på vår webbplats. I enlighet med dessa villkor, garantier vi, i egenskap av tillverkare (Signify Netherlands B.V., International Business Reply Service I.B.R.S./C.C.R.I. Numérog 10461 5600 VB Eindhoven, Nederländerna) att produkten är fri från material- og tillverkningsdefekter under en period om två (2)-år efter inköpsdatum, såvida ingen annan tidsperiod anges på produktens förpackning, förutsatt att produkten underhålls i enlighet med skötsel- og rengöringsanvisningarna som beskrivs i användarhandboken. Förutsatt att tillämplig lag inte anger något annat, är våra skyldigheter enligt garantin begränsade till att vi, enligt vårt eget val, antingen reparerar, tillhandahåller en ersättningsprodukt för den defekta produkten eller erbjuder en lämplig kredit för den defekta produktens inköpspris. (Ned)montering och/eller (av)installation og arbetskostnader ingår inte i garantin. Detsamma gäller trasigt glas, batterier og utbytbara ljuskällor. Vår kompensasjon enligt garantin innebär inte en förlängning eller förnyelse av den ursprungliga garantiperioden. Vi har rätt att efter eget val ersätta den defekta produkten som omfattas av garantin, med en produkt som skiljer sig något i design og/eller specifikationer som inte påverkar produktens funktioner. För att du ska vara berättigad att göra gällande ett giltigt krav enligt denna garanti måste du på begäran tillhandahålla oss (eller vår representant) ett fullgott köpebevis og den defekta produkten för analys. I den största utsträckning som tillåts enligt tillämplig lag beskriver denna policy hela vårt ansvar som tillverkare i samband med defekta produkter eller produkter som inte oppfyller specifikationerna. Vi ansvarar inte för andra förluster, indirekta skador eller följdskador (inklusive, men inte begränsat till, förlust av data eller inkomst). Vi kompenserar dig inte heller för aktiviteter så som regelbundet underhåll, sparande eller återställning av data. Dina lagstadgade rättigheter enligt tillämplig lag påverkas inte av denna frivilligt tillhandahållna garanti från tillverkaren. Om du erbjuder din produkt för service i ett annat land än där du köpte produkten kommer vi att försöka utföra service på produkten enligt garantivillkoren i landet där du köpte produkten.

### Installationssteg

Se installationsmanualen för detaljerade steg.

Starta WIZ-appen för att ansluta produkten (se snabbstartshandboken för mer informasjon om hur WIZ-appen fungerar).

### Garanti

Garanti är föremål för strikta villkor. Mer informasjon finns på vår webbplats: <https://www.wizconnected.com/en/consumer/support/>

### Trådlös specifikation:

Trådlöst frekvensband (RF): 2 400-2 483,5 MHz

Max. överbörd effekt:

Wi-Fi: max 20 dBm

Bluetooth: max 10 dBm

Produkterna får inte användas med dimmer, använd WIZ för dimning.

AV-funktionalitet finns utan Wi-Fi-anslutning.

Härmed intygar Signify att radioutrustningstypen WIZ-armaturer överensstämmer med direktiv 2014/53/EU (RED). Den fullständiga texten till EG-försäkran om överensstämmelse finns på följande internetadress: [wizconnected.com](http://wizconnected.com)

Wi-Fi® og Wi-Fi-CERTIFIED-logotypen är registrerade varumärken som tillhör Wi-Fi Alliance.

Wi-Fi-CERTIFIED™, WPA2™, WPA3™ är varumärken som tillhör Wi-Fi Alliance.

Bluetooth®-ordet og -logotyperna är registrerade varumärken som tillhör Bluetooth SIG, INC.

Amazon, Alexa og alla relaterade logotyper är varumärken som tillhör Amazon.com, INC eller dess dotterbolag.

Google är ett varumärke som tillhör Google LLC. Siri är ett registrerat varumärke som tillhör Apple Inc.

All användning av sådana märken från Signify sker under licens.

Andra varumärken og varunamn tillhör respektive ägare.

## NO - SIKKERHETSINSTRUKSJONER

Takk for at du kjøpte dette WIZ-produktet. Vi setter pris på at du velger WIZ og håper du får mye glede av produktet. Håndbok B

Inneholder definisjoner av mulig gjeldende parametere og spesifikasjoner med ikoner, etter internasjonale normer og

sikkerhetsstandarder. Men det er ikke sikkert at alle gjelder for produktet du har kjøpt. Hvis du vil sjekke ikonene som gjelder spesielt for dette produktet, kan du se i håndbok A som følger med.

Produsenten anbefaler riktig bruk av belysningsarmaturer! Følg derfor alltid disse instruksjonene for å sikre korrekt og sikker montering og

funksjon av montering og oppbevar den for fremtidig bruk. Ta alltid kontakt med en fagperson først for å velge riktig festeanordning for

sikker montering av produktet. Ta hensyn til hvor mye produktet veier og hva slags materiale det skal monteres på. Hvis du er i tvil, må du

kontakte en kvalifisert eller lisensiert elektriker eller forhandleren. Forsikre deg om at produktet alltid er installert i henhold til gjeldende

lovgivning. Enkelte forskrifter indikerer at elektriske produkter skal monteres kun av en lisensiert elektriker (f. eks. del P for Storbritannia,

AS/NZS3000 IN for AUSTRALIA / NEW ZEALAND). Slå alltid av strømmen før du installerer, vedlikeholder eller reparerer produktet. Sjekk

den riktige fargen til ledningene før monteringen: blå (N), brun (L) og ved beskyttelsesklasse I, gul/grønn (jord). Monter veggbelysningen

utilgjengelig for barn. Hvis produktet monteres på en metalloverflate, må denne overflaten knyttes til den beskyttede jordlederen eller til

den isoelektriske forbindelseslederen til monteringen. Stram alltid alle klemmeskruene godt, dette gjelder spesielt for ledninger med lav

spenning (12 V) (hvis anvendelige). Det anbefales sterkt å sjekke og stramme klemmeskruene regelmessig og over tid. Oppbevar

emballasje utilgjengelig for barn (f.eks. plastposer ...). Vedlikehold interiørbelysningen med en tørt klut. Ikke bruk skure- eller løsemidler.

Unngå å væske kommer i kontakt med elektriske deler. Du må umiddelbart bytte skadete eller ødelagte gjennomsiktige deksler og kun

bruke deler som er godkjente av produsenten. Det anbefales å kun bruke lyskilder fra WIZ.

☞ Vennligst informer deg selv om det lokale avfallshåndterings-, separerings- og innsamlingsystemet for elektriske og elektroniske

produktet og emballasje. Opptre T henhold til lokale regler og ikke kast det gamle produktet og emballasjen sammen med vanlig husholdningsavfall. Riktig avhending av emballasjen, produktet og/eller batteriene vil bidra til å forhindre potensielle skadelige følger for miljøet og personers helse. Batterier bør avhendes separat fra kommunalt avfall via anviste innsamlingssteder. Ved kassering av et produkt som inneholder batterier som ikke kan skiftes ut av brukeren, skal batteriene som ikke kan byttes av brukeren fjernes av en fagperson. **QBS:** Nedenfor finner du alle forklaringene, med tallerkanter, til de forskjellige ikonene på forsiden av sikkerhetsinstruksjonen: 01) Produktet skal kun monteres innendørs. 02) Produktet er ikke egnet for installasjon i bad, spesielt ikke i det spesifiserte området. 03) Produktet er ikke egnet for direktemontering på normalt brennbare overflater. 04) Produktet skal ikke dekkes med varmeisolerende materiale. 05) Produktet er kun egnet for montering i taket. 06) Produktet er kun egnet for montering på veggen. 07) Produktet er kun egnet for montering på veggen eller i taket. 08) Legg merke til minimumsavstanden, som angitt på ikonet, mellom lampen og objektet som skal opplyses. 09) IPX1: Produktet er dryppsikert. IPX3: Produktet kan utsettes for regndrårer (fallende dråper med en maksimal vinkel på 60 i forhold til den loddrette akse). IPX4: Produktet er sprutsikkert og tåler å bli utsatt for vannsprut fra alle vinkler (360 °). IPX5: Produktet er regnet. IPX7: Produktet kan installeres i bakken. IPX8: Produktet er beskyttet mot nedsenking opp til angitt dybde. - IPX5: Produktet er støvbeskyttet. IP6X: Produktet er støvett. 10) Erstatt umiddelbart skadet eller knust sikkerhetsglass, og bruk bare borsilikatdeler med samme mål, og med minimum tykkelse på 3 mm. 11) Beskyttelsesglass klasse I: Produktet eller komponenten har en jordingskontakt. Jordledningen (gul/grønn) skal kobles med terminalen som er markert med beskyttelsesglass klasse I. 12) Beskyttelsesglass klasse II: Produktet eller komponenten er dobbeltisolert eller har forsterket isolasjon. 13) Beskyttelsesglass klasse III: Produktet eller komponenten er kun egnet for utstyr med ekstra lav spenning (<50 V AC, <120 V DC). 14) Fjern det ytre laget på ledningen som angitt på ikonet. 15) Jordledningen skal alltid være lenger enn den brune (L) og blå (N) ledningen. 16) De medfølgende, varmeavvisende hylsene skal kle inn de avisolerte ledningstykknene. 17) Produktet skal kun brukes for direkte tilkobling til det elektriske nettet. 18) - X-tilkobling: Hvis ledningen blir skadet, skal den byttes ut med en ledning av samme type. - Y-tilkobling: Hvis ledningen blir skadet, skal den bare byttes ut av produsenten, forhandleren eller en annen fagperson, for å unngå farlige situasjoner. - Z-tilkobling: Den eksterne, fleksible kabelaen eller ledningen til denne belysningen kan ikke byttes ut. Hvis ledningen er skadet, må belysningen destrueres. 19) maks. ...W: Bruk kun passende lyspærer til dette produktet, og hold deg innenfor den angitte maksimale wattstyrken. 20) Produktet er kun egnet for referektorlyskilder. 21) Produktet er kun egnet for CFL- eller LED-lyskilder (f.eks. E14, E27, GU10, Gx53, ...) 22) Produktet er ikke egnet for CFL- eller LED-lyskilder (e.g. E14, E27, GU10, Gx53, ...) 23) Kun en lyspære med en diameter på 60 mm kan brukes. En lyspære med en diameter på 45 mm kan ikke brukes på dette produktet. 24) Bruk kun runde lyspærer med størrelse som den angitte diameteren. Bruk aldri en standard glødelampe. 25) Produktet er kun egnet for mignonformede lyspærer. 26) Produktet er kun egnet for lyspærer med innebyggt beskyttelse eller lyspærer med lavt trykk. Ekstra sikkerhetsglass er ikke nødvendig. 27) Lineære eller kapselformede halogenlyskilder skal ikke berøres med utledkede hender. 28) Produktet er utstyrt med en sikring. Hvis produktet ikke virker etter at lyskilden er satt inn, må eksternt sikring byttes ut. Dette må gjøres av en kvalifisert elektriker slik at interne ledninger kan undersøkes. 29) Produktet kan dimmes med dimmeren som du følger med, eller med en dimmer (følger ikke med) som er koblet til det elektriske systemet i hjemmet. Hvis du vil ha mer informasjon, kan du gå til [Wizconnected.com](http://Wizconnected.com). Kontakt en kvalifisert elektriker som kan velge en dimmertype som passer. 30) Produktet kan ikke dimmes. 31) Produktet kan KUN dimmes med dimmeren som følger med. Ikke koble til andre dimmere. 32) Dimmingsfunksjonene avhenger av valgt lyskilde. Mer informasjon om dimmer-funksjonene er tilgjengelige i informasjonspakken levert med lyspæren. 33) Produktet fungerer med en sikkerhetstransformator. Du kan bytte ut den ødelagte transformatoren bare med en transformator med identiske tekniske spesifikasjoner. Kontakt en kvalifisert elektriker eller forhandleren. 34) Hardford produkt. 35) Produkt med innstilling for tid og lys. Minimum og maksimum angis på ikonet. 36) Produktet kan monteres i en maksimal høyde på 6 m. 37) Hvis du vil at det skal fungere pålittelig, må du plassere produktet i høyde angitt på ikonet. Maksimal og minimal rekkevidde for sensoren er også angitt. 38) Standard aktiv rekkevidde for sensoren dekker antall grader som angis på ikonet. 39) Produktet bør monteres horisontalt. For lengre levetid bør det ikke ha en vinkel som er videre enn 4 grader. 40) Kontroller at du ikke borer gjennom elektriske ledninger eller andre hindringer i veggen eller taket under montering. 41) Hvis produktet monteres til en tak- eller veggbo, er det påkrevd at boksen dekkes med et lokk først (f.eks. Nederland). 42) Elektriske ledninger skal aldri klemmes eller vis mellom belysningen og monteringsoverflaten. 43) Deler i produktet kan bli varme. 44) Produktet er ikke egnet for barn under 8 år. 45) Produktet er kun egnet for personer over 8 år. 46) Monter produktet utlignende (X1: for barn, X2: for voksne). 47) Produktet skal monteres av 2 personer. 48) For å unngå rustangrep, rengjør ankeret minst to ganger i året med en myk klut eller høytrykk vaskemiddel (4 ganger i året i kyst- og industriområder). 49) Produktet kan bare installeres med passende verktøy. 50) Forsiktig: fare for elektrisk støt! Lyskilden i belysningen skal kun byttes av produsenten, produsentens representanter eller en kvalifisert person. 51) Utskiftbar (bare LED) lyskilde av en sluttbruker. 52) Utskiftbar lyskilde av en sluttbruker. 53) Utskiftbar (bare LED) lyskilde av en profesjonell. LED-lyskilden i denne armaturen skal bare byttes av produsenten eller dens service tekniker eller en lignende kvalifisert person. 54) Utskiftbar lyskilde av en profesjonell. Lyskilden i denne armaturen skal bare byttes av produsenten eller dens service tekniker eller en lignende kvalifisert person. 55) Ikke-utskiftbar lyskilde: Lyskilden i denne belysningen kan ikke byttes. Når lyskilden slutter å lyse, må hele belysningen byttes. 56) Utskiftbar kontrollutstyr av en sluttbruker. 57) Utskiftbar kontrollutstyr av en profesjonell. 58) Ikke-utskiftbar kontrollutstyr. 59) Bruk ikke kontrollenheten med våte hender, i områder direkte utsatt for vann eller utendørs. 60) Ikke stirre på lyskilden som er i bruk.

**Forskrift om energimerking (EU)2019/2015:** 61) Dette produktet inneholder en lyskilde av energieffektivitetsklasse A. 62) Dette produktet inneholder en lyskilde av energieffektivitetsklasse B. 63) Dette produktet inneholder en lyskilde av energieffektivitetsklasse C. 64) Dette produktet inneholder en lyskilde av energieffektivitetsklasse D. 65) Dette produktet inneholder en lyskilde av energieffektivitetsklasse E. 66) Dette produktet inneholder en lyskilde av energieffektivitetsklasse F. 67) Dette produktet inneholder en lyskilde av energieffektivitetsklasse G.

Dette produktet er spesielt utformet og utviklet for bruk bare for hjemmebrukere under normale bruksforhold og normal drift. Levetiden som oppgis på innpakningen, er et gjennomsnitt (i henhold til standardnormene L70B50 og IEC60969), og er basert på gjennomsnittlige tre driftstimer per dag. Dersom du opplever problemer under bruk av produktet, anbefaler vi at du først ser etter løsningen i bruksanvisningen og informasjonen på nettstedet vårt. I henhold til disse vilkårene bekrefter vi som produsent (Signify Netherlands B.V., International Business Reply Service I.B.R.S. / C.C.R.I. Numéro 10461 5600 BV Eindhoven, The Netherlands) at dette produktet er uten feil i materialer og utførelse i en periode på to (2) år fra kjøpsdatoen, med mindre en annen periode er oppgitt i eller på innpakningen for produktet, og under forutsetning av vedlikehold av produktet i henhold til instruksjonene for bruk og rengjøring i Brukerhåndboken. Med mindre lokal

Γωvγvning krever noe annet begrensens v re forpliktelser under garancien seg til, etter v r diskresjon,   enten reparere, levere et erstatningsprodukt for det defekte produktet eller   tilby en passende kreditt for k psprodukt for det defekte produktet. Kostnader til (de)montering og/eller (av)installasjon er ikke underlagt garantien, i tillegg til knust glass, batterier og utskiftbare lyskilder. V r avhjelp under garantien skal ikke forlenge eller fjerne den opprinnelig gjeldende garantiperioden. Vi har rett til, etter v r diskresjon,   erstatte det defekte produktet som er under garanti, med et produkt som har sm  avvik i utforming og/eller spesifikasjoner som ikke p virker funksjonaliteten til produktet. For   ha rett til   fremme krav under denne garantien m  du p  foresp rsel fra oss (eller v r representant) fremsette et tilstrekkelig k psbevis samt det defekte produktet for analyse. I den grad det er tillatt i gjeldende lov, utgj r disse retningslinjene hele v rt ansvar som produsent n r det gjelder defekte produkter eller produkter som ikke er i henhold til spesifikasjonene. Vi er ikke ansvarlig overfor deg for andre tap eller indirekte skader eller følgeskader (inkludert men ikke begrenset til tap av data eller inntekt), ei heller for   kompensere deg for aktiviteter som normalt vedlikehold, lagring eller gjenoppretting av data. Dine lovfestede rettigheter p virkes ikke av denne frivillige produsentgarantien. Hvis du ber om service p  produktet i et annet land enn k pslandet, pr ver vi   tilby service p  produktet i henhold til garantivilk rene for landet der produktet ble k pt.

### Monteringstrinn

Se monteringsveiledningen for detaljerte trinn.

Start WIZ-appen for   koble den til produktet (Se hurtigstartveiledningen for flere detaljer om bruk av WIZ-appen).

### Garanti

Garantien er underlagt strenge bruksvilk r, se nettsiden v r for mer informasjon: <https://www.wizconnected.com/en/consumer/support/>

### Tr dl s spesifikasjon:

Frekvensomr de for tr dl s RF-modus: 2400-2483,5 MHz

Maksimal overf rt effekt:

Wi-Fi: Maksimalt 20 dBm

Bluetooth: Maksimalt 10 dBm

Produktene m  ikke brukes med dimmere. Bruk WIZ-appen til dimming.

P /av-funksjonalitet er tilgjengelig uten Wi-Fi-tilkobling.

Signify erkl rer herved at radioutstyrtypen WIZ-lysarmaturer er i samsvar med direktiv 2014/53/EU(RED). Hele teksten til

EU-samsvarserkl ringen er tilgjengelig p  f lgende Internett-adresse: [wizconnected.com](http://wizconnected.com)

Wi-Fi\* og Wi-Fi CERTIFIED-logoen er registrerte v remerker for Wi-Fi Alliance,

Wi-Fi CERTIFIED™ og WPA2™, WPA3™ er registrerte v remerker for Wi-Fi Alliance,

Bluetooth\* og logoer er registrerte v remerker som eies av Bluetooth SIG,INC.

Amazon, Alexa og alle tilknyttede logoer er v remerker for Amazon.com,Inc eller dets partnere,

Google er et v remerke for Google LLC. Siri er et registrert v remerke for Apple Inc.

Enhver bruk Signify gj r av disse merkene, er underlagt en lisens.

Andre v remerker og v renavn tilh rer deres respektive eiere.

## EL - ODHITES AΣΦΑΛΕΙΑΣ

Σας ευχαριστούμε π r αγοράστει αυτό το π rϊον της WIZ. Το εκτιμώμενο ιδι τερα που επιλέξατε την επισημ νία WIZ και σας ευχόμεστε να απολαύσετε τη χρ ση του π rϊόντος σας. Αυτό το εγχειρίδιο Β περιέχει ορισμούς όλων των παραμέτρων και των προδιαγραφών που ενδέχεται να ισχύουν, με εικονίδια σύμφωνα με τα διεθνή πρότυπα και τα πρότυπα ασφαλείας. Ολοσ φως, ενδέχεται να μην ισχύουν όλα τα εικονίδια για το π rϊον που αγοράσατε. Ανατρέξτε στο πρόσθετο εγχειρίδιο  , για να δείτε ποια εικονίδια ισχύουν για το συγκεκριμένο π rϊον.

Ο κατασκευαστής παρέχει οδηγίες για τη σωστή χρ ση των εξαρτημάτων φωτισμού! Συνεπώς, να τηρείτε πάντα αυτές τις οδηγίες, προκειμένου να διασφαλίσετε τη βιωσιμότητα και ασφαλή εγκατάσταση και λειτουργία του εξαρτήματός και να τις διατηρείτε για μελλοντική αναφορά. Πριν επιλέξετε το σωστό εξάρτημα στερέωσης για την ασφαλή τοποθέτηση του π rϊόντος, να συμβουλευθείτε έναν έμπειρο τεχνικό. Λάβετε υπόψη το βάρος του π rϊόντος και το υλικό της επιφάνειας στέρησης. Σε περίπτωση αμφιβολίας, συμβουλευτείτε έναν έμπειρο τεχνικό ή εξουσιοδοτημένο ηλεκτρολόγο ή επικοινωνήστε με το κατάστημα λιανικής πώλησης. Βεβαιωθείτε ότι το π rϊον έχει εγκατασταθεί σύμφωνα με τους σχετικούς κανονισμούς. Ορισμένοι κανονισμοί αναφέρονται ότι τα ηλεκτρικά π rϊόντα πρέπει να τοποθετούνται μόνο από ηλεκτρολόγο με άδεια επαγγελματία (π.χ. Part P για το Η.Β., AS/NZS3000 IN για ΑΥΣΤΡΑΛΙΑ / ΝΕΑ ΖΗΛΑΝΔΙΑ). Να απενεργοποιείτε πάντα τη συσκευή πριν από την εγκατάσταση, τη συντήρηση ή την επισκευή. Βεβαιωθείτε ότι τα καλώδια είναι του σωστού χρώματος πριν την εγκατάσταση: μπλε (N), καφέ (L) και, για την κατηγορία προστασίας Ι, κίτρινο/πράσινο (γείωση). Στερεώστε τα επιποχία φωτιστικά σε σημεία όπου δεν φτάνουν παιδιά. Αν το π rϊον τοποθετηθεί σε μεταλλική επιφάνεια, η επιφάνεια πρέπει να συνδεθεί με αγώγιμο προστατευτικής γείωσης ή στον αγώγιμο ισοδυναμικής σύνδεσης της εγκατάστασης. Να σφίγγετε πάντα καλά τις βίδες του ρευματολήπτη, ειδικά τα εξάρτηματα της καλωδίωσης χαμηλής τάσης (12V) (εάν υπάρχουν). Συνιστάται να ελέγχετε τακτικά και να σφίγγετε πάλι τις βίδες του ρευματολήπτη με την πάροδο του χρόνου. Φυλάξτε τα υλικά της συσκευασίας (π.χ. πλαστικές σακούλες) μακριά από παιδιά. Για την συντήρηση του εσωτερικού φωτισμού, χρησιμοποιήστε ένα στεγνό πανί ξεσκονιζόμενο. Μην χρησιμοποιείτε διαβρωτικά καθαριστικά ή διαλύτες. Αποφύγετε τα μγρά σε όλα τα ηλεκτρικά εξάρτηματα. Να αντικαθίστεται αμέσως τα ραγιμένα ή σπασμένα ή οποιαδήποτε ελαττωματικά καλώδια και να χρησιμοποιείτε μόνο Ανταλλακτικά που έχουν εγκριθεί από τον κατασκευαστή. Συνιστάται να χρησιμοποιείτε μόνο λαμπτήρες της WIZ.

  Ενημερωθείτε για το τοπικό σύστημα σύνδεσης, διαχωρισμού και συλλογής αποβλήτων για ηλεκτρικά και ηλεκτρονικά π rϊόντα και συσκευασίες. Ενημερώστε σύμφωνα με τους τοπικούς σας κανόνες και μην απορρίπτετε το παλιό σας π rϊον και τη συσκευασία του μαζί με τα συνήθη οικιακά απορρίμματα. Η σωστή απόρριψη της συσκευασίας, του π rϊόντος σας ή/και των μπαταριών θα συμβάλει στην αποφυγή πιθανών αρνητικών συνεπειών για το περιβάλλον και την ανθρώπινη υγεία. Οι μπαταρίες θα πρέπει να απορρίπτονται χωριστά από το ρεϋμα των αστικών απορριμμάτων μέσω των καθορισμένων εγκαταστάσεων συλλογής. Κατά την απόρριψη ενός π rϊόντος που περιέχει μπαταρίες που δεν αντικαθίστανται από τον χρήστη, αυτές πρέπει να αφαιρούνται από επαγγελματία.

**ΠΡΟΣΟΧΗ:** Παρακάτω θα βρείτε όλες τις εξηγήσεις με αριθμητική παραπομπή, για τις εικονίδια που παρατίθενται πριν από τις παρούσες οδηγίες ασφαλείας.

- 01) Το προϊόν πρέπει να εγκατασταθεί μόνο σε εξωτερικούς χώρους. 02) Το προϊόν δεν είναι κατάλληλο για εγκατάσταση στο μπάνιο και σίγουρα όχι στην καθύπερθε ζώνη. 03) Το προϊόν δεν είναι κατάλληλο για άμεση τοποθέτηση σε φυσιολογικά εύληκτες επιφάνειες. 04) Το προϊόν δεν είναι κατάλληλο για κάλυψη με θερμομονωτικό υλικό. 05) Το προϊόν είναι κατάλληλο μόνο για τοποθέτηση σε οροφή. 06) Το προϊόν είναι κατάλληλο μόνο για τοποθέτηση σε τοίχο. 07) Το προϊόν είναι κατάλληλο για τοποθέτηση σε τοίχο ή σε οροφή. 08) Να λαμβάνεται πάντα υπόψη την ελάχιστη απόσταση, όπως υποδεικνύεται στο εικονίδιο, ανάμεσα στον λαμπτήρα και στο φωτιστικό αντικείμενο. 09) IPX1: Το προϊόν διαθέτει προστασία από σταγόνες νερού. IPX3: Το προϊόν μπορεί να εκτεθεί σε βροχές βροχής (πίσηο σταγόνων υπό μέγιστη γωνία 60° ως προς τον κατακόρυφο άξονα). IPX4: Το προϊόν είναι αδιάβροχο: μπορεί να εκτεθεί σε σταγόνες νερού που πέφτουν από οποιαδήποτε κατεύθυνση (360°). IPX5: Το προϊόν διαθέτει προστασία από πιθάδες νερού. IPX7: Το προϊόν μπορεί να εγκατασταθεί στο έδαφος. IPX8: Το προϊόν διαθέτει προστασία από βύθιση μέχρι το βάθος που υποδεικνύεται. IPX5X: Το προϊόν διαθέτει προστασία από τη σκόνη. IPX6X: Το προϊόν είναι άριστα προστασμένο από σκόνη. 10) Αντικαταστήστε αμέσως τυχόν ραγιωμένα ή φασμαμένα προστατευτικά γυαλιά και χρησιμοποιήστε μόνο ανταλλακτικά από βιομηχανικό με τις ίδιες διαστάσεις, με ελάχιστο πάχος 3 χιλ. 11) Κατηγορία προστασίας I: το προϊόν ή το εξάρτημα διαθέτει σύνδεση γείωσης. Το καλώδιο γείωσης (κίτρινο/πράσινο) πρέπει να συνδέεται με τον ακροδέκτη που εμπομαίνεται με κατηγορία προστασίας I. 12) Κατηγορία προστασίας II: το προϊόν ή το εξάρτημα προστασίας με διπλή ή εννομιχρή μόνωση. 13) Κατηγορία προστασίας III: το προϊόν ή το εξάρτημα είναι κατάλληλο μόνο για εξαιρετικά χαμηλή τάση ασφαλείας (<50V.a.c., <120V.d.c.). 14) Απαρτίδες τη μόνωση από το καλώδιο, όπως υποδεικνύεται στο εικονίδιο. 15) Το καλώδιο γείωσης πρέπει να είναι πάντοτε μεγαλύτερο από το καφέ ηλεκτροφόρο (L) και το μπλε ουδέτερο (N) καλώδιο. 16) Η χρήση του παρεχόμενου αντιβιολιμωτικού καλιμωτικού απαιτείται σε όλο το μήκος του γυμνού καλωδίου. 17) Το προϊόν είναι κατάλληλο μόνο για απευθείας σύνδεση με την παροχή ηλεκτρικού ρεύματος. 18) Σύνδεση X: Σε περίπτωση φόραρ του καλωδίου, πρέπει να αντικατασταθεί από ένα καλώδιο ίδιου τύπου. Σύνδεση Y: Σε περίπτωση φόραρ του καλωδίου, θα πρέπει να αντικατασταθεί μόνο από το κατασκευαστή, τον διαμετέω ή έναν ειδικό, προκειμένου να αποφευχθούν οι κίνδυνοι. Σύνδεση Z: Το εξωτερικό εικαμτό καλώδιο του φωτιστικού δεν μπορεί να αντικατασταθεί. Αν το καλώδιο έχει φανθεί, το φωτιστικό σώμα πρέπει να κατασπαράξει. 19) MAX...W: Να χρησιμοποιήσετε μόνο λαμπτήρες που είναι κατάλληλοι για αυτό το προϊόν, εντός της μέγιστης καθορισμένης ισχύος. 20) Το προϊόν είναι κατάλληλο μόνο για λαμπτήρες με ανακασήματα. 21) Το προϊόν είναι κατάλληλο μόνο για λαμπτήρες CFL-I ή LED (π.χ. E14, E27, Gu10, Gx53 κ.λπ.) 22) Το προϊόν δεν είναι κατάλληλο για λαμπτήρες CFL-I ή LED (π.χ. E14, E27, Gu10, Gx53 κ.λπ.) 23) Μπορείτε να χρησιμοποιήσετε μόνο λαμπτήρα με διάμετρο 60 mm. Δεν μπορείτε να χρησιμοποιήσετε λαμπτήρα με διάμετρο 45 mm σε αυτό το προϊόν. 24) Χρησιμοποιήστε μόνο ασφαριστή λαμπτήρα με το μήκος που υποδεικνύεται. Μην χρησιμοποιήσετε ποτέ τυπικούς λαμπτήρες πυρακτώσεως. 25) Το προϊόν είναι κατάλληλο μόνο για λαμπτήρες σε σχήμα κεριού. 26) Το προϊόν είναι κατάλληλο μόνο για λαμπτήρες με ενσωματωμένη ασφαλεία ή λαμπτήρες χαμηλής πίεσης. Δεν απαιτείται η χρήση επιπλέον προστατευτικού γυαλιού. 27) Δεν πρέπει να αγγίζετε με γυμνά χέρια τους γραμμικούς ή σε σχήμα κίρκουλας λαμπτήρες ολογόων. 28) Το προϊόν είναι εξοπλισμένο με ασφαλεία. Αν το προϊόν δεν λειτουργεί μετά από τυχόν αντικατάσταση λαμπτήρα, πρέπει να αντικατασταθεί η εσωτερική ασφαλεία. Αυτό πρέπει να γίνει από εξειδικευμένο ηλεκτρολόγο, αν απαιτείται επαφή με τα εσωτερικά καλώδια. 29) Το προϊόν διαθέτει δυνατότητα ρύθμισης έντασης με τον παρεχόμενο ροοστάτη ή με ένα ροοστάτη που είναι συνδεδεμένος στην ηλεκτρική εγκατάσταση του σπιτιού σας (δεν περιλαμβάνεται). Για πληροφορίες, επισκεφτείτε τη διεύθυνση [www.wizconnect.com](http://www.wizconnect.com). Συμβουλευτείτε έναν ηλεκτρολόγο για την επιλογή του κατάλληλου ροοστάτη. 30) Το προϊόν δεν διαθέτει τρόπο ρύθμισης της έντασης του φωτός. 31) Το προϊόν μπορεί να χρησιμοποιηθεί ΜΟΝΟ με τον παρεχόμενο ροοστάτη. Μην το συνδέετε σε άλλο ροοστάτη. 32) Η λειτουργία ρύθμισης της έντασης φωτός εξαρτάται από τον λαμπτήρα που έχετε επιλέξει. Περισσότερες πληροφορίες σχετικά με τις δυνατότητες ρύθμισης έντασης φωτός διατίθενται στο ενημερωτικό έντυπο που παρέχεται μαζί με τον λαμπτήρα. 33) Το προϊόν λειτουργεί με μεσοχρονιστική ασφαλεία. 34) Ο μεσοχρονισμός σπάσει, αντικαταστήστε τον μόνο με ένα μεσοχρονιστή που έχει τα ίδια τεχνικά χαρακτηριστικά. Συμβουλευτείτε έναν ηλεκτρολόγο ή ένα κατάστημα λιανικής πώλησης. 34) Προϊόν για αντίθετη συνθήκη. 35) Προϊόν με επιλογές ρύθμισης χρώματος και φωτός. Η ελάχιστη και η μέγιστη τιμή αναγράφονται στο εικονίδιο. 36) Το προϊόν μπορεί να τοποθετηθεί σε μέγιστο ύψος 6 μέτρων. 37) Για αξιόπιστη λειτουργία, πρέπει να τοποθετηθεί το προϊόν στο καθορισμένο καλώδιο που υποδεικνύεται στο εικονίδιο. Υποδεικνύεται επίσης η μέγιστη και η ελάχιστη εμφύλαση του αννευτή. 38) Το τυπικό ενεργό εύρος όρασης του αννευτή καλύπτει τις μοίρες που αναγράφονται στο εικονίδιο. 39) Το προϊόν πρέπει να τοποθετηθεί σε οριζόντια θέση. Για μεγαλύτερη διάρκεια ζωής, ο λαμπτήρας δεν θα πρέπει να βρίσκεται σε γωνία μεγαλύτερη από 4 μοίρες. 40) Κατά την τοποθέτηση, μην αγγίζετε τρύπες σε ηλεκτρικά καλώδια ή σε άλλα αντικείμενα που παρεμβάλλονται στον τοίχο ή στην οροφή! 41) Αν το προϊόν τοποθετείται πάνω σε πλαίσιο στην οροφή ή στον τοίχο, είναι υποχρεωτική η κάλυψη του πλαισίου με κάπια (π.χ. στην Ολλανδία). 42) Τα ηλεκτρικά καλώδια δεν πρέπει να στερεώνονται ή να γυλινώνται ανάμεσα στο προϊόν και στην επιφάνεια που είναι έτοιμη τοποθετηθεί το προϊόν! 43) Τα μέρη αυτού του προϊόντος μπορούν να θερμανθούν. 44) Το προϊόν δεν είναι κατάλληλο για παιδιά μικρότερα των 8 ετών. 45) Το προϊόν είναι κατάλληλο μόνο για άτομα άνω των 8 ετών. 46) Τοποθετήστε το προϊόν σε μέγιστο ύψος δεν φτάνει το χέρι (X1: για παιδιά, X2: για ενήλικες). 47) Για την τοποθέτηση του προϊόντος απαιτούνται 2 άτομα. 48) Για να αποφύγετε τη μόλυνση, καθαρίστε το φωτιστικό τούλάχιστον 2 φορές το χρόνο με ένα μαλακό πανί και ένα ουδέτερο απορρυπαντικό. (4 φορές σε παράρτη ή βιομηχανικές περιοχές). 49) Το προϊόν μπορεί να ρυθμιστεί μόνο κατά την εγκατάσταση με χρήση εργαλείου. 50) Προσοχή: Κίνδυνος ηλεκτρολύσεως! Η φωτεινή πηγή που περιέχει από το φωτιστικό μπορεί να αντικατασταθεί μόνο από τον κατασκευαστή, από τον αντιπρόσωπο επισκευών του ή από εξειδικευμένα άτομα. 51) Πηγή φωτός (LED μόνο) με δυνατότητα αντικατάστασης: από τελικό χρήστη. 52) Πηγή φωτός με δυνατότητα αντικατάστασης από τελικό χρήστη. 53) Πηγή φωτός (LED μόνο) με δυνατότητα αντικατάστασης από επαγγελματία. Η πηγή φωτός LED που περιέχει αυτό το φωτιστικό θα πρέπει να αντικαταστήσει αποκλειστικά από τον κατασκευαστή ή τον αντιπρόσωπο οείβρις που συνεργάζεται μαζί του ή αντίστοιχο άτομο που διαθέτει τα κατάλληλα προϊόντα. 54) Πηγή φωτός με δυνατότητα αντικατάστασης από επαγγελματία. Η πηγή φωτός που περιέχει αυτό το φωτιστικό θα πρέπει να αντικαταστήσει αποκλειστικά από τον κατασκευαστή ή τον αντιπρόσωπο οείβρις που συνεργάζεται μαζί του ή αντίστοιχο άτομο που διαθέτει τα κατάλληλα προϊόντα. 55) Πηγή φωτός χωρίς δυνατότητα αντικατάστασης: Η φωτεινή πηγή του συγκεκριμένου φωτιστικού δεν μπορεί να αντικατασταθεί. Όταν η φωτεινή πηγή φτάσει στο τέλος της ζωής της, θα πρέπει να αντικαταστήσετε ολόκληρο το φωτιστικό. 56) Εξοπλισμός ελέγχου με δυνατότητα αντικατάστασης: από τελικό χρήστη. 57) Εξοπλισμός ελέγχου με δυνατότητα αντικατάστασης από επαγγελματία. 58) Εξοπλισμός ελέγχου χωρίς δυνατότητα αντικατάστασης. 59) Μην χρησιμοποιείτε τη συσκευή ελέγχου με υγρά χέρια, σε χώρους άμεσα εκτεθειμένους σε νερό ή εξωτερικούς χώρους. 60) Μην κοπάζετε απευθείας οποιαδήποτε πηγή φωτός που λειτουργεί

**Κανονισμός περί επισήμανσης της ενεργειακής απόδοσης (EEI2019/2015):** 61) Το προϊόν αυτό περιέχει πηγή φωτός κατηγορίας ενεργειακής απόδοσης A. 62) Το προϊόν αυτό περιέχει πηγή φωτός κατηγορίας ενεργειακής απόδοσης B. 63) Το προϊόν αυτό περιέχει πηγή φωτός κατηγορίας ενεργειακής απόδοσης C. 64) Το προϊόν αυτό περιέχει πηγή φωτός κατηγορίας ενεργειακής απόδοσης D. 65) Το προϊόν αυτό περιέχει πηγή φωτός κατηγορίας ενεργειακής απόδοσης E. 66) Το προϊόν αυτό περιέχει πηγή φωτός κατηγορίας ενεργειακής απόδοσης F. 67) Το προϊόν αυτό περιέχει πηγή φωτός κατηγορίας ενεργειακής απόδοσης G. Αυτό το προϊόν έχει σχεδιαστεί και αναπτυχθεί ειδικά για οικιακή χρήση, υπό κανονικές συνθήκες λειτουργίας μόνο. Η διάρκεια ζωής που αναφέρεται στο συσκευασία αποτελεί ενδεικτικό μέσο όρο ζωής/σφάλματα με τα πρότυπα L70B50 και IEC60969) και βασίζεται σε μέσο όρο λειτουργίας 3 ωρών την ημέρα. Αν αντιμετωπίσετε οποιοδήποτε δυσκολίες με τη χρήση του προϊόντος, σας συνιστούμε να συμβουλευτείτε πρώτα το εγχειρίδιο χρήσης και τις πληροφορίες που υπάρχουν στο διδακτικό τόμο μας. Σύμφωνα με τους όρους και τις προϋποθέσεις που περιέχονται στην παρούσα, εμείς, ως ο κατασκευαστής (Signify Netherlands B.V., International Business Reply Service I.B.R.S./ J.C.R.I. Numéro 104615600 VB Eindhoven, The Netherlands) εγγυώμαστε ότι το προϊόν θα είναι ελεύθερο ελαττωμάτων ύστεν αφορά τα υλικά και την εργασία για χρονικό διάστημα δύο (2) ετών από την ημερομηνία αγοράς, εκτός αν δηλώνεται διαφορετική περίοδος μέσω ή επάνω στη συσκευασία του προϊόντος και/ή στην προώθηση ή γίνεται αντανάραση του προϊόντος, σύμφωνα με τις οδηγίες φροντίδας και καθαρισμού που παρέχονται στο...

ēgheeridōu χrōsis. Oi ipochrōseis mās sto plaiōio tēs ēgēgēsēs θa periorizōntai, kat' ēπιlōgē mās, stēn ēπισkēuē tōu prōiōntos, stēn παρōgē ενός prōiōntos anaktōstāsēs. Oia to elattumatikō prōiōn ē stēn prōofōrō pōstōsēs ηu o anwtοiçei stēn tūmē elattumatikōu prōiōntos, εκtās an oi diatāsēs tēs içōuōsas noimothias orizōun kati ðiaforetikā. Η τοποθētēτē/αφαίρεση η/καi ēγκατάστōση/απεγκατάστōση, kadiōs ka to kōstos ēργασias ēξαρτιzōntai από tēn ēgēgēsēs, όπws ka to oπασμēno γιναι, oi ιμπαrιες καi aniktαstātōsiωι λαμτtrēs. Oi αποhλwōicos πωχορηγōuσατε παρέρουσα te plaiōio tēs παρούsas ēgēgēsēs den παrεσιtνωun καi den ανανέωun tēn περίοδο ισχύος tēs ēgēgēsēs. Εχομεte to δικαιώμα, kat' ēπιlōgē mās, να ανaktαstātōsiωme te elattumatikō prōiōn που kaλιtται από autēn tēn ημερōn που ēχε μικρās αποlōcias stē σχεδίαση η/καi stās προðιαγραφές, οι οπoies den επηρēζōun tē λειτουργικōtēτā του. Προκειμēνου να εχέτε το δικαιώμα να εγείρετε μiα ēγκυρη αξίωση στο plaiōio tēs παρούsas ēgēgēsēs, πρēπει να προσκομίσете se μiās (ή stēs αντνπρωσωπō mēs), katōtin απtτωματος, επαρκή αποδεδείχτē αγοράς σας, kadiōs ka το elattumatikō prōiōn, για ανάλυση. Στο βιβλίω που που επtπρtται από tēn içōuōsas noimothia, η παρούσα πολιτική προσδιορίζει tēn πλήρη ευθύνη που φέρουμε ως o κατασκευασtēs, σε σχέση με elattumatikō prōiōnta η/ prōiōnta που den πληρούν tēs προðιαγραφēs συμμόρφωσης με τους ισχόντες κανονισμōs. Δen θα φέρουμε καμiα ευθύνη απέναντί σας για άλλες απώλειες ή έμμεσες ή επακόλουθες ζημιές (συμπεριλαμβανομένης, μεταξύ άλλων, tēs απώλειας δεδομēνων ή tēs απώλειας εισοδημάτων), ούτε θα σας αποζημιώσουμε για δραστηριότητες όπws η τακτική συντήρηση, η αποθήκευση ή η επαναρρόση δεδομēνων. Τα δικαιώματα που απορρουν από tēn içōuōsas noimothia den επηρēζōntai από autēn tēn εβελωντάκη παρεχόμενη ēgēgēsēs κατασκευασtē. Αν παραβιάσετε το prōiōn σας για sέρβις σε ðιαφορετική χwρα από autēn stēn οποία αγοράσατε το prōiōn, θα προσπαθώσιωμε να κάνουμε sέρβις στο prōiōn σας σύμφωνα με τους όρους ēgēgēsēs tēs χwρας stēn οποία αγοράσατε το prōiōn.

## Βήματα εγκατάστασης

Για λεπτομερείς οδηγίες, ανατρέξτε στο εγχειρίδιο εγκατάστασης.

Ανοίξτε την εφαρμογή WiZ για να συνδέσετε το προϊόν (ανατρέξτε στον Οδηγό γρήγορης έναρξης για περισσότερες πληροφορίες σχετικά με τη λειτουργία της εφαρμογής WiZ).

## Έγνωση

Η έγνωση υπόκειται σε αυστηρές προϋποθέσεις χρήσης, για περισσότερες πληροφορίες, επισκεφθείτε τον διαδικτυακό τόπο μας:

<https://www.wizconnected.com/en/consumer/support/>

## Προδιαγραφές ασύρματης λειτουργίας:

Ζώνη ραδιοσυχνότητας ασύρματης λειτουργίας: 2400 – 2483,5 MHz

Μέγιστη ισχύς μετάδοσης:

Wi-Fi: Μέγ. 20 dBm

Bluetooth: Μέγ. 10 dBm

Τα προϊόντα δεν θα χρησιμοποιούνται με ρυθμιστές έντασης, για τη ρύθμιση της έντασης χρησιμοποιήστε την εφαρμογή WiZ.

Διαθέσιμη λειτουργία ενεργοποίησης/απενεργοποίησης χωρίς συνδεσιμότητα Wi-Fi.

Με το παρόν, η Signify δηλώνει ότι ο τύπος ραδιοεπιλογισμού WiZ Luminaires συμμορφώνεται με τον Οδηγό 2014/53/ΕΕ (RED). Το πλήρες κείμενο της διατύπωσης βρίσκεται στη διεύθυνση: [www.wizconnected.com](http://www.wizconnected.com)

Ο όρος Wi-Fi\* και το λογότυπο Wi-Fi CERTIFIED είναι σήματα κατατεθέντα της Wi-Fi Alliance.

Οι όροι Wi-Fi CERTIFIED™ και WPA2™, WPA3™ είναι σήματα κατατεθέντα της Wi-Fi Alliance.

Το λεκτικό σήμα και τα λογότυπα Bluetooth® είναι σήματα κατατεθέντα που ανήκουν στην Bluetooth SIG, INC.

Τι όροι Amazon, Alexa και όλα τα σχετικά λογότυπα είναι εμπορικά σήματα της Amazon.com, Inc ή των συνδεδεμένων εταιρειών αυτής.

Τι όρος Google είναι εμπορικό σήμα της Google LLC. Ο όρος Siri είναι σήμα κατατεθέν της Apple Inc.

Οποιαδήποτε χρήση αυτών των σημάτων από τη Signify επtπρtται βάσει άδειας.

Άλλα εμπορικά σήματα και εμπορικές επωνυμίες ανήκουν στους αντίστοιχους κατόχους τους.

## TR - GUVENLIK TALIMATLARI

Bu WiZ ürününü satın aldıgınız ve WiZ markasını tercih ettiğiniz için teşekkür eder, ürününüzü iyi günlerde kullanmanız dileriz. Kılavuz B (Uluslararası) normlar ve güvenlik standartları uyarınca potansiyel olarak uygulanabilir parametrelerin ve özelliklerin simgeleriyle birlikte tanımlanır içerik. Ancak bunların tamamı satın aldıgınız ürün için uygulanabilir olmayabileceğinden özellikle bu ürün için uygulanabilir olanların yer aldığı, ek olarak verilen Kılavuz A'ya başvurun.

Üretici, aydınlatma armatürlerinin doğru kullanımını tavsiye eder! Bu nedenle, armatürün doğru ve güvenli kurulumunu ve çalışmasını sağlamak için ödeme bu talimattan izleyin ve gelecekte de basıvrak üzere saklayın. Ürün montajını yapmadan önce her zaman doğru sabitleyiciliyi seçme konusunda bir profesyonelle danışın. Ürünün ağırlığını ve monte edileceği yüzeyin hangi malzemeden yapıldığını da göz önünde bulundurun. Emin olamamanız durumunda, yetkili veya sertifikalı bir elektrikleşiyici danışın veya perakende satış mağazasıyla iletişime geçin. Ürünün her zaman ilgili düzenlemelere uygun olarak kurulmasını sağlayın. Belirli düzenlemeler elektrikli ürünlerin sadece yetkili bir elektrikleşiyici tarafından kurulmasını gerektirir (örn. İNGİLTERE'de Bölüm P, AVUSTRALYA /YENİ ZELANDA'da AS/NZS3000 İN).

Kurulum, bakım veya tamir işlemlerinden önce mutlaka cihazı kapatın. Kurulumdan önce kablo renklerinin doğru olmasını dikkat edin: mavi (N), kahverengi (L) ve koruma sınıfı I ise sarı/yeşil (topraklama). Duvar ışıklarını çocukların erişemeyeceği şekilde takın. Ürün metal bir yüzeye monte ediliyorsa bu yüzey, kurulumun koruyucu toprak iletkenine veya eş potansiyelli bağlama iletkenine bağlanmalıdır. Özellikle düşük gerilim kablo (T2 V) aparatları başta olmak üzere (mümkünse) terminal vidalarını iyice sıkın. Zaman içerisinde terminal vidalarının düzenli olarak kontrol edilip tekrar sıkılması önerilir. Ambalajları çocukların erişemeyeceği yerlerde saklayın. (Örn. plastik poşetler...) İç aydınlatmayı kuru bir toz bezle temizleyin, aşındırıcı veya solventler kullanmayın. Elektrikli bölümlerin üzerine sıvı dökmevin. Çatlak veya kırık yan saydam kapakları hemen değiştirin ve sadece üretici tarafından onaylı parçaları kullanın. Sadece "WiZ" markalı ampullerin kullanılmasını öneririz.

İçerik elektrikli ve elektronik ürünler ve ambalajları için yerel atık atma, ayırma ve toplama sistemleri hakkında bilgi edinir. Lütfen bulduğunuz bölgedeki yerli kurallara uygun hareket edin ve eski ürün ve ambalajınızı normal eve atıklarınızla birlikte atmayın. Ambalajın, ürününüzün ve/veya pillerin doğru şekilde atılması çevre ve insan sağlığı için olası olumsuz sonuçların önlenmesine yardımcı olur. Pillerin özel

Toplama Tesitleri aracılığıyla belediye atık kolundana ayrı bir şekilde atılması gerekir. Kullanıcı Tarafından değiştirilemeyen pit bulunan bir ürün atarken pilin bir profesyonel tarafından çıkarılması gerekir.

**DİKKAT:** Aşağıda bu güvenlik talimatlarının ön bölümünde bulunan simgelerin numaralandırılmasına göre açıklanan bulunmaktadır:

01) Ürün sadece iç mekana kurulmalıdır. 02) Ürün, özellikle belirtilen mesafeler içinde, banyolara kurulumaya uygun değildir. 03) Ürün yarıncılığı normal olan yüzeylere doğrudan kurulum için uygun değildir. 04) Ürün termal yalıtım malzemeleriyle kaplıdır. 05) Ürün sadece tavana kurulum için uygundur. 06) Ürün sadece duvara kurulum için uygundur. 07) Ürün duvara veya tavana kurulum için uygundur. 08) Her zaman simgeyle gösterilen, lamba ve aydınlatılan nesne arasındaki minimum mesafeyi dikkate alın. 09) IPX1: Ürün damlayan suya karşı korumalıdır. IPX3: Ürün yağmur damlalarına maruz kalabilir (dikey eksende maksimum 60° açıyla düşen damllar). IPX4: Ürün sıçramalara dayanıklıdır: Her yönden 360° su sıçramasına maruz kalabilir. IPX5: Ürün yüksek basınçlı suya karşı korumalıdır. IPX7: Ürün toprağa kurulabilir. IPX8: Ürün belirtilen derinliğe kadar suya batılmaya karşı korumalıdır. • IPX5: Ürün toza karşı korumalıdır. IPX6: Ürün toz içermeyizdir. 10) Çatlık veya kırık güvenlik camını hemen değiştirin ve sadece minimum kalınlığı 3 mm olan, aynı boyutlarda borosilikat parçalar kullanın. 11) Koruma sınıfı I: Ürün veya bileşenin topraklama bağlantısı vardır. Topraklama kablosu (sar/yeşil) ile işaretli terminale bağlanmalıdır koruma sınıfı I. 12) Koruma sınıfı II: Ürün veya bileşen çift veya güçlendirilmiş yalıtımla birlikte gelir. 13) Koruma sınıfı III: Ürün veya bileşen sadece güvenli ekipman kağıdı perlitim (<50 V.a.c.; <120 V.d.c) için uygundur. 14) Kabloyu simgede gösterildiği gibi soyun. 15) Topraklama kablosu her zaman kahtverengi akmılı (L) ve mavi nötr (N) kablodan uzun olmalıdır. 16) Söyulmamsı kablolarla birlikte verilen rıya dayanıklı kaplama kullanılması gerekir. 17) Ürün sadece ana elektrik şebekesine kablolamaya uygundur. 18) • X bağlantısı: Kablo hasar görürse aynı tipie kabloyla değiştirilmelidir. • Y bağlantısı: Kablo hasar görürse risklerin ortadan kaldırılması için sadece üretici, dağıtıcı veya bir uzman tarafından değiştirilmelidir. • Z bağlantısı: Harici esnek kablo veya bu armatürün kablosu değiştirilemez. Kablo hasar görmüşse armatür imha edilmelidir. 19) MAX...W: Sadece bu ürüne uygun ampulleri kullanın ve belirtilen maksimum watt değerinden çıkmayın. 20) Ürün sadece reflektör ampullere uygundur. 21) Ürün sadece CFL-1 veya LED ampullere uygundur (örn. E14, E27, Gu10, Gx53 ...) 22) Ürün CFL-1 veya LED ampullere uygun değildir (örn. E14, E27, Gu10, Gx53 ...) 23) Sadece çapı 60 mm olan ampuller kullanılabilir. 45 mm çaplı ampuller bu ürüne kullanılmamalıdır. 24) Sadece belirtilen çapta glob ampul kullanın. Asla standart akkor ampul kullanmayın. 25) Bu ürün sadece mum şeklinde ampullere uygundur. 26) Ürün sadece dahili güvenliği olan veya düşük basıncı basıncı ampuller için uygundur. Ekstra güvenlik camına gerek yoktur. 27) Kapsül ve halojen çubuk ampullere çıplak elle dokunulamaz. 28) Ürün sigorta bulunur. Ampul değiştikten sonra ürün kullanılmıyorsa dahili sigortanın değişmesi gerekir. Dahili kablolarla temas edilecekse bunun yetkili bir elektrikçi tarafından yapılması gerekir. 29) Birlikte verilen kısma anahtarı veya evin elektrik tesisatına bağlı kısma anahtar (birlikte verilemez) ile ürünün ışığı kısılabılır. Başvuru için "Wizconnected.com" adresini ziyaret edin. Uygun kısma anahtar tipini seçebilmek için yetkili bir elektriciye danışın. 30) Bu ürünün ışığı kısılabılır değiştirilirdir. 31) Bu ürünün ışığı SADECE ürüne birlikte verilen kısma anahtarıyla kısılabılır. Diğer kısma anahtarlarına bağlamayın. 32) Dim edilebilirlik özellikleri, seçilen ampule bağlıdır. Dim edilebilirlik özellikleri hakkında daha fazla bilgiyi, lmpulle birlikte verilen bilgi paketinde bulabilirsiniz. 33) Ürün günlük transformatorüyle birlikte çalışır. Bazolan transformatorü aynı teknik özelliklere sahip başka bir transformatorü değiştirir. Yetkili elektriciye veya perakende mağazasına danışın. 34) Ürün zorlu koşullarda kullanıma uygundur. 35) Zaman ve ışık ayarı seçenekleri olan ürün. Minimum ve maksimum değerler simgede belirtilmiştir. 36) Ürün maksimum 6 m yüksekliğe kurulabilir. 37) Güvenlik kurulum için ürünü simgede belirtilen yükseklikte kurmanız gerekir. Dedektörün maksimum ve minimum erişim mesafesi de belirtilmiştir. 38) Dedektörün standart etkin görüş aralığı simgede belirtilen dereceleri kapsar. 39) Bu ürün yatay olarak kurulmalıdır. Uzun kullanım ömrü için ampul en fazla 4 derecelik bir açıda olmalıdır. 40) Kurulum sırasında, elektrik kablolarını veya duvar ya da tavanadki diğer engelleri delmedinizi emin olun! 41) Ürün tavan panosuna veya duvar panosuna kurulumu panoyu önce bir kapakla kapatmak zorundudur. (örn. Hollanda) 42) Ürün ve kurulum yüzeyi arasındaki elektrik kabloları kesinlikle sıkıştırılmamalı veya bükülmemelirdir! 43) Bu ürünün parçaları ısınabilir. 44) Ürün Y yaşın altındaki çocuklar için uygun değildir. 45) Bu ürün sadece Y yaş üzeri kişiler için kullanımı için uygundur. 46) Ürünü erişilemeyeceği bir yere kurun (X1: çocuklar için, X2: yetişkinler için). 47) Ürün 2 kişi tarafından monte edilecektir.

48) Korozyonu önlemek için, armatürü yılda en az 2 kez yumuşak bir bez ve nötr bir deterjanla temizleyin. (Kişiy veya endüstriyel alanlarda 4 kez). 49) Ürün kurulum sırasında sadece bir alet yardımıyla ayarlanabilir. 50) Dikkat: Elektrik çarpması riski! Bu armatürün ışık kaynağı yalnızca üretici, servis acentesi veya benzer şekilde yetkilendirilmiş bir kişi tarafından değiştirilebilir. 51) Bir son kullanıcı tarafından değiştirilen (yalnızca LED) ışık kaynağı. 52) Bir son kullanıcı tarafından değiştirilebilen ışık kaynağı. 53) Bir profesyonel tarafından değiştirilebilen (yalnızca LED) ışık kaynağı: Bu aydınlatma armatüründeki LED ışık kaynağı yalnızca üreticisi veya ona bağlı servis yetkilisi ya da benzer nitelikte bir uzman tarafından değiştirilir. 54) Bir profesyonel tarafından değiştirilebilen ışık kaynağı: Bu aydınlatma armatüründeki ışık kaynağı yalnızca üreticisi veya ona bağlı servis yetkilisi ya da benzer nitelikte bir uzman tarafından değiştirilir. 55) Değiştirilemez ışık kaynağı: Bu armatürün ışık kaynağı değiştirilebilir değildir; ışık kaynağı kullanım ömrünü doldurduğunda armatürün tamamı değiştirilmelidir. 56) Bir son kullanıcı tarafından değiştirilebilen kontrol tertibatı. 57) Bir profesyonel tarafından değiştirilebilen kontrol tertibatı. 58) Değiştirilemez kontrol tertibatı 59) Kontrol cihazını ellerinin ıslakken veya doğrudan suya ya da dış etkenlere maruz kalacağı yerlerde kullanmayın 60) Çalşır durmadık ışık kaynağına bakmayın

**Enerji Etiketlemesi Düzenlemesi (EUJ2019/2015):** 61) Bu ürün, "A" sınıfı enerji verimliliğine sahip bir ışık kaynağı içermektedir. 62) Bu ürün, "B" sınıfı enerji verimliliğine sahip bir ışık kaynağı içermektedir. 63) Bu ürün, "C" sınıfı enerji verimliliğine sahip bir ışık kaynağı içermektedir. 64) Bu ürün, "D" sınıfı enerji verimliliğine sahip bir ışık kaynağı içermektedir. 65) Bu ürün, "E" sınıfı enerji verimliliğine sahip bir ışık kaynağı içermektedir. 66) Bu ürün, "F" sınıfı enerji verimliliğine sahip bir ışık kaynağı içermektedir. 67) Bu ürün, "G" sınıfı enerji verimliliğine sahip bir ışık kaynağı içermektedir.

Bu ürün, yalnızca normal ortama ve çalışma koşulları altında ev kullanımı için tasarlanmıştır ve geliştirilmiştir. Ambalajda belirtilen kullanım ömrü yalnızca (L70B50 standartlarına ve IEC60969 normlarına göre) ortalama değeri ifade etmektedir ve ortalama günlük 3 saatlik yanmaya göre hesaplanmıştır. Ürünü kullanımla ilgili olarak herhangi bir zorluk yaşamamız durumunda, öncelikle kullanıcı kılavuzunu ve web sitemizdeki bilgileri incelemeyi öneririz. Burada açıklanan hüküm ve koşullara talat olmak üzere, üretici olarak biz (Signify Netherlands B.V., International Business Reply Service I.B.R.S., / C.C.R.I. Numéro 10461 5600 VB Eindhoven, The Netherlands) ürünün malzeme ve işçilik hatalarına karşı satın alma tarihinden itibaren iki (2) yıl boyunca garantimiz altında olduğunu bildiririz: söz konusu garanti, ürünün ambalajı içinde veya üzerinde farklı bir süre belirlenmiş ve ürünün bakım kullanıcı kılavuzunda açıklanan bakım ve temizleme talimatlarına uygun biçimde yapılmışsa geçerlidir. Geçerli yasalardan emredici düzenlemeleri aksini belirtmedikçe, garanti kapsamındaki yükümlülüklerimiz, kendi işlevselliğinizde olmak üzere, ayıplı ürünü ayıplı olarak, ya da muadil bir ürün sağlanacak veya ayıplı ürünün satın



Алма бедели Кадар бир туфан Тарафимыз ладе етмеКле сирини олаКактр. Монтај/демонтај ве/вѳа курулум/сокме уреКетлеѳи ве ишКик уреКетлерини яни сира, кнкк ампул, пиллѳе ве деѓишТирлеБил ампуллѳе де сѳз konusu гaрaнтини дншндaдн. ГaрaнТИ кaпсaмндa сундуѓумуз сѳзлѳм, геКерТИ орИжaл гaрaнТИ сѳресини узaтмaз вѳя ыенлеМЕ. Үне кенди инициЯТИфимизде олмaК уреге, гaрaнТИ кaпсaмндaКи аЫплИ урѳнѳ, тaсaрмaи ве/вѳя теКник ѳзелликлѳери урѳн фaнКсиoнуну етКилеМЕЕК кѳчѳк фaрКлИКлaрa сaнИп бaзaКa бир урѳнѳ деѓишТирМЕ хaККИМз сaКИДр. Бу гaрaнТИ кaпсaмндa геКерТИ бир тaлеПте булaнaбилеК иКен иСТЕНДИЃИ тaКрИде тaрaфИмзa (яа де тeмCИлИМЕ) иКенлеКМ уреге геКерТИ бир сaтн aлмa бeлгесини ве аЫплИ урѳнѳ сунмaнз геКерИ. Бу пoлИТИКa, геКерТИ мѳзвaтн иКен вердиЃИ аЗaмИ ѳлѳде, аЫплИ вѳя уЙгУнСз урѳнлѳери ИлГИ ОлaрaК, пѳретиК сИЯТИЯтa тaрaфИмзa aИТ уКѳмЛѳлѳгѳн тaмaмИнИ бeлГРлѳеКтеДр. ТaрaфИмзa кaршИ бaшКa кaЫПлaрдaн вѳя дoлaЙлИ, aнЗИ яа дa сoнуК ОлaрaК oртaЯа кИКaн (герИ вѳя геТир кaЫПлaн кaЫпaн aнКaК бунлaрa сИрИнИ кaИлMAYaн) зaрaрлaрдaн дoлaЙ вѳя дѳзѳнлИ бaКИМ, вѳрлѳерИ кaЫдeдИлМесИ яа дa герИ уКленМесИ ѳБИ фaаИлЬетлѳерн Отѳрѳ кaршИлaшЃИМз зaрaрлaрн тaЗМИНлѳе ИлГИ бeрхaнГИ БИР сoрУМЛѳлѳУМУЗ сѳЗ кoнУсу олMAYaКaКтр. ГеКерТИ яаСАлaрдaн кaЫнaКлaнaн кaнУнИ хaКлaрИМз, иHTИЯрИ ОлaрaК сУнУлaн БУ уретиК гaрaнТИСИ кoшУллaрдaнaнeТКилеМз. Урѳнѳнѳзѳ, сaтнИ аЛДИЃИМз уКлѳедн бaшКa БИР уКлѳеде сeрвИсе гѳтѳрѳдѳгѳнѳз тaКрИде, урѳнѳнѳзѳ иКен сaтн aлMAYI геКерТИдИЃИНИЗ уКлѳеде геКерТИ гaрaнТИ кoшУллaн чѳрЧевесинде сИЗМет вѳрлМесини сaЃлaMAYa чaлшИЗ.

### Курulum адимлaрИ

ДетaлИ адИмлaр иКен лѳтѳен курulum кИлaвУзУнa бaКИМ.

Урѳне бaЃлaнMаК иКен WIZ уЙгУлaMаСИнИ кУруМ (WIZ уЙгУлaMаСИнИН чaлшИМaСИ хaККИндa дaхa фaзлa бИлГИ аЛMаК иКен лѳтѳен ХИЗЛИ БaшлaнГИК КИлaвУзУнa бaКИМ).

### ГaрaнТИ

ГaрaнТИ сИКИ кУллaнИМ кoшУллaрИнa бaЃИДр; БУ кoнУ хaККИндa дaхa фaзлa бИлГИ иКен лѳтѳен вѳб сИТЕМИЗИ зИЯРЕТ ЕДИН:

<https://www.wizconnected.com/en/consumer/support/>

### КaблoсУз ѳзелликлѳери:

КaблoсУз RF мoду фрекaнс бaнДИ: 2400 – 2483,5 MHz

АКтaрИлaн мaКСИМУМ гѳцѳ:

Wi-Fi: МaКС, 20 dBm

Bluetooth: МaКС, 10 dBm

Урѳнлѳер кaрaрИТИЧИлaрa бИрлИКте кУллaнИлMAYaДр, кaрaрТМa иКен WIZ уЙгУлaMаСИнИ кУллaнИМ.

АКмa/кaПaтMа ишлѳеVI Wi-Fi бaЃлaнТИСИ олMAYaн кУллaнИлaБИЛр.

СИГнИФИ БУ бeлгѳеYE WIZ Лaмбa АРмaтѳрѳлѳери РАДЮ еКИПмaнТИ тѳрѳнѳн 2014/53/EU(RED) нУмaрaли ДИРЕКТИВЕ уЙгУн ОлДУЃУнУ бѳЯН

еТМЕКтеДр. АБ уЙгУнлУК бѳЯннИТaн тaМ тeМНИнИ сУ иНТЕрeТ aДРЕСИндE булaБИлСИЗ: [wizconnected.com](http://wizconnected.com)

Wi-Fi™ ве Wi-Fi CERTIFIED лoгoсу Wi-Fi Alliance™н тeСЦИлИ тИЧaРИ мaрКaлaрИДр.

Wi-Fi CERTIFIED™ ве WPA2™, WPA3™ Wi-Fi Alliance™н тИЧaРИ мaрКaлaрИДр.

Bluetooth™ кeлИМесИ ве лoгoлaрИ Bluetooth SIG, INC™нИ мѳлкИЯТИндEКИ тeСЦИлИ тИЧaРИ мaрКaлaрИДр.

Amazon, Alexa ве тѳм ИлГИлИ лoгoлaрИ Amazon.com, Inc™нИ вѳя бaЃЛИ кУрулУшлaрИнИ тИЧaРИ мaрКaлaрИДр.

Google, Google LLC™нИ тИЧaРИ мaрКaСИДр. Siri, Apple Inc.™нИ тeСЦИлИ тИЧaРИ мaрКaСИДр.

Бу мaрКaлaрИН СИГнИФИ ТaрaФИндaн бeрхaнГИ БИР шЕКИлде кУллaнИлMаСИ лИСaнс кaпсaмИндaР.

ДИЃЕР тИЧaРИ мaрКaлaрИ ве тИЧaРИ aДлaр, ИлГИлИ сaнИПлѳерИне aИТТр.

## ВГ - ИНСТРУКЦИИ ЗА БЕЗОПАСНОСТ

БлaгoдaрИМ вИ, чЕ зaКупИлИТЕ тOЗИ ПРoДУКТ НА WIZ. ВИСОКО ОЦЕНЯВАМЕ, ЧЕ ИЗБРАХТЕ МАРКАТА WIZ И ВИ ПОЖЕЛАВАМЕ МНОГО ПРИЯТНО КОМПЕТИ ПРИ ИЗПОЛЗВАНЕ НА ВАША ПРОДУКТ. ТОВА РЪКОВОДСТВО Б СЪДЪРЖА ОПРЕДЕЛЕНИЯ НА ВСИЧКИ ПОТЕНЦИАЛНО ПРИЛОЖИМИ ПАРАМЕТРИ И СПЕЦИФИКАЦИИ С ИКОНИ СПОРЕД МЕЖДУНАРОДНИТЕ НОРМИ И СТАНДАРТИ ЗА БЕЗОПАСНОСТ. ВЪЗМОЖНО Е ОБАЧЕ НЕ ВСИЧКИ ОТ ТЯХ ДА СА ПРИЛОЖИМИ ЗА ПРОДУКТА, КОЙТО СТЕ ЗАКУПИЛИ – МОЛЯ, НАПРАВЕТЕ СПРАВКА С ДОПЪЛНИТЕЛНОТО РЪКОВОДСТВО А ЗА ТЕЗИ, КОИТО КОНКРЕТНО СЕ ОТНАСАТ ЗА ТОЗИ ПРОДУКТ.

Производителят препоръчва осветелните тела да се използват само по предназначение! Винаги следвайте тези инструкции, за да сте сигурни, че осветителното тяло е монтирано и функционира правилно и безопасно. Пазете инструкциите за бъдещи справки. Винаги първо се консултирайте с професионалист, за да изберете правилния начин за стабилно закрепване и монтаж на продукта. Вземете предвид теглото на продукта и материала на повърхността на монтиране. При съмнения се консултирайте с квалифициран специалист или се консултирайте с магазина на дребно. Уверете се, че продуктът е инсталиран винаги в съответствие със съответните нормативни изисквания. Някои правила изискват електрическите продукти да се инсталират само от квалифициран специалист (напр. Part P за Обединеното кралство, AS/NZS3000 IN за АВСТРАЛИЯ/НОВА ЗЕЛАНДИЯ). Винаги спирайте потока на ел. енергия преди започване на монтаж, техническо обслужване или ремонт. Спазвайте правилния швят на проводниците при монтаж: син (N), кафяв (Ф) и при клас на защита I жълто-зелен (земя). Монтирайте стенните осветелни тела извън достъпа на деца. Ако продуктът се монтира върху метална повърхност, тя трябва да бъде свързана със защитния проводник за заземяване или с проводника за изравняване на потенциалите на електрическата инсталация. Винаги затягайте здраво винтовете на клемите, особено приставките за нисковолтови проводници (12 V) (ако е приложимо). Силно се препоръчва редовно да проверявате и затягате отново винтовете на клемите. Дръжте опаковъчните материали далеч от деца. (Напр. найлонно-е тoрбИчки,...). Поддържайте вътрешното осветление със суха кърпа, не използвайте абразивни препарати или разтворители. Избягвайте попадането на течности върху всички електрически части. Изхвърляйте незабавно напукания или счупен прозрачен капак и използвайте само части, одобрени от производителя. Препоръчва се да се използват само лампи с

Моля, запознайте се с местната система за изхвърляне, разделяне и събиране на отпадъци от електрически и електронни продукти и опаковки. Моля, действайте в съответствие с местните правила и не изхвърляйте стария продукт и опаковката заедно с обикновените битови отпадъци. Правилното изхвърляне на опаковката, на Вашия продукт и/или батерии ще помогне да се предотвратят потенциални негативни последици за околната среда и човешкото здраве. Батериите трябва да се изхвърлят отделно от потока на битовите отпадъци чрез определените за целта събирателни пунктове. При изхвърляне на продукт, който съдържа батерии, които не могат да се заменят от потребителя, същите трябва да бъдат отстранени от специалист.

**ВНИМАНИЕ:** По-долу ще откриете всички обяснения с цифрени препратки към съответните икони през тези инструкции за безопасност:

01) Продуктът трябва да си монтира само в затворени помещения. 02) Продуктът не е подходящ за монтиране в баня, със сигурност не в посочената зона. 03) Продуктът не е подходящ за директно монтиране на обикновено запалими повърхности. 04) Продуктът не е подходящ за покряване с термично изолиращ материал. 05) Продуктът е подходящ за монтиране само на тавана. 06) Продуктът е подходящ за монтиране само на стената. 07) Продуктът е подходящ за монтиране на стената или на тавана. 08) Винаги вземайте предвид минималното разстояние, както е посочено на иконата, между лампата и осветявания обект. 09) IPX: Продуктът е защитен от капеша вода. IPX3: Продуктът може да бъде изложен на въздействието на дъждовните капки (падащи капки под ъгъл не по-голям от 60° спрямо вертикалната ос). IPX4: Продуктът е устойчив на пръски: може да бъде изложен на пръски вода от всяка посока (360°). IPX5: Продуктът е защитен от водна струя. IPX7: Продуктът може да се вгражда в земята. IPX8: Продуктът е защитен от потапяне до посочената дълбочина. IPXK: Продуктът е защитен от прах. IP6X: Продуктът е прахонепропусклив. 10) Заменяйте незабавно напукано или счупено предпазно стъкло и използвайте само бросиликатни части със същите размери и минимална дебелина от 3 мм. 11) Защита от клас I: продуктът или компонентът има проводник за заземяване. Този проводник (жълто-зелен) трябва да се включи към изхода, обозначен със знак Защита от клас I. 12) Защита от клас II: продуктът или компонентът се предоставя с двойна или посилена изолация. 13) Защита от клас III: продуктът или компонентът е подходящ само за предпазно особено ниско напрежение (<50 V променлив ток; <120 V прав ток). 14) Оголетен проводника, както е посочено на иконата. 15) Заеманият проводник трябва винаги да е по-дълъг от кафявия „фаза“ (Ф) и синия неутрален (Н). 16) Включените в комплекта топлоустойчиви изолационни маркучи трябва да се поставят на оголените краища на проводниците. 17) Продуктът е приспособен само за директно включване в ел. мрежата. 18) - X-връзка: В случай на повреда на проводника тя трябва да бъде сменен с проводник от същия тип. - Y-връзка: В случай на повреда на проводника от съображения за безопасност той трябва да бъде сменен от производител, дистрибутор или специалист. - Z-връзка: Външният гъвкав кабел на това осветително тяло не може да бъде сменен. Ако той бъде повреден, осветителното тяло ще бъде разрушено. 19) MAX...W: използвайте само подходящи за този продукт лампи в рамките на посочената максимална мощност. 20) Продуктът е подходящ само за рефлекторни лампи. 21) Продуктът е подходящ само за лампи CFL-I или LED (напр. E14, E27, GU10, GX53, ...). 22) Продуктът не е подходящ за лампи CFL-I или LED (напр. E14, E27, GU10, GX53, ...) 23) Може да се използва само лампа с диаметър 60 мм. За този продукт не трябва да се използва лампа с диаметър 45 мм. 24) Използвайте само лампа тип глобус с размер с посочения диаметър. Никога не използвайте стандартна лампа с нажежаема жичка. 25) Този продукт е подходящ само за лампи с формата на свещ. 26) Продуктът е подходящ само за лампа с вградена защита или такава с ниско налягане. Не е необходимо допълнително защитно стъкло. 27) Халогенните линейни лампи и тези тип капсула не трябва да се докосват с голи ръце. 28) Продуктът е оборудван с предпазител. Ако продуктът все още не работи след подмяна на лампа, трябва да се сменят вътрешните предпазител. Ако е необходим контакт с вътрешните кабели, това трябва да се прави от компетентен електротехник. 29) Продуктът е димруем с предоставения димер или с димер (не е предоставен), свързан с електрическата инсталация в дома. За справка, моля, посетете „Wizconnected.com“. Консултирайте се с квалифициран техник за избор на подходящ тип димер. 30) Продуктът не е димруем. 31) Продуктът е димруем САМО с приложението димер. Не свързвайте с допълнителен димер. 32) Функцията за димруемост зависи от избраната лампа. Повече информация за функциите за димруемост можете да намерите в информационния пакет, предоставен с лампата. 33) Продуктът работи с предпазен трансформатор. Ако трансформаторът се повреди е необходимо да се замени с такъв със същите технически параметри. Консултирайте се с квалифициран специалист или във вашата магазин. 34) Продукт за употреба при неблагоприятни условия. 35) Продукт с възможности за регулиране на часа и светлината. Минималните и максималните стойности са посочени на иконата. 36) Продуктът може да бъде монтиран на макс. височина до 6 м. 37) За надеждна работа трябва да монтира продукта на посочената височина съгласно иконата. Максималният и минималният обхват на детектора също са посочени. 38) Стандартния активен обхват на детектора за наблюдение покрива дадените градуси, посочени на иконата. 39) Този продукт следва да се монтира хоризонтално. За по-добър живот лампата трябва да се поставя под не повече от 4-градусов наклон. 40) Внимавате да не засегнете при пробиване с бормашината по време на монтаж електрически кабели или други прегради в стената или тавана! 41) Ако продуктът се монтира в кутия на тавана или стената, е задължително тя първо да бъде покрита с капак. (напр. Нидерландия) 42) Електрическите проводници не трябва да бъдат притиснати или усуквани между проводите и монтажната повърхност! 43) Части от този продукт могат да се нагорещат. 44) Този продукт не е подходящ за деца на възраст под 7. 45) Продуктът е подходящ само за лица на възраст над 10 години. 46) Монтирайте продукта извън досега на ръцете (X1: за деца, X2: за възрастни). 47) Продуктът се монтира от двама души. 48) За да предотвратите корозия, почиствайте осветителното тяло поне 2 пъти годишно с мека кърпа и неутрален препарат. 49) Тъти в крайбрежните или индустриалните райони) 49) При монтаж продуктът може да се постави само с помощта на инструмент. 50) Внимание: Опасност от токов удар! Светлинният източник в това осветително тяло следва да се заменя само от производителя или негов сервизен представител или лице с подобна квалификация. 51) Подмяна се светлинен източник (само СВЕТОДИОД) от крайния потребител. 52) Подмяна се светлинен източник от крайния потребител. 53) Подмяна се светлинен източник (само СВЕТОДИОД) от специалист: Светодиодният светлинен източник на това осветително тяло може да се подмяна само от производителя, от негов сервизен техник или друго квалифицирано лице. 54) Подмяна се светлинен източник от специалист: Светлинният източник на това осветително тяло може да се подмяна само от производителя, от негов сервизен техник или друго квалифицирано лице. 55) Неподмяна се светлинен източник: Светлинният източник в това осветително тяло не може да се заменя; когато той достигне края на експлоатационния си срок, следва да се замени цялото осветително тяло. 56) Подмяна се механизъм за управление от крайния потребител. 57) Подмяна се механизъм за управление от професионалист. 58) Неподмяна се механизъм за управление. 59) Не използвайте устройството за контрол с мокри ръце, в пространствата, изложени на директен

контакт с вода, или на открито 60.) Не се взирайте в действащия светлинен източник

**Регламент за енергийното етикетироване (EU)2019/2015:** 61) Този продукт съдържа светлинен източник от клас на енергийна ефективност A. 62) Този продукт съдържа светлинен източник от клас на енергийна ефективност B. 63) Този продукт съдържа светлинен източник от клас на енергийна ефективност C. 64) Този продукт съдържа светлинен източник от клас на енергийна ефективност D. 65) Този продукт съдържа светлинен източник от клас на енергийна ефективност E. 66) Този продукт съдържа светлинен източник от клас на енергийна ефективност F. 67) Този продукт съдържа светлинен източник от клас на енергийна ефективност G.

Този продукт е специално проектиран и разработен за домашна употреба, единствено при нормални условия и начин на работа. Животът, упоменат на опаковката, е само среднена величина (в съответствие със стандарти L70B50 и норми IEC60969) и се базира на средно 3 часа светене на ден. Ако срещате затруднения при използването на продукта, препоръчваме първо да направите справка с ръководството за потребителя и информацията на нашия уебсайт. Съгласно настоящите правила и условия, ние като производител (това означава Netherlands B.V., International Business Reply Service I.B.R.S. / C.C.R.I. Numéro 10461 5600 VB Eindhoven, Нидерландия) гарантираме съгласно българското законодателство, че продуктът е без дефекти по отношение на материалите и изработката за период от две (2) години след датата на покупка, освен ако не е посочен различен период в или върху опаковката на продукта, и при спазване на поддръжката на продукта в съответствие с инструкциите за грижи и почистване, описани в ръководството за потребителя. Освен ако законови разпоредби на приложимо законодателство не уреждат друго, нашите задължения в рамките на гаранцията ще бъдат ограничени, по наша преценка, до ремонт, предоставяне на заместител на дефектния продукт или предлагане на подходящ кредит/сума в размер на покупната цена на дефектния продукт. (Де)монтирането и/или (де)инсталирането и разходите за труд са изключени от гаранцията, както са и счупени стъкла, батерии или крушки за подмяна. Предприемателите от нас мерки в рамките на гаранцията няма да удължат или подновят оригиналния приложим гаранционен период. По наша преценка, имаме право да подменим дефектния продукт, обхващан от гаранцията, с продукт с минимални разлики в дизайна и/или спецификациите, които не оказват влияние върху функционалността на продукта. За да имате право да предявите валидна претенция исх по тази гаранция, трябва при поискване да ни представите (или наш представител) подходяща касова бележка за вашата покупка, както и дефектния продукт за анализ. До максималната степен, разрешена от приложимото законодателство, тези правила определят цялата ни отговорност като производител, във връзка с дефектни или несъответстващи на изискванията продукти. Няма да носим отговорност пред вас за други загуби, непреки или последващи щети (включително, но не само, загуба на данни или загуба на доход), нито ще се обземе за дейности като редовно обслужване, съхраняване или възстановяване на данни. Знаете ли ви права, произтичащи от приложимото законодателство, не се влияят от тази гаранция, която е доброволно предоставена от производителя. Ако дадете вашия продукт за сервиз в държава, различна от тази, в която сте го закупили, ще се опитаме да сервизираме продукта ви спрямо гаранционните условия на държавата, в която сте закупили продукта.

#### Стъпки за монтаж

Моля, вижте ръководството за инсталиране за подробна информация относно стъпката.

Стартирайте приложението WiZ, за да свържете продукта (Направете справка с ръководството за Бързо начало за по-подробна информация за приложението WiZ).

#### Гаранция

Гаранцията подлежи на строги условия за употреба, за повече информация, моля, посетете нашия уебсайт: <https://www.wizconnected.com/en/consumer/support/>

#### Безжични спецификации:

Честотна лента на безжичен RF режим: 2400 – 2483,5 MHz

Максимална мощност на предаване:

Wi-Fi: макс. 20 dBm

Bluetooth: макс. 10 dBm

Продуктите не трябва да се използват с димери, за затъмняване използвайте приложението WiZ.

Функция за включване/изключване без свързване с Wi-Fi.

С настоящото, Signify декларира, че радиооборудването, тип WiZ Luminaires отговаря на Директива 2014/53/EC(REД). Пълният текст от ЕС декларацията за съответствие можете да намерите в интернет на адрес: [www.wizconnected.com](http://www.wizconnected.com)

Логата Wi-Fi® и Wi-Fi CERTIFIED са регистрирани търговски марки на Wi-Fi Alliance.

Wi-Fi CERTIFIED™, WPA2™, WPA3™ са регистрирани търговски марки на Wi-Fi Alliance.

Думата и логата Bluetooth® са регистрирани търговски марки на Bluetooth SIG, INC.

Amazon, Alexa и всички свързани логота са търговски марки на Amazon.com, Inc или нейните филиали.

Google е запазена марка на Google LLC. Siri е регистрирана търговска марка на Apple Inc.

Всяко използване на такива марки от Signify е по лиценз.

Останалите търговски марки и търговски имена са на техните съответни собственици.

## HU - BIZTONSÁGI UTASÍTÁSOK

Köszönjük, hogy megvásárolta ezt a WiZ terméket! Rendkívül hálásak vagyunk azért, hogy a WiZ márkát választotta, és kívánjuk, hogy sok örömet lelje a termék használatában! A „B” kézikönyv minden lehetséges paraméter és specifikáció meghatározását és ikonját tartalmazza a nemzetközi és biztonságos vonatkozó szabványoknak megfelelően. Előfordulhat azonban, hogy közülük nem mindegyik vonatkozik a megvásárolt termékre. A termékspecifikus paramétereket és specifikációkat a kiegészítő „A” jelzésű kézikönyvben találja.

A gyártó ajánlja a lámpák helyes használatát! Ezért mindig kövesse ezeket az utasításokat! A lámpák helyes és biztonságos telepítéséhez és működtetéséhez, és tartsa meg későbbi megtekintésre is. A biztonságos rögzítés érdekében a megfelelő pánt kiválasztásához mindig kérje szakember segítségét. Vegye figyelembe a készülék súlyát és a fal szerkezetét. Ha kétségek merülnek fel, forduljon szakképzett vagy hivatalos villanyzerelő szakemberhez, vagy tájékozódjon a termék megvásárlásának helyén. A terméket az érvényes szabványoknak megfelelően szerelje fel. Vannak olyan előírások, melyek megszabják, hogy elektromos termékek kizárólag hivatalos villanyzerelő szakember szerelhet fel. (pl. a „P” jelű rész az Egyesült Királyság, az AS/NZS3000 IN Jelzésű pedig Ausztrália és Új-Zéland esetében). A szerelés, karbantartás és javítás előtt minden esetben végezzen áramtalanítást. Szerelés előtt ellenőrizze a vezetékek színét: kék (N), barna (L) és I-es osztályú védettség esetében sárga/zöld (föld). A fali lámpákat úgy szerelje fel, hogy azokhoz gyermekek ne férhessenek hozzá. Amennyiben a terméket fémfelületre rögzítette, a felületnek megfelelő védelmi fóliával, vagy egy azonos feszültségű összekötő vezetékkel kell rendelkeznie. A csavarokat húzza meg erősen, különös tekintettel a kis feszültségű vezetékek (12 V) tartozékainak esetében! (ha vannak olyanok). Nyomatékosan ajánlott a csavarok szorításának rendszeres ellenőrzése, és időnkénti ismételt megkötés. A csomagolóanyagokat (pl. műanyag tasakok...) tartsa gyermekektől távol. A belső világítótesteket szakszerűen kicserélje ki, és azonos határértékű dörzsölő hatású tisztítószerekkel és oldószerekkel. Ügyeljen arra, hogy az elektromos részek ne kerüljenek kapcsolatba folyadékokkal. A repedezett és törött általános borítást haladéktalanul cserélje ki; a cseréhez kizárólag a gyártó által jóváhagyott alkatrészeket használjon. Ajánlott a „WIZ” márkájú izzók kizárólagos használata.

Érdeklődjön az használt elektromos és elektronikus termékek és csomagolások helyi szelektív gyűjtéséről és ártalmatlanításáról. Kövesse a helyi szabályozást, és ne helyezze az elhasználadott terméket háztartási hulladék-gyűjtőbe. A csomagolás, valamint az elhasználadott termék és/vagy akkumulátorok megfelelő ártalmatlanítása segít megelőzni a környezet és emberi egészség károsodását. Az akkumulátorokat külön, a helyi önkormányzat által megjelölt helyen kell gyűjteni, és nem szabad az háztartási hulladék közé keverni őket. A nem cserélhető akkumulátorokat tartalmazó termékek ártalmatlanításakor a nem cserélhető akkumulátorokat szakembernek kell eltávolítania.

**FIGYELEM:** Az alábbiakban az ikonokra vonatkozó magyarázatokat találja számíthatóságok segítségével a biztonsági utasítások előtt:

01) A termék csak beltéri használatra szolgál. 02) A termék nem alkalmas a fürdőszobában történő használatra; ez a megadott zónára természetesen nem vonatkozik. 03) A termék átlagosan tűzveszélyes felületre nem szerelhető fel. 04) A termék nem fedhető le hőszigetelő anyaggal. 05) A termék csak mennyezetre szerelhető fel. 06) A termék csak falra szerelhető fel. 07) A termék mennyezetre és falra szerelhető. 08) Tartsa be az ikonon jelzett minimális távolságot a lámpatest és a megvilágított objektum között. 09) IPX1: A termék függőlegesen vízre zártan ellen védett. IPX3: A termék cseppelő víz (a függőleges tengelytől számított 60°-os szögig) ellen védett. IPX4: A termék bármely irányból (360°) fröccsenő víz ellen védett. IPX5: A termék bármely irányból alacsony nyomású vízszugár ellen védett. IPX7: A termék bemeztetés ellen védett (földbe helyezhető). IPX8: A termék a jelzett mélységig folyamatos merítés ellen védett. IPX9: A termék por ellen védett (nem teljes por elleni védelem). IPX6: A termék pormentes. 10) A repedt vagy törött biztonsági üveget haladéktalanul cserélje ki, és azonos területű, legalább 3 mm vastag borszilikát üveget használjon. 11) I-es védettségű osztály: A termék vagy alkalmas földelő csatlakozóval ellátott. A földvezetéket (sárga/zöld) a jelű csatlakozóhoz csatlakoztassa I-es védettségű osztály. 12) II-es védettségű osztály: A termék vagy alkatrésze dupla vagy megerősített szigeteléssel rendelkezik. 13) III-as védettségű osztály: A termék vagy alkatrésze kizárólag különösen alacsony biztonsági tápesszültséghez (<50 V a.c., <120 V d.c.) alkalmas. 14) Csupaszítsa le a vezetéket az ikonon láthatóak szerint. 15) A földvezetéknek hosszabbnak kell lennie a barna fázisnál (L) és a kék nullánál (N). 16) A mellékelt hálótókat a nem csapzott kábelhosszon használja. 17) A terméket kizárólag közvetlenül az elektromos hálózatba szabad kötni. 18) X-csatlakozó: A sérült vezetéket azonos típusúra kell cserélni. Y-csatlakozó: A sérült vezetéket kizárólag a gyártó, forgalmazó vagy szakember cserélheti ki a kockázatok elkerülése végett. Z-csatlakozó: A világítótestet külső flexibilis vezetékbe vagy kábelbe nem cserélhető. A kábel sérülésekor a teljes lámpatestet meg kell semmisíteni. 19) MAX. ...W: Csak a termékhez megfelelő izzókat használjon a maximális watttartományon belül. 20) A termékhez csak reflektorizzók használhatók. 21) A termékekhez csak CFL-i vagy LED-izzók (pl. E14, E27, Gu10, Gx53, ...) használhatók. 22) A termékhez nem használhatók CFL-i vagy LED-izzók (pl. E14, E27, Gu10, Gx53, ...). 23) Csak 60 mm átmérőjű izzó használható. A termékhez tilos 45 mm átmérőjű izzót használni. 24) Csak a megadott átmérőnek megfelelő méretű gömbizzót használjon. Tilos a normál izzó használatát.

25) A termékhez csak gertyaüzemű használható. 26) A termékhez csak beépített biztonsági vagy alacsony nyomású izzó használható. Külön biztonsági üveg nem szükséges. 27) Csupasz kézzel ne érjen hozzá a kapszula- és lineáris halogén izzókhöz. 28) A termékhez biztosíték tartozik. Ha a termék az izzócserét követően nem működik, cserélje ki a belső biztosítókat. Ha a belső vezetékkel is érintkezésbe kerülhet, akkor kérje villanyzerelő szakember segítségét. 29) A termék a mellékelt vagy egy, az otthoni hálózatra csatlakoztatott (nem mellékelt) fényérő-szabályozóval szabályozható. További részletekért látogasson el a „Wizconnected.com” weboldalra. A megfelelő fényérő-szabályozó típusáról érdeklődjön egy villanyzerelő szakembertől. 30) A készülék fényereje nem szabályozható. 31) A készülék fényereje KIZÁRÓLAG a mellékelt fényérő-szabályozóval állítható. Ne csatlakoztassa további fényérő-szabályozóhoz. 32) A fényérő-szabályozási funkciók a választott fényforrástól függenek. A fényérő-szabályozási jellemzőkkel kapcsolatos további információk az izzóhoz mellékelt információs csomagban található. 33) A termék biztonsági átalakítással működik. A törött átalakítást kizárólag azonos műszaki paraméterűre cserélje. Forduljon villanyzerelő szakemberhez vagy hasonló termékek árusító kereskedőhöz. 34) A termék alkalmas a nagy igénybevételre. 35) A termék idő- és fénybeállítással rendelkezik. A minimális és maximális értéket az ikonon találja. 36) A termék legfeljebb 6 m magasságban szerelhető fel. 37) A megbízható működés érdekében a terméket az ikonon megadott magasságban szerelje fel. Az érzékelő maximális és minimális hatótávolságát is leolvashatja az ikonról. 38) Az érzékelő látóteréknek normál aktív tartományra megfelel az ikonon feltüntetett fokoknak. 39) A terméket vízszintesen kell felszerelni. A hosszabb élettartam érdekében az izzóknak legfeljebb 4 fokos szöveget szabad bezárnia. 40) Ügyeljen arra, hogy fűrés közben ne érjen elektromos vezetékhez vagy más akadályhoz a falban vagy mennyezeten. 41) A termék mennyezeti vagy fali dobozba szerelésekor először le kell fedni a dobozt egy fedéllel (pl. Hollandiában).

42) Ügyeljen arra, hogy az elektromos vezeték soha ne csavarodjon meg és ne szoruljon a termék és a rögzítési felület közé. 43) A termék részei felforrósodhatnak. 44) A terméket Y év alatti gyermekek nem használhatják. 45) A terméket kizárólag Y év feletiek használhatják. 46) A terméket karnyújtással nem elérhető helyre szerelje (X1: gyermekek esetében, X2: felintétek esetében). 47) A termék felszerelése 2 személy számára ajánlott. 48) A korrózió elkerülése érdekében évente legalább kétszer tisztítsa meg a lámpatest puha ruhával és semleges tisztítószerezellel. (4-szer a part menti vagy ipari területeken) 49) A termék csak szerelés közben, szerszámmal állítható be. 50)

**Figyelmeztetés: Áramütésveszély! A lámpatestben található fényforrást kizárólag a gyártó, szervizképzésű vagy hivatalos szakszerviz**

Szakembere cserélhető ki. 57) Végfelhasználó által cserélhető (csak LED) fényforrás. 57) Végfelhasználó által cserélhető fényforrás. 53)

Szakember által cserélhető (csak LED) fényforrás: A lámpatestben található LED fényforrást csak a gyártó, annak szervizmegbízottja vagy hasonló szakképzett személy cserélheti ki. 54) Szakember által cserélhető fényforrás: A lámpatestben található fényforrást csak a gyártó, annak szervizmegbízottja vagy hasonló szakképzett személy cserélheti ki. 55) Nem cserélhető fényforrás: A lámpatest fényforrása nem cserélhető; ha a fényforrás elérte az élettartama végét, a teljes lámpát ki kell cserélni. 56) Végfelhasználó által cserélhető szabályozószerelevény.

57) Szakember által cserélhető szabályozószerelevény. 58) Nem cserélhető szabályozószerelevény 59) Ne használja a vezérlőeszközt nedves kézzel, vízzel kitett helyeken vagy kültéren. 60) Ne nézzen közvetlenül a működő fényforrásba.

**Energiafogyasztási címkézési rendelet (EU)2019/2015:** 61) Ez a termék „A” energiahatékonysági kategóriájú fényforrást tartalmaz. 62) Ez a termék „B” energiahatékonysági kategóriájú fényforrást tartalmaz. 63) Ez a termék „C” energiahatékonysági kategóriájú fényforrást tartalmaz. 64) Ez a termék „D” energiahatékonysági kategóriájú fényforrást tartalmaz. 65) Ez a termék „E” energiahatékonysági kategóriájú fényforrást tartalmaz. 66) Ez a termék „F” energiahatékonysági kategóriájú fényforrást tartalmaz. 67) Ez a termék „G” energiahatékonysági kategóriájú fényforrást tartalmaz.

Ezt a terméket kifejezetten és kizárólag otthoni, normál körülmények és üzemeltetés melletti használatra tervezték és fejlesztették. A csomagolásán megadott élettartam mindössze átlagérték (az L70B50 és az IEC 60969 szabvány szerint), és napi három óra átlagos üzemidőn alapul. Amennyiben a termék használata során nehézségekbe ütközne, azt javasoljuk, hogy először tekintse meg a felhasználói kézikönyvet és a webhelyünkön elérhető információkat. Vállalatunk (Signify Netherlands B.V., International Business Reply Service I.B.R.S. / C.C.R.I. Numérol 10461 5600 VB Eindhoven, Hollandia) mint gyártó a jelen feltételek szerint a vásárlás időpontjától számított 2 (kettő) évig Magyarország jogszabályai szerint szavatolja a termék anyag- és gyártási hibától való mentességét, kivéve, ha a termék csomagolásán vagy azon belül más időtartam szerepel, azzal a feltétellel, hogy a termék karbantartását a felhasználói kézikönyvben foglalt ápolási és tisztítási utasítások szerint elvégzi. Amennyiben a vonatkozó jogszabályok kötelezően alkalmazandó rendelkezései eltérően nem rendelkeznek, a jótállásban foglalt kötelezettségeink saját választásunk szerint a hibás termék javítására, cserétermék biztosítására vagy a vételár megfizelő, a jótállásra korlátozódnak. A jótállás nem terjed ki a fel- és leszerelési, illetve telepítési és eltávolítási költségekre, valamint a munkadíjra, továbbá az üvegterésre, az elemekre és a cserélhető fényforrásokra sem. A vállalatunk által a jótállás alapján kínált jogorvoslati lehetőségek igénybevétele esetén a jótállási idő nem hosszabbodik meg, és nem kezdődik újból. A jótállás hatálya alá tartozó hibás terméket jogosultak vagyunk saját választásunk szerint olyan termékre kicserélni, amelynek tervezése, illetve jellemzői kisebb mértékben, a termékfunkciókat nem érintő módon eltérnek. A jelen jótállás alapján követelését akkor érvényesítheti, ha kérésre bemutatja vállalatunknak (vagy képviselőinknek) a megfelelő vásárlási bizonylatot és elemzés céljából a hibás terméket. A jelen jótállás a hibás vagy előírásoknak nem megfelelő termékekkel kapcsolatos teljes gyártói felelősségünket rögzíti az alkalmazandó jogszabályok szerint megengedett maximális mértékben. Nem vagyunk felelősek Ön felé az egyéb veszteségért, illetve közvetett vagy következményes kárért (ideértve egyebek mellett az adatvesztést és az elmaradt bevételt), és nem térítjük meg az olyan tevékenységek, mint például a rendszeres karbantartás, illetve az adatmentés vagy -helyreállítás költségeit. Az alkalmazandó jogszabályok alapján Önt megillető jogokat a jelen önkéntes gyártói jótállás nem érinti. Amennyiben a terméket a vásárlás helye szerinti országtól eltérő országban adja szervizbe, megkíséreljük a terméket a vásárlás helye szerinti országban érvényes jótállási feltételek szerint szervizeltetni.

## A szerelés lépései

A részletes lépésekért tekintse meg a szerelési kézikönyvet.

Indítsa el a WiZ alkalmazást a termék csatlakoztatásához (a WiZ alkalmazás részletesebb működéséről a Rövid üzembehelyezési útmutatóban olvashat).

## Jótállás

A jótállásra szigorú használati feltételek vonatkoznak; további információkért látogasson el webhelyünkre: <https://www.wizconnected.com/en/consumer/support/>

## Vezeték nélküli kapcsolat műszaki adatai:

Vezeték nélküli RF-mód frekvenciasávja: 2400–2483,5 MHz

Maximális kimeneti teljesítmény:

Wi-Fi: max 20 dBm

Bluetooth: max. 10 dBm

A termékeket ne használja fényerő-szabályozókkal, a fényerő-szabályozáshoz használja a WiZ alkalmazást.

A be-/kikapcsolási funkció elérhető Wi-Fi-kapcsolat nélkül.

A Signify ezennel kijelenti, hogy a WiZ lámpatestek rádióberendezési típusa megfelel a 2014/53/EU(RED) irányelv követelményeinek. A EU-s megfeleléségi nyilatkozat teljes szövege megtalálható a következő webcimen: [wizconnected.com](http://wizconnected.com)

A Wi-Fi® és a Wi-Fi CERTIFIED logó a Wi-Fi Alliance bejegyzett védjegyei.

A Wi-Fi CERTIFIED™ és a WPA2™, WPA3™ a Wi-Fi Alliance védjegyei.

A Bluetooth® szó és logók a Bluetooth SIG, INC. tulajdonában lévő bejegyzett védjegyek.

Az Amazon, az Alexa és minden kapcsolódó logó az Amazon.com, Inc cégnek vagy kapcsolt vállalkozásainak védjegyei.

A Google a Google LLC védjegye. A Siri az Apple Inc. bejegyzett védjegye.

Az ilyen védjegyeket a Signify licenc alapján használja.

Minden más védjegy és kereskedelmi név a megfelelő tulajdonosok birtokában áll.

## ISL – NAVODILA ZA VARNOST

Zahvaljujemo se vam za nakup tega WiZ-ovega izdelka. Resnično cenimo, da ste se odločili za blagovno znamko WiZ, in vam želimo veliko uživanja pri uporabi izdelka. Priročnik B vsebuje opredelilne vseh morebitno primernih parametrov in specifikacij z ikonami v skladu z mednarodnimi normativi in varnostnimi standardi. Vendar pa vsi mogoče risni primerni za izdelek, ki ste ga kupili – v dodatnem priročniku A si ogledite ikone za tiste, ki so posebej primerni za ta izdelek.

Proizvajalec zagotavlja navodila za pravilno uporabo svetil. Ta navodila morate vedno upoštevati in jih hraniti za poznejšo uporabo, če želite pravilno in varno namestiti in uporabljati svetila. Predhodno se vedno posvetujte z strokovnjakom, da boste izbrali pravo zaponko za varno pritrditev izdelka. Pri tem upoštevajte teže izdelka in material površine namestitve. Če niste prepričani, se posvetujte z usposobljenim električarjem ali se obrnite na prodajalca. Izdelek mora biti vedno nameščen v skladu z veljavnimi predpisi. Nekateri predpisi zahtevajo, da električne izdelke lahko namestijo samo usposobljeni električarji (npr. del P za Združeno kraljestvo, AS/NZS3000 JN za Avstralijo/Novo Zelandijo). Pred namestitvijo, vzdrževanjem ali popravilom vedno izklopite napajanje. Pri namestitvi upoštevajte barve kablov: modra (N), rjava (L), pri zaščitnem razredu I pa rumena/zelena (ozemljitev). Svetila namestite na steno izven dosega otrok. Če izdelek namestite na kovinsko površino, mora biti ta povezana z zaščitnim ozemljenim prevodnikom ali prevodnikom enakomerne napetosti napeljava. Vijake priključka vedno trdno privijte, predvsem nastavke za nizkonapetostne kable (12 V) (če je primerno). Zelo priporočljivo je, da redno preverjate in privijate vijake priključkov. Embalažni material hranite izven dosega otrok (npr. plastične vrečke ...). Notranja svetila čistite s suho krpo, ne uporabljajte jedkih sredstev ali topil. Električni deli ne smejo priti v stik s tekočino. Počen ali zlomljen prosojni pokrov takoj zamenjajte in uporabljajte samo dele, ki jih priporoča proizvajalec. Priporočljivo je, da uporabljate samo sijalke WiZ.

Sezanite se z lokalnim sistemom odstranjevanja, ločevanja in zbiranja električne in elektronske opreme ter embalaže. Upoštevajte lokalno zakonodajo ter starega izdelka in embalaže ne odložite med običajne gospodinske odpadke. S pravilnim odlaganjem embalaže, izdelka in/ali baterij med odpadke boste preprečili morebitne negativne posledice na okolje in zdravje ljudi. Baterij ne smete odložiti med gospodinske odpadke, temveč na namenskih zbirnih mestih. Če odlagate izdelek, ki vsebuje baterije, ki jih uporabnik ne more zamenjati sam, bo takšne baterije odstranila strokovna oseba.

**POZOR:** spodaj so vse razlage s številskimi referencami na ustrezne ikone pred temi varnostnimi navodili:

- 01) Izdelek lahko namestite samo v zaprtih prostorih.
- 02) Izdelek ni primeren za namestitev v kopalnice, predvsem ne v navedenem območju.
- 03) Izdelek ni primeren za neposredno namestitev na normalne vnetljive površine.
- 04) Izdelka ne smete pokriti s toplotno izolacijskim materialom.
- 05) Izdelek lahko namestite samo na strop.
- 06) Izdelek lahko namestite samo na steno.
- 07) Izdelek lahko namestite na strop ali na steno.
- 08) Vedno upoštevajte najkrajšo razdaljo med svetilko in osvetljenim predmetom, ki je navedena na ikoni.
- 09) IPX1: Izdelek je zaščiten pred kapljanjem vode.
- IPX3: Izdelek lahko izpostaviše dežnim kapljam (padajočim kapljam pod kotom do 60° na navpično os). IPX4: Izdelek je odporen proti pršenju; lahko ga izpostaviše pršenju vode iz vsake smeri (360°).
- IPX5: Izdelek je zaščiten pred vodnimi curki.
- IPX7: Izdelek lahko namestite v tla.
- IPX8: Izdelek je zaščiten pred potopitvijo do navedene globine.
- IPX5: Izdelek je zaščiten pred prahom.
- IPX6: Izdelek je odporen na prah.
- 10) Počeno ali zlomljeno zaščitno steklo takoj zamenjajte in uporabljajte samo borosilikatne dele istih dimenzij in debeline vsaj 3 mm.
- 11) Zaščitni razred I: Izdelek ali komponenta ima ozemljeni priključek. Ozemljitvena žica (rumena/zelena) mora biti priključena na priključek z oznako zaščitni razred I.
- 12) Zaščitni razred II: izdelek ali komponenta ima dvojno ali okrepljeno izolacijo.
- 13) Zaščitni razred III: izdelek ali komponenta je primerna samo za varnostno nizkonapetostno napajanje (< 50 V AC; < 120 V DC).
- 14) Žico vkrizirte, kot je navedeno na ikoni.
- 15) Ozemljitvena žica mora vedno biti daljša od rjave napetostne (L) in modre nevtralne (N) žice.
- 16) Nad razkritimi deli žice morate uporabljati priloženo toplotno odporno obojko.
- 17) Izdelek lahko priključite samo neposredno na električno napajanje.
- 18) - Povezava X: poškodovano žico morate zamenjati z žico iste vrste.
- Povezava Y: poškodovano žico lahko zamenjate samo proizvajalec, distributer ali strokovnjak, da se izogne nevarnosti.
- Povezava Z: zunanje prilagodljive kabla tega svetila ni mogoče zamenjati. Če je kabel poškodovan, morate svetlo ukiniti.
- 19) Največ W: uporabljajte samo sijalke, ki so primerne za ta izdelek, in upoštevajte največjo navedeno moč v W.
- 20) Izdelek je primeren samo za reflektorske sijalke.
- 21) Izdelek je primeren samo za sijalke CFL-I ali LED-sijalke (npr. E14, E27, Gu10, Gx53 ...).
- 22) Izdelek ni primeren za sijalke CFL-I ali LED-sijalke (npr. E14, E27, Gu10, Gx53 ...).
- 23) Uporabite lahko samo sijalko premera 60 mm. S tem izdelkom ne smete uporabiti sijalke premera 45 mm.
- 24) Uporabite samo kroglasto sijalko navedenega premera. Ne uporabljajte standardne sijalke z žarnilo nitko.
- 25) Izdelek je primeren samo za sijalke v obliki sveče.
- 26) Izdelek je primeren samo za sijalko z vgrajeno zaščito ali nizkotlačno sijalko. Dodatno varnostno steklo ni potrebno.
- 27) Kapsularnih in halogenskih linearnih sijalk se ne smete dotikati z golimi rokami.
- 28) Izdelek ima varovalko. Če je izdelek po zamenjavi sijalke okvarjen, morate zamenjati notranjo varovalko. To mora storiti usposobljen električar, če lahko pride do stika z notranjimi žicami.
- 29) Izdelek lahko zateमितe s priloženim zatemnitelnim stikalom ali z (ločenim) zatemnitelnim stikalom, ki je priključen na električno napeljava doma. Reference si ogledate na spletni strani WiZConnected.com. Pri izbiri primernega zatemnitelnega stikala se posvetujte z usposobljenim električarjem.
- 30) Izdelka ni mogoče zatemniti.
- 31) Izdelek lahko zateमितe SAMO s priloženim zatemnitelnim stikalom. Ne povezuje ga z dodatnim zatemnitelnim stikalom.
- 32) Funkcije možnosti zatemnitve so odvisne od izbrane sijalke. Več informacij o možnostih zatemnitve je na voljo v dokumentaciji, priloženi sijalki.
- 33) Izdelek uporablja varnostni pretvornik. Okvarjen pretvornik zamenjajte samo s pretvornikom z enakimi tehničnimi specifikacijami. Posvetujte se z usposobljenim električarjem ali prodajalcem.
- 34) Izdelek za uporabo v zahtevnih okoliščinah.
- 35) Izdelek z možnostmi nastavitve Kaša in svetlobe. Najnižja in najvišja vrednost sta navedeni na ikoni.
- 36) Izdelek lahko namestite na višini do 6 m.
- 37) Da zagotovite zanesljivo delovanje, izdelek namestite na višino, ki je navedena na ikoni. Navedena sta tudi največji in najmanjši dosegi detektorja.
- 38) Standardni aktivni vidni dosegi detektorja pokriva stopinje, ki so navedene na ikoni.
- 39) Izdelek morate namestiti vodoravno. Da zagotovite daljšo življenjsko dobo, sijalka ne sme biti pod kotom nad 4 stopinje.
- 40) Pazite, da med namestitvijo ne prvertate električne napeljave ali drugih ovir v steni ali stropu.
- 41) Če je izdelek nameščen na stropno ali stensko vtičnico, morate najprej na vtičnico namestiti pokrov. (npr. na Nizozemskem)
- 42) Električna napeljava med izdelkom in površino namestitve ne sme biti stisnjena ali zvita.
- 43) Deli izdelka lahko postanejo vroči.
- 44) Izdelek ni primeren za otroke pod Y. letom starosti.
- 45) Izdelek lahko uporabljajo samo osebe nad Y letom starosti.
- 46) Izdelek namestite izven dosega (X1: za otroke, X2: za odrasle).
- 47) Izdelek morata namestiti 2 osebi.
- 48) Da preprečite korozijo, svetilnico očistite vsaj 2-krat na leto z mehko krpo in nevtralnimi detergentom. (4-krat na obalnih ali industrijskih območjih).
- 49) Izdelek lahko nastavite samo med namestitvijo in z orodjem.
- 50) Pozor: nevarnost električnega udara! Svetlobni vir v tem svetilu lahko zamenjate samo proizvajalec, njegov servisni zastopnik ali

Podobna usposobljena oseba. 51) Svetlobni vir (samo LED), ki ga lahko zamenja končni uporabnik. 52) Svetlobni vir, ki ga lahko zamenja končni uporabnik. 53) Svetlobni vir (samo LED), ki ga lahko zamenja strokovnjak: Svetlobni vir LED v tem svetilu lahko zamenja le proizvajalec ali pooblaščen servisni zastopnik oziroma druga podobno usposobljena oseba. 54) Svetlobni vir, ki ga lahko zamenja strokovnjak: Svetlobni vir v tem svetilu lahko zamenja le proizvajalec ali pooblaščen servisni zastopnik oziroma druga podobno usposobljena oseba. 55) Nezamenljivi svetlobni vir: Svetlobnega vira tega svetila ni mogoče zamenjati; ko življenjska doba svetlobnega vira poteče, morate zamenjati celotno svetlobo. 56) Krmilna naprava, ki jo lahko zamenja končni uporabnik. 57) Krmilna naprava, ki jo lahko zamenja strokovnjak. 58) Nezamenljiva krmilna naprava. 59) Kontrolnika ne uporabljajte z mokrimi rokami in na mestih, ki so neposredno izpostavljeni vodi, oziroma na prostem. 60) Ne glejte v delujoči svetlobni vir.

**Uredba o označevanju z energijskimi nalepkami (EU) 2019/2015:** 61) Ta izdelek vsebuje svetlobni vir energijske učinkovitosti razreda A. 62) Ta izdelek vsebuje svetlobni vir energijske učinkovitosti razreda B. 63) Ta izdelek vsebuje svetlobni vir energijske učinkovitosti razreda C. 64) Ta izdelek vsebuje svetlobni vir energijske učinkovitosti razreda D. 65) Ta izdelek vsebuje svetlobni vir energijske učinkovitosti razreda E. 66) Ta izdelek vsebuje svetlobni vir energijske učinkovitosti razreda F. 67) Ta izdelek vsebuje svetlobni vir energijske učinkovitosti razreda G. Ta izdelek je zasnovan in razvit posebej za domačo uporabo le v običajnih pogojih in za običajno delovanje. Življenjska doba, navedena na embalaži, je povprečna življenjska doba (v skladu s standardoma L70B50 in IEC60969), določena na podlagi povprečno 3 ur delovanja na dan. Če imate kakršne koli težave pri uporabi izdelka, vam priporočamo, da najprej preberete uporabniški priročnik in informacije na našem spletnem mestu. V skladu s temi pogoji naše podjetje kot proizvajalec (Signify Netherlands B.V., International Business Reply Service I.B.R.S./C.C.R.I. Numéro 10461 5600 VB Eindhoven, Nizozemska) jamči, da bo izdelek dve (2) leti po datumu nakupa brez napak v materialu in izdelavi, razen če je v embalaži izdelka ali na njej navedeno drugačno obdobje, če se predpostavlja, da vzdrževanje izdelka poteka v skladu z navodili o negi in čiščenju, opisanimi v uporabniškem priročniku. Če zakonske določbe veljavne zakonodaje ne določajo drugače, so naše garancijske obveznosti po naši izbiri omejene na popravilo, zagotovitev drugega izdelka kot nadomestka za okvarjeni izdelek ali ponudbo ustreznega dobropisa za nakupno ceno okvarjenega izdelka. (De)montaža in/ali nameščanje oz. razstavljanje in stroški dela so izključeni iz garancije, tako kot tudi razbitost stekla, baterije in zamenjave sijalke. Naša pravna sredstva, povezana s to garancijo, ne podaljšajo ali obnovijo izvorno veljavnega garancijskega obdobja. Po lastni izbiri smo upravičeni do zamenjave okvarjenega izdelka pod garancijo z izdelkom, ki nekoliko odstopa po zasnovi in/ali tehničnih značilnostih, kar ne vpliva na delovanje izdelka. Da bi bili upravičeni do vložitve veljavnega odškodninskega zahteva v skladu s to garancijo, morate nam (ali našemu zastopniku) na zahtevo predložiti ustrezen račun o nakupu in okvarjen izdelek za analizo. V tem pravilniku so v največjem dovoljenem obsegu, kot ga dovoljuje veljavna zakonodaja, določene vse naše obveznosti, ki smo jih dolžni izpolnjevati kot proizvajalec, v povezavi z okvarjenimi ali neustreznimi izdelki. Ne prevzemamo odgovornosti za druge izgube oziroma posredno ali posledično škodo (kar med drugim vključuje izgubo podatkov ali dohodka) in vam ne bomo povrnili sredstev za dejavnosti, kot je redno vzdrževanje, shranjevanje ali obnavljanje podatkov. Ta prostovoljno predložena garancija proizvajalca nima vpliva na vaše zakonske pravice, ki izhajajo iz veljavne zakonodaje. Če svoj izdelek predložite servisu v drugi državi kot v državi, v kateri ste kupili izdelek, se bomo potrudili, da bo vaš izdelek servisiran v skladu z garancijskimi pogoji, ki veljajo v državi, v kateri ste kupili izdelek.

### Postopek namestitve

Podrobna navodila po korakih za namestitve so v priročniku za namestitve.

Odprite aplikacijo WIZ, da vzpostavite povezavo z izdelkom (podrobnejša navodila za uporabo aplikacije WIZ so v vodniku za hiter začetek).

### Garancija

Za jamstvo veljajo strogi pogoji uporabe. Več informacij je na našem spletnem mestu:

<https://www.wizconnected.com/en/consumer/support/>

### Specifikacija brezžičnega delovanja:

Frekvenčni pas brezžičnega RF-načina: 2400–2483,5 MHz

Največja oddajna moč:

Wi-Fi: največ 20 dBm

Bluetooth: največ 10 dBm

Izdelki niso za uporabo z zatezalniki. Za zatezateljev uporabite aplikacijo WIZ.

Možnost vklopa/izklopa je na voljo brez povezave Wi-Fi.

Družba Signify s tem jamči, da je radijska oprema vrste svetila WIZ skladna z Direktivo 2014/53/EU (RED). Celotno besedilo izjave EU o skladnosti je na voljo na tem spletnem naslovu: [wizconnected.com](http://wizconnected.com)

Wi-Fi® in logotip Wi-Fi CERTIFIED sta zaščiteni blagovni znamki združenja Wi-Fi Alliance.

Wi-Fi CERTIFIED™ in WPA2™, WPA3™ so blagovne znamke združenja Wi-Fi Alliance.

Beseda in logotip Bluetooth® sta zaščiteni blagovni znamki v lasti družbe Bluetooth SIG, Inc.

Amazon, Alexa in vsi povezani logotipi so blagovne znamke družbe Amazon.com, Inc ali njenih povezanih podjetij.

Google je blagovna znamka družbe Google LLC. Siri je zaščiten blagovna znamka družbe Apple Inc.

Vsakršna uporaba teh znakov s strani družbe Signify je licencirana.

Druge blagovne in trgovske znamke so last svojih lastnikov.

## HR - SIGURNOSNE UPUTE

Hvala vam na kupnji ovog proizvoda tvrtke WIZ, izrazito cijenimo vaš odabir robne marke WIZ i želimo vam mnogo zadovoljstva pri korištenju proizvoda. Priručnik B sadrži definicije svih potencijalno primjenjivih parametara i specifikacija s ikonama, u skladu s međunarodnim normama i sigurnosnim standardima. Međutim, možda se ne odnose sve na proizvod koji ste kupili – obratite pažnju i

Na ikone u dodatnom priručniku A koje se odnose specifično na vaš proizvod.

31) Preporučuje ispravnu upotrebu rasvjetnih tijela! Stoga se uvijek pridržavajte ovih uputa radi ispravne i sigurne montaže te funkcioniranja rasvjetnog tijela i sačuvajte ih za buduće potrebe. Prilikom odabira odgovarajuće spone za sigurnu montažu proizvoda obavezno se unaprijed posavjetujte sa stručnjakom. Uzmite u obzir težinu proizvoda i materijal površine za montažu. Ako niste sigurni, zatražite savjet od kvalificiranog/licenciranog električara ili se obratite proizvođaču. Proizvod obavezno montirajte u skladu s odgovarajućim propisima. Postoje propisi koji nalažu kako električne proizvode smiju montirati isključivo licencirani tehničari (npr. Part P za UK, AS/NZS3000 IN za AUSTRALIJU/NOVI ZELAND). Prije montaže, održavanja ili servisiranja obavezno isključite napajanje. Prilikom montaže pratite odgovarajuću boju žice: plava (N), smeđa (L) i, u slučaju zaštitne klase I, žuta/zelena (uzemljenje). Zidna svjetla montirajte izvan dohvata djece. Ako proizvod montirate na metalnu površinu, ta površina mora biti uzemljena ili povezana s ekvivalentnim provodnikom prilikom montaže. Obavezno čvrsto zategnite vijke na priključku, posebice nastavke niskonaponskog ožičenja (2V, ako je primjenjivo). Preporučujemo da vijke na priključku redovito provjeravate i prema potrebi zategnete. Ambalažne materijale (primjerice, najlonske vrećice) držite izvan dohvata djece. Unutrašnjost rasvjetnog tijela održavajte suhom krpom; nemojte koristiti abrazivna sredstva ili otapala. Pazite da tekućina ne dospije na električne dijelove. Odmah zamijenite napuako ili slomljeni proziri poklopac i koristite isključivo dijelove koje je odobrio proizvođač. Preporučujemo upotrebu žarulja vrste WIZ.

32) Informirajte se o lokalnom sustavu za odlaganje, odvajanje i prikupljanje električnih i elektroničkih proizvoda i ambalaža. Postupajte u skladu s lokalnim propisima i ne odlažite stare proizvode i ambalaže s uobičajenim kućanskim otpadom. Ispravno odlaganje ambalaže, proizvoda i/ili baterija pomoći će u sprječavanju mogućih negativnih posljedica za okoliš i zdravlje ljudi. Baterije je potrebno odlagati odvojeno od komunalnog otpada na za to predviđenim odlagalištima. Kada odlažete proizvod koji sadrži baterije koje korisnik ne može samostalno zamijeniti, te će baterije ukloniti stručnjak.

**PAŽNJA:** U nastavku možete pronaći sva objašnjenja s numeričkim referencama na odgovarajuće ikone ispred sljedećih sigurnosnih uputa: 01) Proizvod montirajte isključivo u zatvorenim prostorima. 02) Proizvod nemojte montirati u kupaonicama, pogotovo ne u istaknutoj zoni. 03) Proizvod nemojte montirati izravno na površine s normalnim svojstvima zapaljivosti. 04) Proizvod nemojte prekrivati toplinskim izolatorima. 05) Proizvod je namijenjen za montažu na strop. 06) Proizvod je namijenjen za montažu na zid. 07) Proizvod možete montirati na zid ili na strop. 08) Obavezno pazite na najmanju udaljenost između svjetiljke i predmeta kojemu osvjetljava (naznačena na ikoni). 09) IPX1: Proizvod ima zaštitu od vode koja kapa. IPX3: Proizvod može biti izložen kapljicama kiše (kapljice koje padaju pod kutom od najviše 60° u odnosu na vertikalnu os). IPX4: Proizvod je otporan na prskanje: može biti izložen prskanju vode iz svih kutova (360°). IPX5: Proizvod ima zaštitu od vodenih mlazova. IPX7: Proizvod možete montirati na tlo. IPX8: Proizvod ima zaštitu od uranjanja do naznačene dubine. - IPX5: Proizvod ima zaštitu od prašine. IP6X: Proizvod je otporan na prodiranje prašine. 10) Odmah zamijenite napuako ili slomljeno zaštitno staklo i obavezno koristite borosilikatne dijelove identičnih dimenzija, debljine najmanje 3 mm. 11) Klasa zaštite I: proizvod ili komponenta imaju priključak za uzemljenje. Kabel za uzemljenje (žuti/zeleni) morate priključiti u priključak označenom zvjezdicom klase zaštite I. 12) Klasa zaštite II: proizvod ili komponenta imaju dvostruku ili ojačanu izolaciju. 13) Klasa zaštite III: proizvod ili komponentu priključite isključivo na napajanje izuzetno niskog napona (< 50 V AC, < 120 V DC). 14) Ogolite žicu kao što to naznačuje ikona. 15) Kabel za uzemljenje mora biti duži od smeđe žice s fazom (L) i plave žice s nulom (N). 16) Neogoljene dijelove žice obavezno provucite kroz priželjeni put otporan na toplinu. 17) Proizvod je namijenjen isključivo za izravno spajanje na strujno napajanje. 18) - X-veza: U slučaju oštećenja žice, zamijenite je istovrsnom žicom. - Y-veza: U slučaju oštećenja žice, kako bi se izbjegle opasnosti, smije je zamijeniti samo proizvodač, distributer ili stručnjak. - Z-veza: Vanjski fleksibilni kabel ovog rasvjetnog tijela ne može se zamijeniti. U slučaju oštećenja kabela, rasvjetno tijelo više se ne može koristiti. 19) MAX...W: koristite isključivo one žarulje koje su pogodne za upotrebu s ovim proizvodom i u granicama specificirane najveće snage. 20) U proizvodu možete koristiti samo reflektorske žarulje. 21) U proizvodu možete koristiti samo CFL-i ili LED žarulje (npr. E4, E27, Gu10, Gx53...) 22) U proizvodu ne možete koristiti CFL-i ili LED žarulje (npr. E14, E27, Gu10, Gx53...) 23) Možete koristiti isključivo žarulje promjera 60 mm. U proizvodu ne možete koristiti žarulje promjera 45 24) žarulju u obliku kugle koristite jedino ako dimenzijama odgovara naznačenom promjeru. Nikako nemojte koristiti standardnu klasičnu žarulju. 25) U proizvodu možete koristiti samo žarulje oblike svijeće. 26) U proizvodu možete koristiti samo žarulje s ugrađenim sigurnosnim mehanizmom ili niskotlačne žarulje. Nije potrebno koristiti dodatno sigurnosno staklo. 27) Kapsule i linearne halogene žarulje ne smijete dodirivati golim rukama. 28) Proizvod je opremljen osiguračem. Ako proizvod nakon zamjene baterije ne radi, potrebno je zamijeniti interni osigurač. Ako postoji kontakt s internim ožičenjem, to mora napraviti kvalificirani električar. 29) Proizvod ima i mogućnost prigušivanja putem priloženog prigušivača ili putem (nije u kompletu) prigušivača koji možete spojiti na električnu instalaciju kod kuće. Reference potražite na web-mjestu WiZconnected.com. Prilikom odabira odgovarajućeg prigušivača, savjet zatražite od kvalificiranog električara. 30) Proizvod nema mogućnost prigušivanja. 31) Proizvod ima i mogućnost prigušivanja ISKLJUČIVO putem priloženog prigušivača. Nemojte priključivati dodatne prigušivače. 32) Značajke mogućnosti prigušivanja ovise o odabranoj žarulji. Dodatne informacije o mogućnostima prigušivanja dostupne su u informativnom paketu koji se isporučuje sa žaruljom. 33) Proizvod radi u kombinaciji sa sigurnosnim pretvaračem. Prilikom zamjene neispravnog pretvarača obavezno koristite pretvarač identičnih tehničkih specifikacija. Zatražite savjet od kvalificiranog električara ili se obratite proizvođaču. 34) Proizvod za zahtjeva okruženja. 35) Proizvod s opcijama za postavljanje vremena i svjetla. Ikona označava najmanje i najveće vrijednosti. 36) Proizvod možete montirati na visinu do najviše 6 m. 37) Kako biste osigurali pouzdan rad, proizvod montirajte na visinu koja je naznačena na ikoni. Naznačeni su i najveći i najmanji doseg detektora. 38) Standardan aktivni doseg vidljivosti detektora pokriva stupnjeve koji su naznačeni na ikoni. 39) Proizvod montirajte vodoravno. Kako biste joj osigurali dulji radni vijek, žarulju ne postavljajte poPazite da prilikom montaže ne bušite kroz električne kabele ili neke druge prepreke u zidu ili stropu!Ensure not to drill through electrical wires or any other obstruction in the wall or ceiling during installation! 41) Ako proizvod montirate na kutju na stropu ili zidu, obavezno najprije stavite poklopac na kutju (npr. Nizozemska). 42) Električni kabeli nikada se ne smiju priključiti ili saviti izvan proizvoda i površine za montažu! 43) Dijelovi proizvoda mogli bi se jako zagrijati tijekom rada. 44) Proizvod nije prikladan za djecu ispod Y godina. 45) Proizvod je namijenjen isključivo osobama starijima od Y godina. 46) Proizvod montirajte izvan dosega (X1: za djecu, X2: za odrasle). 47) Za postavljanje proizvoda potrebne su dvije osobe. 48) Da biste spriječili koroziju, svjetiljku čistite najmanje 2 puta godišnje mekom krpom i neutralnim deterdžentom. (4 puta u obalnim ili industrijskim područjima) 49) Proizvod možete montirati isključivo pomoću alata. 50) Oprez: Opasnost od strujnog udara! Izvor svjetla u ovom rasvjetnom tijelu smije zamijeniti isključivo proizvođač, servis proizvođača ili osoba sa sličnim kvalifikacijama. 51) Zamjenjivi (isključivo LED) izvor svjetlosti od strane krajnjeg korisnika. 52) Zamjenjivi izvor svjetlosti od strane krajnjeg korisnika. 53) Zamjenjivi (isključivo LED) izvor svjetlosti od strane proizvođača osobe: LED izvor svjetlosti u ovom rasvjetnom tijelu može



Zamjenjivi samo proizvođač ili njegov servisni predstavnik ili slična kvalificirana osoba. 54) Zamjenjivi izvor svjetlosti od strane profesionalne osobe: Izvor svjetlosti u ovom rasvjetnom tijelu može zamijeniti samo proizvođač ili njegov servisni predstavnik ili slična kvalificirana osoba. 55) Nezamjenjivi izvor svjetlosti: Izvor svjetla u ovom rasvjetnom tijelu nije moguće zamijeniti; kada izvor svjetla dosegne kraj vijeka trajanja, trebate zamijeniti cijelo rasvjetno tijelo. 56) Zamjenjivi upravljački uređaj od strane krajnjeg korisnika. 57) Zamjenjivi upravljački uređaj od strane profesionalne osobe. 58) Nezamjenjivi upravljački uređaj. 59) Upravljački uređaj nemote upotrebljavati ako imate mokre ruke i u područjima izravno izloženim vodi ili na otvorenom. 60) Ne gledajte u radni izvor svjetlosti.

**Uredba o označavanju energetske učinkovitosti (EU)2019/2015: 61)** Ovaj proizvod sadrži izvor svjetlosti energetske učinkovitosti klase A. 62) Ovaj proizvod sadrži izvor svjetlosti energetske učinkovitosti klase B. 63) Ovaj proizvod sadrži izvor svjetlosti energetske učinkovitosti klase C. 64) Ovaj proizvod sadrži izvor svjetlosti energetske učinkovitosti klase D. 65) Ovaj proizvod sadrži izvor svjetlosti energetske učinkovitosti klase E. 66) Ovaj proizvod sadrži izvor svjetlosti energetske učinkovitosti klase F. 67) Ovaj proizvod sadrži izvor svjetlosti energetske učinkovitosti klase G.

Ovaj je proizvod posebno razvijen i namijenjen kućnoj uporabi isključivo u normalnim uvjetima i pri normalnom radu. Na pakiranju je naveden tek prosječan vijek trajanja (u skladu sa standardima I70B50 i normama IEC60969) te se temelji na prosjeku od 3 radna sata po danu. Ako nađete na bilo kakve poteškoće pri uporabi proizvoda, preporučujemo da najprije pregledate korisnički priručnik, a zatim informacije na našem web-mjestu. U skladu s ovdje navedenim uvjetima i odredbama, naša tvrtka kao proizvođač (Signify Netherlands B.V., International Business Reply Service I.B.R.S. / C.C.R.I. Numéro 10461 5600 VB Eindhoven, The Netherlands) jamči da će proizvod u razdoblju od dvije (2) godine od dana kupnje biti bez neispravnosti u materijalima ili izradi, osim ako na ili u pakiranju proizvoda nije navedeno drugo razdoblje, ako se pretpostavlja da se održavanje proizvoda odvija u skladu s uputama za njegu i čišćenje opisanim u korisničkom priručniku. Osim ako zakonske odredbe važećeg zakona ne određuju drukčije, naše obveze u okviru jamstva bit će prema našem izboru ograničene na popravak, na isporuku zamjenskog dijela kao nadomjestka za neispravan proizvod ili ponudu odgovarajućeg kredita u visini kupovne cijene neispravnog proizvoda. Troškovi (de)montaže i/ili (de)instalacije i troškovi rada isključeni su iz jamstva, što vrijedi i za slomljeno staklo, baterije i zamjenjive žarulje. Naša pravna sredstva u okviru jamstva neće produžiti ili obnoviti izvorno važeće jamstveno razdoblje. Prema vlastitom izboru, imamo pravo neispravan proizvod pokriven jamstvom zamijeniti proizvodom koji ima manja odstupanja u dizajnu i/ili specifikacijama koje ne utječu na funkcionalnost proizvoda. Kako biste stekli pravo na ulaganje valjanog oštetnog zahtjeva u okviru ovog jamstva, morate nam (ili našem zastupniku) na zahtjev predočiti odgovarajući račun za kupnju i neispravni proizvod za analizu. U ovim pravilima su u najvećem opsegu koji dopušta važeći zakon, utvrđene sve naše odgovornosti koje smo dužni izvršavati kao proizvođač, u vezi s neispravnim ili neusklađenim proizvodima. Nećemo biti odgovorni za ostale gubitke te neizravne ili posljedične štete (uključujući između ostalog gubitak podataka ili gubitak prihoda), niti ćemo vam vratiti sredstva za aktivnosti kao što je redovno održavanje, spremanje ili obnavljanje podataka. Ovo dobrovoljno ponudeno proizvođačevo jamstvo nema utjecaja na vaša zakonska prava koja proizlaze iz važećeg zakonodavstva. Ako proizvod date na servis u državi koja nije država kupnje proizvoda, pokušat ćemo vaš proizvod servisirati u skladu s uvjetima jamstva koji vrijede u državi u kojoj ste kupili proizvod.

### Koraci instalacije

Pojedinih potražite u priručniku za instalaciju.

Za povezivanje proizvoda pokrenite aplikaciju WiZ (Pogledajte Vodič za brzi početak za detaljnije funkcioniranje aplikacije WiZ).

### Jamstvo

Jamstvo podliježe strogim uvjetima korištenja, a za više informacija posjetite naše web mjesto:

<https://www.wizconnected.com/en/consumer/support/>

### Specifikacija bežične mreže:

Frekvencijski opseg bežičnog RF načina rada: 2400 - 2483,5 MHz

Maksimalna prenesena snaga:

Wi-Fi: maks. 20 dBm

Bluetooth: maks. 10 dBm

Proizvod se ne smiju koristiti s prigušivačima, za prigušivanje koristite aplikaciju WiZ.

Funkcija uključivanja/isključivanja bez povezivanja na Wi-Fi.

Ovime tvrtka Signify izjavljuje da je radijska oprema svjetiljke WiZ u skladu s Direktivom 2014/53/EU(RED), Kompletan tekst EU izjave o sukladnosti dostupan je na sljedećoj internetskoj adresi: [wizconnected.com](http://wizconnected.com)

Logotipovi Wi-Fi® i Wi-Fi CERTIFIED su registrirani zaštitni znakovi tvrtke Wi-Fi Alliance.

Logotipovi Wi-Fi CERTIFIED™ i WPA2™, WPA3™ su zaštitni znakovi tvrtke Wi-Fi Alliance.

Riječ i logotipi Bluetooth® registrirani su zaštitni znakovi u vlasništvu tvrtke Bluetooth SIG, INC.

Amazon, Alexa i svi povezani logotipi zaštitni su znaci tvrtke Amazon.com, Inc ili njenih podružnica.

Google je zaštitni znak tvrtke Google LLC, Siri je registrirani zaštitni znak tvrtke Apple Inc.

Svako korištenje takvih oznaka od strane tvrtke Signify je pod licencom.

Ostali zaštitni znakovi i trgovački nazivi vlasništvo su njima odgovarajućih vlasnika.

## MIK - BEZBEDNOSNI UPITAVTA

Vi благодариме за Вашiot izbor да го купите овој производ од WiZ, го цениме Вашiot izbor за брендот WiZ и Ви посакуваме пријатни моменти при користење на нашиот производ. Ова упатство В содржи дефиниции за сите потенцијално применливи параметри и спецификации со икони, согласно Меѓународните норми и безбедносни стандарди. Сепак, не сите од нив важат за производот што сте го купиле. Погледнете ги иконите во Упатството А за оние што важат конкретно за овој производ. Производителот советува соодветно користење на прицврстувачите за осветлувањето! Затоа секогаш следете ги овие

упатства за да осигурите соодветно и безбедно инсталирање и функционирање на прицврстувачите и чувајте ги за користење во иднина. Секогаш консултирајте се со стручно лице пред да ја изберете правата завртка за безбедно монтирање на производот. Земете ги предвид тежината на производот и материјалот на површината на којшто се монтира. Ако не сте сигурни, консултирајте се со квалификуван или лиценциран електричар или контактирајте со вашата продавница. Уверете се дека производот секогаш ќе се инсталира согласно важечките прописи. Според одредени прописи, електричните производи мора да ги инсталира само лиценциран електричар (на пр., делот P за Обединетото Кралство, AS/NZS3000 IN за АВСТРАЛИЈА/НОВ БЕЛАНД). Секогаш исклучувајте го напојувањето пред инсталирање, одржување или поправка. Придржувајте се до точната боја на жиците пред инсталирањето: сина (N), кафеава (L) и ако се работи за заштита од класа I, жолта/зелена (заземнување).

Монтирајте ги ѕидните светла подалку од дофат на децата. Ако производот се монтира на метална површина, оваа површина мора да се поврзе со заштитен приземжен спроводник или со еквипотенцијален спроводник на инсталацијата. Секогаш цврсто затегнувајте ги шрафовите на терминалите, особено прикачувањата за жици со низок напон (12 V) (ако е применливо). Особено се препорачува редовна проверка и повторно затегнување на шрафовите на терминалите со тек на време. Држете ги амбалажните материјали подалку од дофат на децата. (на пр., пластични шишина...). Одржувајте го внатрешното осветлување со сува крпа за прашина, не користете абразивни средства или растровувачи. Избегнувајте течности на сите електрични делови. Веднаш раменете го напукнатиот или искршен провиден капак и користете само делови што се одобрени од производителот. Се препорачува да се користат само сјијалици на WiZ.

Информирајте се за локалниот систем за фрлање, одделување и собирање отпад од електрични и електронски производи и лакувања. Постапувајте во согласност со вашите локални прописи и немојте да ги фрлат стариот производ и пакувањето во обичниот отпад од домаќинството. Правилното фрлање на пакувањето, производот и/ли батериите ќе помогне да се спречат потенцијалните негативни последици за животната средина и човечкото здравје. Батериите треба да се флаат одделно од обичниот систем за отпад преку назначени собирни објекти. Кога флаате некој производ што содржи батерији што не може да се заменат, тие ќе се отстрануваат од страна на стручно лице.

**ВНИМАНИЕ:** Во продолжение ќе ги најдете сите објаснувања со нумеричко упатување на односните икони пред секоје од упатствата за безбедност: 01) Производот треба да се инсталира само во затворени простории. 02) Производот не е соодветен за инсталирање во бањи, а особено не во наведената зона. 03) Производот не е соодветен за директно монтирање на нормално запаливи површини. 04) Производот не е соодветен за покривање со материјал за термичка изолација. 05) Производот е соодветен само за монтирање на таванот. 06) Производот е соодветен само за монтирање на ѕидот. 07) Производот е соодветен за монтирање на ѕидот или таванот. 08) Секогаш земете го предвид максималното растојание, како што е означено со иконата, помеѓу сјијалицата и осветелниот предмет. 09) IPX1: производот е заштитен од капки вода. IPX3: производот може да се изложи на капки дожд (капки што паѓаат под максимален агол од 60° во однос на вертикалната оската). IPX4: производот е отпорен на прскање: може да се изложи на вода што прска од која било насока (360°). IPX5: производот е заштитен од млазови вода. IPX7: производот може да се инсталира во ремијата. IPX8: производот е заштитен од потопување до назначената длабочина. - IPX5: производот е заштитен од прашина. IP6X: производот е целосно заштитен од прашина. 10) Веднаш заменете го напукнатиот или искршениот безбедно стакло и користете само боросиликатни делови со истите димензии, со максимална дебелина од 3 мм. 11) Класа на заштита I: производот или компонентата има поврзување со заземнување. Заземната жица (жолта/зелена) мора да се поврзе со терминалот означен со логото класа I. 12) Класа на заштита II: производот или компонентата има двојна или засилена изолација. 13) Класа на заштита III: производот или компонентата е соодветна само за безбедносна екстра слаб напон (<50 V наизменична; <120 V еднонасочна).

14) Соголеите да жицата како што е назначено на иконата. 15) Жицата за заземнување мора да биде подолга од кафеавата жица (L) и сината нула (N). 16) Задолжително мора да се користи топлински отпорната изолација што е доставена преку несоглените делови на жицата. 17) Производот е соодветен само за директно поврзување со главното електрично напојување. 18) X-поврзување: Во случај на оштетување на жицата, мора да се замени со жица од ист вид. - Y-поврзување: Во случај на оштетување на жицата, мора да ја замени само производителот, дистрибутерот или експерт, за да се избегнат ризици. - Z-поврзување: Жицата не може да се замени. 19) MAX ...W: користете само сјијалици што се соодветни за овој производ и што се во опсегот на назначената максимална ватата. 20) Производот е соодветен само за рефлекторни сјијалици. 21) Производот е соодветен само за сјијалици CFL-I или LED (на пр., E14, E27, GU10, Gx53...) 22) Производот не е соодветен за сјијалици CFL-II - или LED (на пр., E14, E27, GU10, Gx53...) 23) Може да се користи само сјијалица со дијаметар од 60 мм. Не смее да се користи сјијалица со дијаметар од 45 мм за производов. 24) Користете само сјијалица со големина иста како назначениот дијаметар. Никогаш не користете стандардна инкадесцентна сјијалица.

25) Производот е соодветен само за сјијалици со облик на свеќа. 26) Производот е соодветен само за сјијалица со вградена безбедност или сјијалица со низок притисок. Не е потребно дополнително безбедносно стакло. 27) Капсулите и линзарите халогенски сјијалици не смее да се допираат со голи раце. 28) Производот е опремен со осигурувач. Ако по замена на сјијалицата производот не работи, треба да се замени внатрешниот осигурувач. Ова мора да го изврши квалификуван електричар ако постои контакт со внатрешната електрична инсталација. 29) Производот може да се придрушува со доставениот потенциометар или со (не е вклучен) потенциометар поврзан на електричната инсталација во домот. За референци, посетете ја „[Wizconnected.com](http://Wizconnected.com)“. Консултирајте се со квалификуван електричар за избор на соодветниот тип потенциометар. 30) Производот не се придружува. 31) Производот се придрушува САМО со доставениот потенциометар. Не поврзувајте со дополнителен потенциометар. 32) Функциите за затемување зависат од избраната сјијалица. Повеќе информации за функциите за затемување се достапни во пакетот за информации безбеден со сјијалицата. 33) Производот работи со безбедносни трансформатор. Заменете го дефектниот трансформатор само со трансформатор со идентични технички спецификации. Консултирајте се со квалификуван електричар или со вашата продавница.

34) Производ за услуга во тешки услови. 35) Производ со опции за поставување време и светлина. Минимумот и максимумот се назначени на иконата. 36) Производот може да се монтира на максимална висина од 6 м. 37) За издржана работа, мора да го монтираат производот на одредената висина назначена на иконата. Назначени се и максималниот и минималниот досег на детекторот. 38) Стандардниот активен опсег на видливост на детекторот ги покрива дадените степени назначени на иконата. 39) Производот треба да се монтира хоризонтално. За поголема трајност, сјијалицата не треба да биде под агол поголем од 4 степени. 40) Бидете внимателни да не дупчите низ електрични жици или други пречки во ѕидот или таванот за време на инсталацијата! 41) Ако производот се монтира во таванска или ѕидна кутија, кутијата прво мора да се покрие со капац. (пр. ... 40

Холандија), 42) Електричните жици никогаш не треба да бидат приклучети или извиткани помеѓу производот и површината за монтирање! 43) Делови од производот може да се загреваат. 44) Овој производ не е соодветен за деца помлади од У години. 45) Производот е соодветен само за лица постари од У години. 46) Монтирајте го производот надвор од дозег (X1: за деца, X2: за возрасни). 47) Производот треба да го монтираат две лица. 48) За да спречите корозија, исчистете ја ламбата најмалку 2 пати годишно со мекка крпа и неутрален детергент. (4 пати во крајбрежни или индустриски области) 49) Производот може да се постави во време на инсталацијата само со помош на алат. 50) Предупредување: Ризик од електричен шок! Изворот на светлина содржан во ова светлечко тело треба да го замени само производителот или негов сервисер или слично квалификувано лице. 51) Извор на светлина што се заменува од страна на крајниот корисник (само LED). 52) Извор на светлина што се заменува од страна на крајниот корисник. 53) Извор на светлина што се заменува од страна на професионалец (само LED): LED изворот на светлина содржан во ова светлечко тело треба да го заменува само производителот или негов сервисер или слично квалификувано лице. 54) Извор на светлина што се заменува од страна на професионалец: Изворот на светлина содржан во ова светлечко тело треба да го заменува само производителот или негов сервисер или слично квалификувано лице. 55) Извор на светлина што не се заменува: Изворот на светлина на ова светлечко тело не може да се замени, кога изворот на светлина ќе го помине својот животен век се заменува Целото светлечко тело. 56) Контролна опрема што се заменува од страна на крајниот корисник. 57) Контролна опрема што се заменува од страна на професионалец. 58) Контролна опрема што не се заменува. 59) Не користете го уредот за контрола со влажни раце, во области директно изложени вода или надвор. 60) Не гледајте во вклучениот извор на светлина.

**Регулатива за енергетско означување (ЕУ)2019/2015: 61)** Овој производ содржи извор на светлина со класа за енергетска ефикасност А. 62) Овој производ содржи извор на светлина со класа за енергетска ефикасност В. 63) Овој производ содржи извор на светлина со класа за енергетска ефикасност С. 64) Овој производ содржи извор на светлина со класа за енергетска ефикасност D. 65) Овој производ содржи извор на светлина со класа за енергетска ефикасност Е. 66) Овој производ содржи извор на светлина со класа за енергетска ефикасност F. 67) Овој производ содржи извор на светлина со класа за енергетска ефикасност G. Овој производ е специјално дизајниран и развиен само за домашна употреба во вообичаени услови и при вообичаено ракување. Животниот циклус наведен на пакувањето е даден само како просечна вредност (во согласност со стандардите L70B50 и нормите IEC60969) и се заснова на просечно горење на светилката од 3 часа дневно. Доколку се соочите со какви било потешкотии при користењето на производот, Ви препорачуваме најпрво да го разгледате упатството за користење и информациите на нашата веб-страница. Под условите утврдени овде, не како производител (Signify Netherlands B.V., International Business Reply Service I.B.R.S. / C.S.C.R.I. Numéro 10461 5600 VB Eindhoven (Ајндховен), The Netherlands (Холандија)) гарантираме дека производот нема недостатоци во материјалите и во функционирањето за период од две (2) години по датумот на купување на истиот, освен ако не е наведен различен период на пакувањето на производот и доколку истиот се одржува во согласност со насоките за грижа и чистење наведени во упатството за користење. Освен ако со применливите закони поинаку не е утврдено, нашите обврски под гаранцијата ќе бидат ограничени, по наше наоѓање, на тоа или да извршиме поправка, или да дадеме замемски производ за дефектниот производ или да понудиме соодветен кредит за продажната цена на дефектниот производ. (Де)монтажата и/или (де)инсталацијата и трошоците за работна рака не се покриени со гаранцијата, како и скршено стакло, батерии и заменливи сијалици. Освен ако со применливите закони поинаку не е утврдено, со исполнувањето на нашите обврски под гаранцијата не се продолжува или обновува привичниот гарантен период кој веќе се применува. Ние го задржуваме правото, по наше наоѓање, да го замениме дефектниот производ опфатен со гаранцијата, со производ кој незначително отстапува во дизајнот и/или спецификациите кои не влијаат на функционалноста на производот. За да можете валидно да поставите барање по оваа гаранција, морате да ни доставите нам (или на наш застапник), на барање, соодветна сметка за извршеното купување и дефектниот производ заради анализа. До најголемата мера што ја дозволуваат применливите закони, оваа политика ја утврдува нашата целосна одговорност како производител, а во врска со дефектни или несообразни производи. Ние нема да бидеме одговорни пред Вас за други загуби или индиректни договори или вондоговорни штети (вклучително, но не и ограничено на, загуба на податоци или загуба на приходи), ниту сме должни да Ви извршиме надомест за дејства како што се редовно одржување, зачувување или повраток на податоци. Вашите законски права кои произлегуваат од применливите закони не се засенети од оваа доброволна гаранција на производителот. Доколку го донесете Вашиот производ на сервис во земја која не е земјата каде сте го купиле производот, ќе се обидеме да го сервисираме Вашиот производ во согласност со условите од гаранцијата за земјата каде што сте го купиле производот.

#### **Чекори за монтирање**

Погледнете во упатството за монтирање за деталните чекори.

Пуштете ја апликацијата WIZ за да го поврзете производот (Погледнете во упатството за брзо стартување за повеќе детали околу работата на апликацијата WIZ).

#### **Гаранција**

Гаранцијата е подложна на строги услови на користење, за повеќе информации, посетете ја нашата веб-страница: <https://www.wizconnected.com/en/consumer/support/>

#### **Спецификации за безжичниот тип:**

Безжичен режим PФ со опсег на фреквенција: 2.400 – 2.483,5 MHz

Максимална пренесена моќност:

Wi-Fi: макс. 20 dBm

Bluetooth: макс. 10 dBm

Производот не треба да се користи со потенциометри, наместо тоа користете ја апликацијата WIZ.

Функционалноста за вклучување/исклучување е достапна без поврзување на Wi-Fi.

Со ова, Signify изјавува дека радио-опремата од типот WIZ светлечки тела е во согласност со Директивата 2014/53/EY(RED).

Целосниот текст на декларацијата на ЕУ за сообразност е достапен на следната интернет-адреса: [wizconnected.com](http://wizconnected.com)

Wi-Fi®, логото Wi-Fi CERTIFIED се регистрирани трговски марки на Wi-Fi Alliance.

Wi-Fi CERTIFIED™, WPA2™, WPA3™ се трговски марки на Wi-Fi Alliance.

®борот и логото Bluetooth® се регистрирани трговски марки во сопственост на Bluetooth SIG, INC.

Amazon, Alexa ili site nivični logoa se trgovske marki na Amazon.com, Inc ili na njegovite sarobotnici.

Google e trgovska marka na Google LLC. Siri e registrirana trgovska marka na Apple Inc.

Секое користење на таквите марки од страна на Signify e лиценцирано.

Другите трговски марки и трговски имиња се сполштвеност на нивните соодветни сопственици.

## SR - SIGURNOSNE UPUTE

Hvala vam na kupovini ovog proizvoda kompanije WIZ. Zahvalni smo vam što ste se opredelili za brend WIZ i želimo vam prijatno iskustvo pri korišćenju proizvoda. Ovaj priručnik B sadrži definicije svih potencijalno primenljivih parametara i specifikacija za ikonama, u skladu sa međunarodnim normama i bezbednosnim standardima. Međutim, na proizvod koji ste kupili neće biti primenljivo sve – pogledajte ikone u dodatnom priručniku A da biste saznali šta se konkretno odnosi na ovaj proizvod.

Proizvođač preporučuje pravilnu upotrebu rasvetnih tela! S toga se uvek pridržavajte ovih instrukcija radi pravilne i bezbedne montaže, kao i funkcionisanja rasvetnih tela, i sačuvajte ih za buduću upotrebu. Prilikom izbora odgovarajućeg pričvršćivača za bezbedno montiranje proizvoda uvek se unapred konsultujte sa stručnjakom. Vodite računa o težini proizvoda i materijalu površine za montiranje. Ako niste sigurni, konsultujte se sa kvalifikovanim ili licenciranim električarom ili se obratite prodavcu. Uvek proverite da li je proizvod instaliran u skladu sa relevantnim propisima. Određeni propisi zahtevaju da instalacija električnih uređaja isključivo obavlja licencirani električar (npr. Deo P za Ujedinjeno Kraljevstvo, AS/NZS3000 IN za Australiju/Novi Zeland). Uvek isključite napajanje pre instalacije, održavanja ili popravke. Obratite pažnju na boju žica pre instalacije: plava (N), braon (L) i ako je zaštitni razred II, žuta/zelena (uzemljenje). Židna rasvetna tela montirajte van domašaja dece. Ako se proizvod montira na metalnu površinu, ta površina mora biti povezana sa zaštitnim uzemljenjem ili sa provodnikom instalacije konstantnog potencijala. Uvek čvrsto pritegnite zavrtne na priključku, a naročito dodatke za ožičenje niskog napona (12 V) (ako je primenljivo). Izričito se preporučuje da redovno proveravate zavrtne na priključku i da ih dotežete po potrebi. Materijale za pakovanje (na primer, plastične kese itd.) držite van domašaja dece. Unutrašnje osvetljenje održavajte pomoću sakupljača prašine od suve tkanine, nemojte da koristite abrazivna sredstva ni razređivače. Izbegavajte hanošenje tečnosti na električne delove. Odmah zamenite naprsli ili slomljeni prozirni poklopac i isključivo koristite delove koje je odobrio proizvođač. Savetujte se da koristite isključivo „WIZ“ sijalice.

Informišete se o lokalnom sistemu za odlaganje, odvajanje i sakupljanje otpada za električne i elektronske proizvode i ambalažu. Postupajte u skladu sa lokalnim pravilima i ne odlažite svoj stari proizvod i ambalažu sa uobičajenim kućnim otpadom. Pravilno odlaganje ambalaže, proizvoda i/ili baterija će pomoći u sprečavanju potencijalnih negativnih posledica po životnu sredinu i zdravlje ljudi. Baterije treba odlagati odvojeno od toka komunalnog otpada putem određenih objekata za prikupljanje. Kada odlažete proizvod koji sadrži baterije koje ne može zameniti korisnik, te baterije će ukloniti profesionalac.

**PAŽNJA:** U nastavku se nalaze objašnjenja sa numeričkim referencama na ikone, redosledom kojim su prikazane na početku svih bezbednosnih uputstava: 01) Ovaj proizvod bi trebalo montirati samo u zatvorenom prostoru. 02) Ovaj proizvod nije pogodan za montiranje na kupatilima, a naročito ne u navedenoj zoni. 03) Ovaj proizvod nije pogodan za direktno montiranje na uobičajeno zapaljive površine. 04) Ovaj proizvod nije pogodan za pokrivanje termoozloženim materijalom. 05) Ovaj proizvod je pogodan isključivo za montiranje na plafon. 06) Ovaj proizvod je pogodan isključivo za montiranje na zid. 07) Ovaj proizvod je pogodan za montiranje na zid ili na plafon. 08) Uvek uzmete u obzir najmanju razdaljinu, kao što je navedeno na ikoni, između lampe i osvetljenog predmeta. 09) IPX1: Ovaj proizvod je zaštićen od kapljanja vode. IPX3: Ovaj proizvod može da se izloži kapljicama kiše (kapi koje padaju pod maksimalnim uglom od 60° po vertikalnoj osi). IPX4: Ovaj proizvod je otporan na prskanje: može da bude izložen prskanju vode iz svih pravaca (360°). IPX5: Ovaj proizvod je zaštićen od vode u mlazevima. IPX7: Ovaj proizvod može da se postavi u zemlju. IPX8: Ovaj proizvod omogućava potapanje do navedene dubine. - IPX5: Ovaj proizvod je zaštićen od prašine. IPX6: Ovaj proizvod je hermetički zaštićen od prašine. 10) Odmah zamenite naprsli ili slomljeno bezbednosno staklo i koristite isključivo brosilokalne delove istih dimenzija, uz minimalnu debljinu od 3 mm. 11) Zaštitni razred I: Proizvod ili komponenta ima priključak za uzemljenje. Žica za uzemljenje (žuta/zelena) mora da bude povezana na priključak označen sa zaštitni razred II. 12) Zaštitni razred III: Proizvod ili komponenta se isporučuje sa dvostrukom ili ojačanom izolacijom. 13) Zaštitni razred III: Proizvod ili komponenta pogodna je isključivo za napajanje bezbednim, izuzetno niskim naponom (<50 V AC; <120 V DC). 14) Ogotite žicu kao što je prikazano na ikoni. 15) Žica za uzemljenje uvek mora da bude duža od braon žice pod naponom (L) i plave neutralne (N) žice. 16) Termootporne navlake koje se dobijaju sa proizvodom treba navući na izolovani deo žice. 17) Ovaj proizvod je pogodan isključivo za direktno povezivanje na električnu mrežu. 18) X-Ze: U slučaju oštećenja žice neophodna je zamena istim tipom žice. - Y-veza: U slučaju oštećenja žice zamenu mora da obavi isključivo proizvođač, distributer ili stručnjak kako bi se izbegao rizik. - Z-veza: Nije moguće zameniti spoljni fleksibilni kabl ovog rasvetnog tela. U slučaju oštećenja kabla više neće biti moguće koristiti rasvetno telo. 19) MAX. ...W: Koristite isključivo sijalice koje su pogodne za ovaj proizvod i nemojte da prekoračujete maksimalnu navedenu snagu. 20) Ovaj proizvod je kompatibilan samo sa reflektorskim sijalicama. 21) Ovaj proizvod je kompatibilan samo sa CFL-ii ili LED sijalicama (npr. E14, E27, Gu10, Gx53 itd.). 22) Ovaj proizvod nije kompatibilan sa CFL-ii ili LED sijalicama (npr. E14, E27, Gu10, Gx53 itd.) 23) Može da se koristi isključivo sijalica prečnika 60 mm. Za ovaj proizvod ne sme da se koristi sijalica prečnika 45 mm. 24) Koristite isključivo okruglu sijalicu čiji prečnik odgovara navedenom. Nikada nemojte da koristite standardnu sijalicu sa vlaknom. 25) Ovaj proizvod je kompatibilan samo sa sijalicama „minjonkama“. 26) Ovaj proizvod je kompatibilan samo sa sijalicama sa ugrađenom zaštitom ili sa sijalicama sa niskim pritiskom. Nije potrebno dodatno bezbednosno staklo. 27) Kapsulne i linearne halogene sijalice ne smeju da se dodiruju golim rukama. 28) Ovaj proizvod je opremljen osiguračem. Ako proizvod ne funkcioniše nakon zamene sijalice, neophodno je zameniti unutrašnjim osigurač. To mora da obavi kvalifikovani električar ako postoji mogućnost dolaska u dodir sa unutrašnjim ožičenjem. 29) Ovaj proizvod omogućava prigušivanje svetla pomoću priloznog potencijometra ili pomoću potencijometra (ne isporučuje se u kompletu) koji je povezan na električnu instalaciju u domu. Referentne informacije potražite na „WizConnected.com“. Konsultujte se sa kvalifikovanim električarom prilikom izbora odgovarajućeg tipa potencijometra za prigušivanje. 30) Ovaj proizvod ne omogućava prigušivanje. 31) Ovaj proizvod omogućava prigušivanje ISKLJUČIVO pomoću priloznog potencijometra. Nemojte da ga povežete na dodatni potencijometar za prigušivanje. 32) Funkcije prigušivanja svetlosti zavise od izabrane sijalice. Više informacija o funkcijama prigušivanja svetlosti možete pronaći u brošuri koju ste dobili uz sijalicu. 33) Ovaj proizvod funkcioniše sa bezbednosnim transformatorom. Pokvareni transformator zamenite isključivo transformatorom

identičnih tehničkih specifikacija. Obratite se kvalifikovanom električaru ili prodavaču. 34) Proizvod je za intenzivnu upotrebu. 35) Proizvod sa opcijama za podešavanje vremena i svetla. Minimum i maksimum su navedeni na ikoni. 36) Ovaj proizvod može da se montira na visini od najviše 6 m. 37) Da biste ostvarili pouzdano funkcionisanje, proizvod morate da montirate na odgovarajućoj visini, kao što je navedeno na ikoni. Takođe su navedeni maksimalni i minimalni doseg detektora. 38) Standardni aktivni opseg pokrivanja detektora naveden je pomoću oznaka u stepenima na ikoni. 39) Ovaj proizvod bi trebalo montirati horizontalno. Ako želite da proizđite radni vek, sijalica ne bi trebalo da bude pod uglom većim od 4 stepena. 40) Pazite kako prilikom instalacije ne biste bušenjem oštetili električnu instalaciju ili druge prepreke u zidu ili plafonu! 41) U slučaju montaže proizvoda na kutiju na plafonu ili na zidu, obavezno prvo pokrijte kutiju poklopcem. (npr. u Holandiji) 42) Ni u kom slučaju ne sme da dođe do prikešćenja niti uvijanja električnih kablova između proizvoda i površine za montažu! 43) Delovi ovog proizvoda mogu da postanu vrući. 44) Ovaj proizvod nije pogodan za decu mlađu od Y godina. 45) Ovaj proizvod mogu da koriste samo osobe starije od Y godina. 46) Proizvod montirajte izvan doseg ruke (X1: za decu, X2: za odrasle). 47) Za postavljanje proizvoda su potrebne i dve osobe. 48) Da biste sprečili koroziju, lampu čistite najmađe 2 puta godišnje mekom krpom i neutralnim deterdijentom. (4 puta u primorskim ili industrijskim oblastima) 49) Ovaj proizvod je moguće podesiti isključivo prilikom instalacije pomoću alata. 50) Opaz: Opasnost od strujnog udara! Izvor svetlosti sadržan u ovom svetiljke biće zamenjen samo od strane proizđavoda ili njegovog servisa agenta ili sličnog kvalifikovane osobe. 51) Izvor svetlosti (samo LED) koji može da menja krajnji korisnik. 52) Izvor svetlosti koji može da menja krajnji korisnik. 53) Izvor svetlosti (samo LED) koji treba da menja stručno lice: Izvor LED svetlosti sadržan u ovoj svetiljci treba da menja samo proizđavoda ili njegov serviser ili slična kvalifikovana osoba. 54) Izvor svetlosti koji treba da menja stručno lice: Izvor svetlosti sadržan u ovoj svetiljci treba da menja samo proizđavoda ili njegov serviser ili slična kvalifikovana osoba. 55) Izvor svetlosti koji ne mogu da se menjaju: Izvor svetla u ovom rasvetnom telu ne može da se zameni; kada izvor svetla dođe do kraja radnog veka, trebalo bi zameniti celo rasvetno telo. 56) Kontrolna oprema koju može da menja krajnji korisnik. 57) Kontrolna oprema koju treba da menja stručno lice. 58) Kontrolna oprema koja ne može da se menja. 59) Nemojte koristiti kontrolni uređaj dok su vam oboje šake, u oblastima koje su direktno izložene dejstvu voda ili napolju. 60) Nemojte dugo da gledate u izvor radnog svetla.

**Uredba o energetskom označavanju (EU)2019/2015:** 61) Ovaj proizvod sadrži izvor svetlosti klase energetske efikasnosti A. 62) Ovaj proizvod sadrži izvor svetlosti klase energetske efikasnosti B. 63) Ovaj proizvod sadrži izvor svetlosti klase energetske efikasnosti C. 64) Ovaj proizvod sadrži izvor svetlosti klase energetske efikasnosti D. 65) Ovaj proizvod sadrži izvor svetlosti klase energetske efikasnosti E. 66) Ovaj proizvod sadrži izvor svetlosti klase energetske efikasnosti F. 67) Ovaj proizvod sadrži izvor svetlosti klase energetske efikasnosti G.

Ovaj proizvod je posebno dizajniran i namenjen za kućnu upotrebu isključivo u normalnim uslovima i pri normalnom radu. Na pakovanju je naveden samo prosečan vek trajanja (u skladu sa standardima L70B50 i normama IEC60969) i zasniva se na proseku od 3 radna sata po danu. Ako naidete na bilo kakve poteškoće pri upotrebi proizvoda, preporučujemo da najpre pregledate korisnički priručnik, a zatim informacije na našoj veb lokaciji. U skladu sa navedenim uslovima i odredbama, naša kompanija kao proizđavoda (Signify Netherlands B.V., International Business Reply Service I.B.R.S. / C.C.R.I. Numéro 10461 5600 VB Eindhoven, The Netherlands) garantuje da će proizvod u periodu od dve (2) godine od dana kupovine biti bez neispravnosti u materijalima i izradi, osim ako na ili u pakovanju proizđavoda nije naveden drugi period, ukoliko se proizvod održava u skladu sa uputstvima za negu i čišćenje opisanim u korisničkom priručniku. Osim ako zakonske odredbe važećeg zakona ne propisuju drugačije, naše obaveze u okviru garancije biće prema našem izboru ograničene na popravke, isporuku dela za zmenu neispravnog proizvoda ili ponudu odgovarajućeg kredita u visini kupovne cene neispravnog proizvoda. Troškovi (de)montaže i/ili (de)instalacije i troškovi rada su isključeni iz garancije, što važi i za slomljeno staklo, baterije i zamenljive sijalice. Naši pravni lekovi u okviru garancije neće proizđiti ni obnoviti prvobitno važeći garantni period. Prema sopstvenom izboru, imamo prava da neispravan proizvod pokriven garancijom zamenimo proizvodom sa manjim odstupanjima u dizajnu i/ili specifikacijama koja ne utiču na funkcionalnost proizvoda. Da biste stekli pravo na ulaganje važećeg zahteva za odštetu u okviru ove garancije, morate nama (ili našem predstavniku) na zahtev pokazati odgovarajući račun za kupovinu i neispravan proizvod za analizu. U ovim smernicama je u ovoj meri u kojoj to dozvoljava nadležno pravo, utvrđena naša ukupna odgovornost kao proizđavoda, u vezi sa neispravnim ili neusaglašenim proizvodima. Nećemo biti odgovorni za ostale gubitke, odnosno indirektno ili posledične štete (uključujući, između ostalog, gubitak podataka ili gubitak prihoda), niti ćemo vam dati nadoknadu za aktivnosti kao što je redovno održavanje, čuvanje ili vraćanje podataka. Ova dobrovoljno ponudena garancija proizđavoda nema uticaja na vaša zakonska prava koja proizlaze iz važećeg zakona. Ako proizvod date na servis u zemlji u kojoj nije kupljen, pokušaćemo da servisiramo vaš proizvod u skladu sa uslovima garancije koji važe u zemlji u kojoj ste ga kupili.

### Koraci za instalaciju

Za detaljne korake pogledajte uputstvo za instalaciju.

Pokrenite WIZ aplikaciju da biste povezali proizvod (Pogledajte Vodič za brzi početak za detaljniji rad WIZ aplikacije).

### Garancija

Garancija je predmet strogih uslova korišćenja, a za više informacija posetite našu veb-lokaciju:

<https://www.wizconnected.com/en/consumer/support/>

### Specifikacije bežične veze:

Frekvencijski opseg bežičnog RF režima: 2400 - 2483,5 MHz

Maksimalna emitovana snaga:

Wi-Fi: Maks. 20 dBm

Bluetooth: Maks. 10 dBm

Ne koristite proizvode sa prigušivačima svetlosti, za prigušivanje koristite aplikaciju WIZ.

Funkcionalnost uključivanja/isključivanja je dostupna bez Wi-Fi veze.

Ovim, kompanija Signify izjavljuje da radnjska oprema tima WIZ svetiljke u skladu sa Direktivom 2014/53/EU (RED). Ceo tekst EU deklaracije o usklađenosti možete pronaći na sledećoj internet adresi: [wizconnected.com](http://wizconnected.com)

Wi-Fi® Wi-Fi CERTIFIED logotip u registrovani zaštitni znakovi saveza Wi-Fi Alliance.

Wi-Fi CERTIFIED™, WPA2™, WPA3™ su zaštitni znakovi saveza Wi-Fi Alliance.

Bluetooth® reč i logotipi su registrovani zaštitni znakovi u vlasništvu kompanije Bluetooth SIG, INC.

Amazon, Alexa i svi povězení logoťipoi zaštiťitni znakovi kompanije Amazon.com, Inc iñ hñjenih podružnica,

Google je zaštiťitni znak kompanije Google LLC. Siri je registrovani zaštiťitni znak kompanije Apple Inc.

Švako korišćenje tih oznaka kompanije Signify odvija se pod licencom.

Ostali zaštiťitni znakovi i trgovačke marke su vlasništvo njihovih vlasnika.

## CZ - BEZPEČNOSTNÍ INSTRUKCE

Děkujeme Vám za zakoupení tohoto výrobku značky WIZ. Velmi si vážíme toho, že jste si vybral právě tuto značku, a rádi bychom Vám tímto popřáli, ať se Vám náš výrobek co nejlépeji užívá. Tato Příručka B obsahuje definice všech potenciálně platných parametrů a technických údajů s ikonami, tak jak to ukládají mezinárodní normy a bezpečnostní standardy. Vždyk všechny se nemusejí vztahovat na výrobek, který jste zakoupili: podívejte se prosím na ikony v další Příručce A. V ní jsou uvedeny parametry a technické údaje platné konkrétně pro tento výrobek.

Výrobek doporučuje správné používání osvětlovacích těles. Vždyk proto dodržujte tyto pokyny, abyste zajistili správnou a bezpečnou montáž a funkci osvětlovacího tělesa, a uschvejte je pro budoucí využití. Před montáží vždy nejprve kontaktujte profesionála z oblasti osvětlení, který vám pomůže se správným upevněním výrobku. Vezměte v úvahu hmotnost výrobku a typ materiálu, ze kterého je vyroben povrch pro upevnění. V případě pochybností se poraďte s kvalifikovaným či licencovaným elektrikářem. Zajistěte, aby byl výrobek vždy instalován podle příslušných předpisů. Některé předpisy uvádějí, že elektrické výrobky musí instalovat pouze licencovaný elektrikář (například část P platná pro Velkou Británii, AS/NZS3000 IN pro AUSTRÁLIÍ/NOVÝ ZELAND). Před prováděním instalace, údržby nebo oprav vždy vypněte napájení. Před instalací si prohlédněte příslušné barvy kabeláže: modrá (N), hnědá (L), a je-li přítomna ochrana třídy I, žlutozelená (uzemnění). Nástěnná svítidla namontujte mimo dosah dětí. Pokud je výrobek namontován na kovový povrch, musí být tento povrch připojen k ochrannému uzemňovacímu vodiči nebo vodiči instalace ochrany propením. K údržbě utáhněte šrouby svorek, zvláště upevnění nízkonapěťových vodičů (12 V) (v případě potřeby). Důrazně se doporučuje šrouby svorek pravidelně kontrolovat a dotahovat. Obalové materiály (například plastové sáčky apod.) uchovávejte mimo dosah dětí. K údržbě vnitřního osvětlení použijte suchou prachovku. Nepoužívejte abrazivní látky ani rozpouštědla. Nikdy nepoužívejte kapaliny na žádné elektrické součásti. Prasklý nebo rozbitý průhledný kryt vždy vyměňte a používejte pouze dily schválené výrobcem. Doporučuje se používat žárovky značky Philips.

Informujte se o místním systému likvidace a tříděného sběru elektrických a elektronických výrobků a balení. Postupujte v souladu s místními předpisy a nevyhazujte staré výrobky do běžného komunálního odpadu. Správná likvidace produktů a baterií přispívá k ochraně přírodních nežádoucích vlivů na životní prostředí a zdraví osob. Baterie je třeba zlikvidovat samostatně mimo veřejné skládky prostřednictvím specializovaných sběrných míst. Při likvidaci výrobku obsahujícího baterie, které nejsou uživatelsky vyměnitelné, musí uživatelsky nevyměnitelné baterie vyjmut odborníky.

**POZOR:** Niže naleznete všechny popisy s číselnými odkazy na příslušné ikony na přední straně těchto bezpečnostních pokynů:

01) Výrobek smí být instalován pouze v interiéru. 02) Výrobek není vhodný pro instalaci v koupelnách, předevšim v uvedené zóně. 03) Výrobek není vhodný pro přímou montáž na normálně hořlavé povrchy. 04) Výrobek není vhodný pro zakrytí termoizolačním materiálem. 05) Výrobek je vhodný pouze pro montáž na strop. 06) Výrobek je vhodný pouze pro montáž na zed. 07) Výrobek je vhodný pro montáž na zed nebo na strop. 08) Vždyk vezměte v úvahu minimální vzdálenost (kterou udává ikona) mezi svítidlem a osvětleným objektem.

09) IPX1: Výrobek je chráněn před kapající vodou. IPX3: Výrobek smí být vystaven dešťovým kapkám (kapkám dopadajícím maximálně pod úhlem 60° ke vsvislé ose). IPX4: Výrobek je odolný proti postřikání: smí být vystaven stříkající vodě přicházející z libovolného směru (360°).

IPX5: Výrobek je chráněn před stříkajícím proudem vody. IPX7: Výrobek lze instalovat na zemi. IPX8: Výrobek je chráněn před ponořením do uvedené hloubky. - IP5X: Výrobek je chráněn proti prachu. IP6X: Výrobek je utěsněn proti vniknutí prachu. 10) Prasklé nebo rozbité bezpečnostní sklo ihned vyměňte a použijte pouze borokřemíkové sklo stejných rozměrů, o minimální tloušćce 3 mm. 11) Třída ochrany I: Výrobek nebo součást jsou připojeny k uzemnění. Uzemňovací vodič (žlutozelený) musí být připojen ke svorce označené třídou ochrany I.

12) Třída ochrany II: Výrobek nebo součást jsou dodávány se zdvojenou nebo zesílenou izolací. 13) Třída ochrany III: Výrobek nebo součást jsou vhodné pouze pro zvláště nízké napětí napětí (<50 V stř., <120 V stejnosm.). 14) Odkrytí vodič tak, jak ukazuje ikona.

15) Uzemňovací vodič musí být vždy delší než napěťový vodič pod napětím (L) a modrý neutrální vodič (N). 16) Na odkryté části vodiče je nutno použít dodané tepluvzdorné pouzdro. 17) Výrobek je vhodný pouze pro přímé zapojení do elektrické sítě. 18) - Připojení X: V případě poškození vodiče je nutné poškozený vodič nahradit vodičem stejného typu. - Připojení Y: V případě poškození vodiče smí poškozený vodič být vyměněn pouze výrobcem, distributor nebo odborníky, aby se předešlo rizikovým situacím. - Připojení Z: Externí flexibilní kabel nebo šňůru tohoto svítidla nelze vyměnit. Je-li poškozen kabel, musí být svítidlo zlikvidováno. 19) MAX...W: Používejte pouze žárovky vhodné pro tento výrobek. Používejte žárovky nepřesahující uvedený výkon ve wattech. 20) Výrobek je vhodný pouze pro reflektorové žárovky. 21) Výrobek je vhodný pouze pro žárovky CFL-i ani LED (např. E14, E27, Gu10, Gx53, ...)

22) Výrobek není vhodný pro žárovky CFL-i ani LED (např. E14, E27, Gu10, Gx53, ...) 23) Je možné použít pouze žárovku o průměru 60 mm. 24) Výrobek o průměru 45 mm se v tomto výrobku používat nesmí.

24) Používejte pouze kulatou žárovku o uvedeném průměru. Nikdy nepoužívejte standardní žárovku. 25) Tento výrobek je vhodný pouze pro žárovky ve tvaru svíčky. 26) Výrobek je vhodný pouze pro žárovky s vestavěnou bezpečnostní pojistkou nebo pro nízkotlaké žárovky. Zvláště bezpečnostní sklo není třeba. 27) Kapslovky a lineární halogenových žárovek se nesmíte dotýkat holými rukama. 28) Výrobek je opatřen pojistkou. Pokud výrobek po vyměně žárovky nefunguje, je nutné vyměnit vnitřní pojistku. Může-li přitom dojít ke kontaktu s vnitřní kabeláží, musí tuto výměnu provést kvalifikovaný elektrikář. 29) Výrobek je smívatelný pomocí přiloženého konektoru nebo stmivače, který je připojen ke elektroinstalaci v domě (není součástí dodávky). Referenční údaje naleznete na webové stránce „Wizconnected.com“. S výběrem vhodného typu stmivače vám poradí kvalifikovaný elektrikář. 30) výrobek nelze ztlumit. 31) výrobek lze ztlumit POUZE pomocí dodaného stmivače. Další stmivač nepřipojujte. 32) Nastavení stmívání závisí na zvoleném typu žárovky. Další informace o funkcích stmívatelnosti jsou k dispozici v informačním balíčku dodaném s žárovkou. 33) Výrobek pracuje s bezpečnostním transformátorem. Rozbitý transformátor nahradte pouze transformátorem se stejnými technickými údaji. Poradte se s kvalifikovaným elektrikářem nebo v obchodě. 34) Výrobek do náročných podmínek. 35) Výrobek s možností nastavení času a světla. Minimum a maximum je uvedeno na ikoně. 36) Výrobek lze namontovat do maximální výšky 6 m. 37) Chcete-li dosáhnout spolehlivého provozu, je nutné namontovat výrobek do výšky uvedené na ikoně. Ikona udává také maximální a minimální dosah detektoru. 38) Standardní aktivní rozsah pohledu detektoru pokrývá rozsah stupňů uvedený na ikoně. 44

39) Tento výrobek musí být namontován vodorovně. Chcete-li zajistit delší životnost, nemějte by uňel žárovky přesaňovat 4 stupně.  
40) Ujistěte se, že při montáži nevtárate elektrické vedení nebo překážky ve zdi nebo stropě (41) Pokud se výrobek montuje do stropní nebo nástěnné schránky, je nutné krabici nejprve zakrýt vikem (např. v Nizozemsku). 42) Elektrické vedení nesmí nikdy být stisknuto nebo zkrouceno mezi výrobkem a montážním povrchem (43) Části tohoto výrobku se mohou zahřát. 44) Tento výrobek není vhodný pro děti mladší Y let. 45) výrobek je vhodný pouze pro osoby starší Y let. 46) Namontujte výrobek mimo dosah rukou (X1: pro děti, X2: pro dospělé). 47) Na instalaci produktu jsou potřeba dvě osoby. 48) Aby se zabránilo korozi, vyčistěte svítidlo nejméně dvakrát ročně měkkým hadíkem a neutrálním čistícím prostředkem. (4 krát v pobřežních nebo průmyslových oblastech). 49) Výrobek lze nastavit pouze nástrojem během instalace. 50) "Varování: Nebezpečí úrazu elektrickým proudem! Zdroj světla v tomto svítidle může být vyměněn pouze výrobcem, pracovníkem servisu nebo obdobně kvalifikovanou osobou. 51) Světelný zdroj (pouze LED) vyměnitelný koncovým uživatelem. 52) Světelný zdroj vyměnitelný koncovým uživatelem. 53) Světelný zdroj (pouze LED) vyměnitelný odborníkem: Světelný zdroj LED použitý v tomto svítidle může měnit pouze výrobce nebo jeho servisní technik (i obdobně kvalifikovaná osoba. 54) Světelný zdroj vyměnitelný odborníkem: Světelný zdroj LED použitý v tomto svítidle může měnit pouze výrobce nebo jeho servisní technik (i obdobně kvalifikovaná osoba. 55) Světelný zdroj bez možnosti výměny: zdroj světla v tomto svítidle nelze vyměnit; na konci životnosti zdroj světla je třeba vyměnit, celé svítidlo. 56) Ovládací předřadník vyměnitelný koncovým uživatelem. 57) Ovládací předřadník vyměnitelný odborníkem. 58) Ovládací předřadník bez možnosti výměny. 59) Nepoužívejte řídicí zařízení, máte-li mokré ruce, nacházíte se v oblastech vystavených přímému působení vody anebo v exteriérech. 60) Nedívejte se do pracujícího světelného zdroje.

**Nařízení o uvádění spotřeby energie na energetických štítcích (EU)2019/2015:** 61) Tento výrobek obsahuje světelný zdroj s energetickou účinností třídy A. 62) Tento výrobek obsahuje světelný zdroj s energetickou účinností třídy B. 63) Tento výrobek obsahuje světelný zdroj s energetickou účinností třídy C. 64) Tento výrobek obsahuje světelný zdroj s energetickou účinností třídy D. 65) Tento výrobek obsahuje světelný zdroj s energetickou účinností třídy E. 66) Tento výrobek obsahuje světelný zdroj s energetickou účinností třídy F. 67) Tento výrobek obsahuje světelný zdroj s energetickou účinností třídy G.

Tento výrobek byl navržen a vyroben pouze pro běžné domácí užití v normálních podmínkách. Na obalu je (v souladu s normami L70B50 a IEC60969) uvedena průměrná životnost výrobku, která vychází z předpokládané doby svícení 3 hodiny denně. V případě problémů s užíváním výrobku doporučujeme nejdříve se podívat do uživatelské příručky a na informace na našich webových stránkách. V souladu s podmínkami zde uvedenými, výrobce (Signify Netherlands B. V., International Business Reply Service I. B. R. S. / C.C.R.I. Numérou 10461 5600 VB Eindhoven, Nizozemsko) poskytuje záruku za to, že tento výrobek zůstane prost vad, jak co do použitých materiálů, tak co do zpracování, po dobu dvou (2) let od jeho zakoupení, není-li na obalu výrobku uvedena jiná doba, za předpokladu, že bude s výrobkem zacházeno v souladu s pokyny pro jeho čištění a údržbu uvedenými v uživatelské příručce. Není-li ustanoveními příslušných zákonů, od nichž se nelze odchýlit, dáno jinak, jsou povinnosti vyplývající pro výrobce z této záruky omezeny na opravu vadného výrobku, poskytnutí náhradního výrobku výměnou za vadný výrobek či vrácení příslušných částí vadného výrobku, a to dle výlučného uvázení výrobce. Záruka se nevztahuje na (de)montáž, instalaci či odstranění výrobku, práci s tím spojenou, ani na rozbité sklo, baterie a vyměnitelné žárovky. Opravy provedené výrobcem v záruční lhůtě neprodlužují ani neobnovují původní délku záruční lhůty. Výrobce má právo vadný výrobek dle uvázení v rámci záruky nahradit výrobkem s drobnými odchylkami ve vzhledu a/nebo vlastnostech, které nijak neovlivňují funkčnost výrobku. Chcete-li úspěšně uplatnit práva vyplývající z této záruky, je nutné, abyste náro (nebo našemu zástupci) na vyžádání poskytli doklad o koupi a vadný produkt ke kontrole. V rozsahu, v jakém to umožňují příslušné zákony, představuje obsah této záruky vše, za co je výrobce zodpovědný v vadných a nevyhovujících produktech. Výrobce nenese odpovědnost za žádné další ztráty ani nepřímé či následné škody, vzniklé prostřednictvím výrobku nebo v souvislosti s ním (včetně, nikoliv však výlučně ztráty dat či příjmu). Není ani povinen poskytnout náhradu za činnosti, jako je běžná údržba, zálohování či obnova dat. Tato záruka, kterou výrobce dobrovolně poskytuje, nijak neovlivňuje vaše práva vyplývající z ustanovení příslušných zákonů, od nichž se nelze odchýlit. Pokud svůj výrobek dáte k opravě v jiné zemi, než ve které byl zakoupen, budeme se jej snažit opravit v souladu se záručními podmínkami platnými v zemi, v níž jste jej zakoupili.

## Postup instalace

Podrobný postup naleznete v montážní příručce,

Spusťte aplikaci WIZ a připojte výrobek (podrobnosti o použití aplikace WIZ viz Stručný návod k obsluze).

## Záruka

Záruka počítá s přísným omezením použití. Další informace najdete na naší webové stránce:

<https://www.wizconnected.com/en/consumer/support/>

## Specifikace bezdrátové komunikace:

Radiofrekvenční pásmový rozsah bezdrátového režimu: 2 400–2483,5 MHz

Maximální přenášený výkon:

Wi-Fi: Max. 20 dBm

Bluetooth: Max. 10 dBm

Produkty by se neměly používat společně se strmičáky, K regulaci použijte aplikaci platformy WIZ.

Funkce vypnutí/zapnutí je k dispozici i bez připojení k síti Wi-Fi.

Společnost Signify tímto prohlašuje, že rádiové zařízení typu svítidla WiZ je v souladu se směrnicí 2014/53/EU (RED). Úplné znění prohlášení o shodě EU je k dispozici na této internetové adrese: [wizconnected.com](http://wizconnected.com)

Wi-Fi® a logo Wi-Fi CERTIFIED jsou registrované ochranné známky sdružení Wi-Fi Alliance.

Wi-Fi CERTIFIED™ a WPA2™, WPA3™ jsou ochranné známky sdružení Wi-Fi Alliance.

Slovní ochranné známky a logo Bluetooth® jsou registrované ochranné známky ve vlastnictví společnosti Bluetooth SIG, INC.

Amazon, Alexa a veškerá související logo jsou ochranné známky společnosti Amazon.com, Inc a přidružených subjektů.

Google je ochranná známka společnosti Google LLC. Siri je registrovaná ochranná známka společnosti Apple Inc.

Jakékoli použití těchto značek společnosti Signify je licencováno.  
Ostatní ochranné známky a obchodní názvy jsou majetkem příslušných vlastníků.

## SK - BEZPEČNOSTNÉ INŠTRUKCIE

Dakujeme Vám za zakúpenie tohto výrobku WIZ. Veľmi si vážime, že ste si vybrali práve túto značku, a radi by sme Vám týmto popriali, nech Vám náš výrobok robí čo najväčšiu radosť. Táto príručka B obsahuje definície všetkých potenciálne relevantných parametrov a technických špecifikácií s ikonami podľa medzinárodných noriem a bezpečnostných štandardov. Nie všetky však musia byť relevantné pre produkt, ktorý ste si zakúpili – ikony, ktoré sa vzťahujú konkrétne na tento produkt, nájdete v Príručke A.

Výrobca odporúča správne používanie svietidiel! V záujme správnej a bezpečnej montáže a fungovania svietidla preto vždy dodržiavajte tieto pokyny, ktoré si odložte pre budúce potreby. Pri výbere správneho spôsobu upevnenia na bezpečnú montáž produktu sa vždy vopred poraďte s odborníkom. Zohľadnite hmotnosť produktu a materiál povrchu určeného na montáž. V prípade pochybností kontaktujte kvalifikovaného alebo licencovaného elektrikára alebo svojho predajcu. Uistite sa, že produkt je nainštalovaný podľa príslušných predpisov. Niektoré smernice nariaďujú inštaláciu elektrických zariadení vylučuje licencovaných elektrikárov (napr. smernica Part P pre Spojené kráľovstvo alebo smernice AS/NZS3000 IN pre AUSTRÁLIU/NOVÝ ZÉLAND). Pred inštaláciou, údržbou alebo opravou vždy vypnite napájanie zariadenia. Pri inštalácii dodržujte správnu farbu vodičov: modrý (N) a hnedý (L) a pri triede ochrany I žltý/zelený (uzemňovacia). Nástenné svietidlo upevnite mimo dosahu detí. Ak montujete produkt na kovový povrch, tento povrch musí byť spojený s ochranným uzemňujúcim vodičom alebo vodičom na vyrovnávanie potenciálu elektroinštalácie. Prípácke skrutky vždy pevne dotiahnite, hlavne pri nástavcovch pre rozvodky nízkeho napätia (12 V) (ak sa používajú). Dôrazne odporúčame pravidelnú kontrolu a opätovné dotiahnutie pripájacích skrutiek. Ballast materiál (napr. plastové obaly...) uchovávajte mimo dosahu detí. Interiérové svietidlá utierajte suchou látkovou prachovkou, nepoužívajte drsné prostriedky alebo rozpušťače. Dbajte na to, aby elektrické časti výrobku neprišli do kontaktu s tekutinami. Prasknuté alebo poškodené prísivný kryt ihneď vymeňte a používajte iba diely schválené výrobcom. Odporúčame používať výlučne žiarovky značky WIZ.

Zistite si informácie o miestnej likvidácii odpadu, systéme separovaného zberu elektrických a elektronických výrobkov a obalov. Postupujte v súlade s miestnymi predpismi a nevychádzajte staré výrobky do bežného komunálneho odpadu. Správna likvidácia produktov z batérií prispieva k zabráneniu prípadným nežiaducim vplyvom na životné prostredie a zdravie ľudí. Batérie treba zlikvidovať samostatne mimo verejnej sklady prostredníctvom špecializovaných zberných miest. Pri likvidácii výrobku obsahujúceho batérie, ktoré nemôže vyberat pouzivat'ek, musí výber nevymeniteľných batérií vykonať odborný technik.

**POZOR:** Nižšie sú v danom poradí uvedené všetky vysvetlivky jednotlivých ikon zoradených podľa čísel pred týmito bezpečnostnými pokynmi: 01) Produkt sa smie inštalovať iba v interiéri. 02) Produkt nie je vhodný na inštaláciu v kúpeľni, hlavne nie v špecifickovanej zóne. 03) Produkt hemôže byť inštalovaný priamo na bežne horľavý povrch. 04) Produkt nemôže byť zakrytý izolačným materiálom. 05) Produkt je vhodný iba na montáž na strop. 06) Produkt je vhodný iba na montáž na stenu. 07) Produkt je vhodný na montáž na stenu alebo na strop. 08) Vždy zohľadnite minimálnu vzdialenosť medzi svietidlom a osvetľovaným objektom vyznačenú na ikone. 09) IPX1: Produkt je chránený proti kvapkajúcej vode. IPX3: Produkt môže byť vystavený dažďu (kvapky vody dopadajú pod uhlom max. 60° k vertikálnej osi). IPX4: Produkt je chránený pred ošplechnením vodou: môže byť ošplechnený vodou z každého smeru (360°). IPX5: Produkt je chránený proti prachu vody. IPX7: Produkt môže byť inštalovaný do zeme. IPX8: Produkt je chránený pri ponorení do vyznačenej hĺbky. - IPX9: Produkt je chránený proti prachu. IPX6: Produkt je prachotesný. 10) Prasknuté alebo rozbité bezpečnostné sklo ihneď vymeňte a používajte iba borokremičité diely rovnakých rozmerov s minimálnou hrúbkou 3 mm. 11) Trieda ochrany I: produkt alebo komponent má uzemňujúcu svorku. Uzemňujúci vodič (žltý/zelený) musí byť pripojený na svorku označenú trieda ochrany I. 12) Trieda ochrany II: produkt alebo komponent sa dodáva s dvojitou alebo spevnenou izoláciou. 13) Trieda ochrany III: produkt alebo komponent je možné používať iba pri zdroji napájania s nízkym napätím (< 50 V striedavý prúd; < 120 V jednosmerný prúd). 14) Odstráňte izoláciu z vodiča podľa záznamu na ikone. 15) Uzemňujúci vodič musí byť vždy dlhší ako hnedý vodič (L) pod napätím a modrý nulový (N) vodič. 16) Odizolované vodiče musia byť obalené dodanými návklesmi s vysokou tepelnou odolnosťou. 17) Produkt je možné pripojiť iba priamo na elektrický zdroj napájania. 18) - X-pripojenie: v prípade poškodenia musí byť vodič nahradený výhradne výrobcom, distribútorom alebo iným odborníkom, aby sa predišlo riziku. - Z-pripojenie: vonkajší flexibilný kábel alebo šnúru svietidla nie je možné nahradit. Ak je kábel poškodený, svietidlo zlikvidujte. 19) MAX... W: používajte iba žiarovky vhodné pre tento produkt a dodržujte uvedený maximálny výkon vo wattoch. 20) Produkt je vhodný iba pre reflektorové žiarovky. 21) Produkt je vhodný iba pre žiarivky CFL-I alebo žiarovky LED (napr. E14, E27, Gu10, Gx53...) 22) Produkt nie je vhodný pre žiarivky CFL-I ani žiarovky LED (napr. E14, E27, Gu10, Gx53...) 23) Používajte iba žiarovky s priemerom 60 mm. Pre tento produkt sa nesmú používať žiarovky s priemerom 45 mm. 24) Používajte iba guľaté žiarovky s rozmermi, ktoré spĺňajú uvedené priemer. Nikdy nepoužívajte klasické žiarovky. 25) S týmto produktom sa môžu používať iba žiarovky v tvare sviečky. 26) S produktom sa môžu používať iba žiarovky so zabudovanou poistkou alebo nízkotlakové žiarovky. Prídavné bezpečnostné sklo nie je potrebné. 27) Kapsulových a lineárnych halogénových žiaroviek sa nedotýkajte holými rukami. 28) Produkt je vybavený poistkou. Ak produkt po výmene žiarovky nefunguje, je potrebné vymeniť vnútornú poistku. Ak môže dôjsť ku kontaktu s vnútornou kabeľovou, výmenu musí vykonať kvalifikovaný elektrikár. 29) Produkt má možnosť stmievania a je vybavený stmievačom alebo (neodaným) stmievačom pripojeným k domácim elektrickým rozvodom. Viac informácií nájdete na stránke „WIZconnected.com“. Pri výbere vhodného typu stmievača sa poraďte s kvalifikovaným elektrikárom. 30) Produkt nemá možnosť stmievania. 31) Produkt má možnosť stmievania LEN s dodaným stmievačom. Ďalší stmievač nepripájajte. 32) Nastavenie stmievania závisí od zvoleného typu žiarovky. Viac informácií o vlastnostiach stmievateľnosti je k dispozícii v informačnom balíčku, ktorý sa nachádza pri žiarovke. 33) Produkt funguje s bezpečnostným transformátorom. Pri poruche transformátor vymeňte iba za transformátor s rovnakými technickými špecifikáciami. Poradie 34 s kvalifikovaným elektrikárom alebo predajcom. 34) Produkt vhodný na nešetné použitie. 35) Produkt je vybavený možnosťami nastavenia času a intenzity svetla. Ikona uvádza minimálnu a maximálnu hodnotu. 36) Produkt je možné upevniť do výšky max. 6 m. 37) Aby I ste zaručili spoľahlivú prevádzku, upevnite produkt do výšky uvedenej na ikone. Maximálna a minimálna výška umiestnenia detektora je tiež I uvedená. 38) Štandardný aktívny rozsah pokrytia detektorom uvádzajú stupne na ikone. 39) Produkt upevnite do vodorovnej polohy. Na



Zošťavníme dlhšej životnosti nesmie byť žiarovka v uhlí včakšom ako 4 stupne. 40) Počas inštalácie nevytajte bez elektrického vodiča ani žiadne iné predkážky v stene alebo stropel 41) Ak montujete produkt na stropnú skrinku alebo nástennú skrinku, je nevyhnutné najskôr zakryť túto skrinku vekom (napr. Holandsko). 42) Elektrické vodiče sa nikdy nesmú zacviknúť ani skrútiť medzi produkt a montážny povrch! 43) Časť tohto produktu sa môže zohriať. 44) Tento produkt nie je vhodný pre deti mladšie ako 6 rokov. 45) Produkt je vhodný len pre osoby staršie ako 6 rokov. 46) Produkt upevnite mimo dosahu (X1: deti, X2: dospelých). 47) Na inštaláciu produktu sú potrebné dve osoby. 48) Aby ste predišli korózii, vyčistite svetlido najmenej dvakrát ročne mäkkou handričkou a neutrálnym čistiacim prostriedkom. (Štyrikrát v pobrežných alebo priemyselných oblastiach) 49) Počas inštalácie je produkt možné nastaviť iba pomocou nástroja. 50) Pozor: Nebezpečenstvo zásahu elektrickým prúdom! Zdroj svetla v tomto svetelide môže vymieňať len výrobca, poskytovateľ servisných služieb výrobcu alebo iná kvalifikovaná osoba. 51) Svetelný zdroj (ten LED) vymeniteľný koncovým používateľom. 52) Svetelný zdroj vymeniteľný koncovým používateľom. 53) Svetelný zdroj (ten LED) vymeniteľný profesionálnym technikom: LED svetelný zdroj v tomto svetelide môže vymeniť len výrobca alebo jeho servisný pracovník, prípadne osoba s podobnou kvalifikáciou. 54) Svetelný zdroj vymeniteľný profesionálnym technikom: Svetelný zdroj v tomto svetelide môže vymeniť len výrobca alebo jeho servisný pracovník, prípadne osoba s podobnou kvalifikáciou. 55) Nevymeniteľný svetelný zdroj: Zdroj svetla v tomto svetelide sa nedá vymeniť, ak zdroj svetla dosiahne koniec svojej životnosti, je potrebné vymeniť celé svetlido. 56) Ovládací predradník vymeniteľný koncovým používateľom. 57) Ovládací predradník vymeniteľný profesionálnym technikom. 58) Nevymeniteľný ovládací predradník 59) Ovládacie zariadenie nepoužívajte s mokrymi rukami, v oblastiach priamo vystavených pôsobeniu vody ani vonku 60) Nepozerajte sa priamo do zapnutého zdroja svetla

**Nariadenie o energetickom označovaní (EU) 2019/2015:** 61) Tento výrobok obsahuje svetelný zdroj s triedou energetickej účinnosti A. 62) Tento výrobok obsahuje svetelný zdroj s triedou energetickej účinnosti B. 63) Tento výrobok obsahuje svetelný zdroj s triedou energetickej účinnosti C. 64) Tento výrobok obsahuje svetelný zdroj s triedou energetickej účinnosti D. 65) Tento výrobok obsahuje svetelný zdroj s triedou energetickej účinnosti E. 66) Tento výrobok obsahuje svetelný zdroj s triedou energetickej účinnosti F. 67) Tento výrobok obsahuje svetelný zdroj s triedou energetickej účinnosti G.

Tento výrobok je určený a vyrobený len na bežné domáce použitie v bežných podmienkach. Na obale sa (v súlade s normami I70B50 a IEC60969) uvádza priemerná životnosť výrobku, ktorá vychádza z predpokladanej doby svietenia 3 hodiny denne. V prípade problémov s používaním výrobku odporúčame, aby ste sa najskôr pozreli do návodu na použitie a preverili si informácie na našich webových stránkach. V súlade s týmito záručnými podmienkami ako výrobca (Signify Netherlands B.V., International Business Reply Service I.B.R.S. / C.C.R.I. Numéro 10461 5600 VB Eindhoven, The Netherlands) poskytujeme v súlade so slovenskými právnymi predpismi záruku za to, že sa na tomto výrobku neprejavia vady, týkajúce sa použitých materiálov alebo spracovania, po dobu dvoch (2) rokov od jeho zakúpenia, pokiaľ nie je na obale výrobku uvedená iná doba, za predpoklad, že sa bude s výrobkom zaobchádzať v súlade s pokynmi na jeho čistenie a údržbu uvedenými v návode na použitie. Ak ustanovenia príslušných právnych predpisov neurčia inak, povinnosti výrobcu vyplývajúce z tejto záruky sú obmedzené, podľa jeho rozhodnutia, na opravu vadného výrobku, poskytnutie náhradného výrobku za vadný výrobok alebo vrátenie kúpnej ceny zaplatenej za vadný výrobok. Záruka sa nevzťahuje na náklady na (de)montáž, inštaláciu či odstránenie výrobku, cenu práce či náklady na rozbité sklo, batérie a vymeniteľné žiarovky. Opravy vykonané výrobcom v záručnej lehote nepredzujú ani neobnovujú pôvodnú dĺžku záručnej doby. Ako výrobca máme právo vadný výrobok podľa uváženía v rámci záruky nahradit výrobkom s odlišným vzhľadom a/alebo vlastnosťami, ktoré nijako neovplyvňujú funkčnosť výrobku. Ak chcete úspešne uplatniť práva vyplývajúce z tejto záruky, je nutné, aby ste nám (alebo nášmu zástupcovi) na vyžiadanie poskytli doklad o kúpe a vadný výrobok na analýzu. V rozsahu, v akom to umožňujú príslušné právne predpisy, predstavuje obsah tejto záruky všetko, za čo je výrobca zodpovedný v súvislosti s vadnými a nevyhovujúcimi výrobkami. Výrobca nenesie zodpovednosť za žiadne ďalšie straty ani škody, ktoré vznikli prostredníctvom výrobku alebo v súvislosti s ním (okrem iného vrátane straty údajov či príjmu). Nie sme tiež povinní poskytnúť Vám kompenzáciu za činnosť, ako je bežná údržba, zálohovanie či obnova údajov. Táto záruka, ktorú výrobca poskytuje dobrovoľne, nijako neovplyvňuje vaše práva vyplývajúce z príslušných právnych predpisov. Ak svoj výrobok necháte opraviť v inej krajine, ako v ktorej bol zakúpený, budeme sa ho snažiť opraviť v súlade so záručnými podmienkami platnými v krajine, v ktorej ste ho zakúpili.

## Montážny postup

Podrobné kroky nájdete v návode na montáž.

Spustite aplikáciu WIZ a pripojte výrobok (podrobnosti o používaní aplikácie WIZ nájdete v stručnej úvodnej príručke).

## Záruka

Záruka počita s prísnymi obmedzeniami použitia. Ďalšie informácie nájdete na našej webovej stránke:

<https://www.wizconnected.com/en/consumer/support/>

## Špecifikácie bezdrôtovej komunikácie:

Frekvenčné pásmo bezdrôtového RF režimu: 2 400 – 2 483,5 MHz

Maximálny prenášaný výkon:

Wi-Fi: max, 20 dBm

Bluetooth: max, 10 dBm

Produkty sa nemajú používať v kombinácii so stmievačmi. Na stmievanie použite aplikáciu WIZ.

Zapnutie a vypnutie sú k dispozícii bez pripojenia Wi-Fi.

Spoločnosť Signify týmto vyhlasuje, že typ rádiového zariadenia svetlida WIZ je v súlade so smernicou 2014/53/EÚ(RED). Úplné

znenie vyhlásenia o zhode EÚ je k dispozícii na nasledujúcej internetovej adrese: [wizconnected.com](http://wizconnected.com)

Názov Wi-Fi® a logo Wi-Fi CERTIFIED sú registrované ochranné známky spoločnosti Wi-Fi Alliance.

Wi-Fi CERTIFIED™, WPA2™, WPA3™ sú ochranné známky spoločnosti Wi-Fi Alliance.

Názov a logá Bluetooth® sú registrované obchodné známky vlastnené spoločnosťou Bluetooth SIG, INC.

Názvy Amazon, Alexa a všetky príslušné logá sú obchodné známky spoločnosti Amazon.com, Inc a jej pridružené spoločnosti.

Google je obchodná známka spoločnosti Google LLC, Siri je registrovaná obchodná známka spoločnosti Apple Inc.

Každé použitie takýchto značiek spoločnosťou Signify sa uskutočňuje na základe licencie.

## PL - INSTRUKCJE BEZPIECZESTWA

Dziękujemy za zakup tego produktu WIŻ. Bardzo się cieszymy, że marka WIŻ przypadła Ci do gustu i życzymy przyjemnego korzystania z naszego produktu. Niniejsza instrukcja B zawiera omówienie wszystkich parametrów i wymagań technicznych mogących mieć zastosowanie do produktu, wraz z ich oznaczeniami – zgodnie z normami międzynarodowymi oraz przepisami z zakresu bezpieczeństwa. Jednak część z nich może nie mieć zastosowania do tego produktu. Oznaczenia szczególnie ważne w przypadku danego produktu znajdują się w dodatkowej instrukcji A.

Producent zaleca poprawne użytkowanie oraz użycie oświetleniowych! Należy więc zawsze przestrzegać tych instrukcji dla pewności bezpiecznej i poprawnej instalacji i działania oprawy, oraz zachować je do późniejszego wglądu. Do prawidłowego zamontowania produktu niezbędny jest odpowiedni zacpek – w celu jego wyboru należy zawsze skonsultować się z fachowcem. Należy wziąć pod uwagę wagę produktu i rodzaj powierzchni, na której ma być zamontowany. W razie wątpliwości należy skonsultować się z wykwalifikowanym lub dysponującym odpowiednimi uprawnieniami elektrykiem albo skontaktować się z punktem sprzedaży detalicznej. Produkt musi zostać zainstalowany zgodnie z obowiązującymi przepisami. Niektóre przepisy zawierają wymóg instalowania urządzeń elektrycznych przez elektryka o odpowiednich uprawnieniach (np. przepisy z części P w przypadku użytkowników z WIELKIEJ BRYTANII czy przepisy AS/NZS3000 IN w przypadku użytkowników z AUSTRALII/NOWEJ ZELANDII). Przed rozpoczęciem instalacji, konserwacji lub naprawy należy bezwzględnie odłączyć zasilanie elektryczne. W trakcie instalacji trzeba pamiętać o poprawnym podłączeniu przewodów odpowiednio do ich kolorów: niebieski (N), brązowy (L) oraz – w przypadku klasy ochronności I – żółty/zielony (uziemienie). Oświetlenie ścienne należy montować tak, aby znajdowało się poza zasięgiem dzieci. Jeśli produkt jest montowany na metalowej powierzchni, do powierzchni tej należy podłączyć przewód uziemiający lub przewód wyrównawczy instalacji. Należy zawsze mocno dokręcać wkręty gąsienicowe, zwłaszcza w przypadku przewodów niskiego napięcia (12 V). Zalecane jest przeprowadzanie regularnych kontroli i dokręcanie wkrętów w zaciskach. Materiały opakowaniowe (np. worki foliowe) należy przechowywać w miejscu niedostępnym dla dzieci. Oprawy należy czyścić suchą szmatką, bez użycia środków zawierających substancje ściernie bądź rozpuszczalniki. Chronić podzespoły elektryczne przed kontaktem z płynami. Pękniętą lub uszkodzoną osłonę półprzezroczystą należy niezwłocznie wymienić, używając wyłącznie elementów dopuszczonych do użycia przez producenta. Zalecane jest używanie wyłącznie źródeł światła marki WIŻ.

☒ Należy we własnym zakresie sprawdzić informacje o lokalnych placówkach odbierających zużyte produkty elektryczne i elektroniczne oraz opakowania po nich. Należy bezwzględnie przestrzegać lokalnych przepisów zakazujących wyrzucania urządzeń i opakowań razem z odpadami komunalnymi. Właściwe usunięcie zużytego opakowania, produktu i/lub baterii pomoże uniknąć potencjalnych szkodliwych skutków dla środowiska naturalnego i zdrowia ludzi. Baterii nie wolno wyrzucać wraz z odpadami komunalnymi. Należy je ganić do wyznaczonych punktów zbiórki. W przypadku utylizacji produktu zawierającego baterie niepodlegające wymianie przez użytkownika, powinny one zostać usunięte przez specjalistę.

**UWAGA:** poniżej przedstawiono wszystkie definicje oznaczeń bezpieczeństwa poprzedzone odpowiednim odniesieniem liczbowym:

- 01) produkt przeznaczony do montażu wyłącznie wewnątrz pomieszczeń. 02) produkt nie nadaje się do montażu w łazienkach, w szczególności nie w określonej strefie. 03) produkt nie nadaje się do bezpośredniego montażu na powierzchniach nieogrzewanych.
- 04) produkt nie może być osłonięty materiałem termooizolacyjnym. 05) produkt nadaje się wyłącznie do montażu sufitowego. 06) produkt nadaje się wyłącznie do montażu ściennego. 07) produkt nadaje się do montażu ściennego lub sufitowego. 08) należy zawsze zachować minimalną odległość pomiędzy oprawą oświetleniową a oświetlanym przedmiotem, wskazaną na oznaczeniu. 09) (IPX1): produkt jest odporny na działanie kaplącej wody. (IPX3): produkt może zostać wystawiony na działanie deszczu (kropli spadających pod maksymalnym kątem 60° względem osi pionowej). (IPX4): Produkt jest odporny na rozbrzyzi. Może zostać wystawiony na działanie wody pryskającej z dowolnego kierunku (360°). (IPX5): produkt jest odporny na działanie strumienia wody. (IPX7): produkt nadaje się do montażu w gruncie. (IPX8): produkt jest odporny na zanurzenie do wskazanej głębokości. • (IP5X): produkt jest odporny na działanie pyłu. (IP6X): produkt jest pyłoszczelny. 10) pękniętą lub uszkodzoną elementy ze szkła bezpiecznego należy niezwłocznie wymienić, używając wyłącznie części wykonanych z borokrzemianu o takich samych wymiarach i grubości minimum 3 mm. 11) (klasa ochronności I): W produkcie lub jego podzespoły wykorzystano uzziemienie. Przewód uziemiający (żółty/zielony) musi zostać podłączony do zacisku oznaczonego gwiazdką (klasa ochronności I). 12) (klasa ochronności II): w produkcie lub jego podzespoły zastosowano podwójną bądź wzmożoną izolację. 13) (klasa ochronności III): produkt lub jego podzespół może być zasilany wyłącznie bardzo niskim, bezpiecznym napięciem (< 50 V prądu przemiennego; < 120 V prądu stałego). 14) izolację przewodów należy usunąć w sposób przestawiony na oznaczeniu. 15) przewód uziemiający musi być dłuższy od brązowego przewodu napięciowego (L) oraz niebieskiego przewodu zerowego (N). 16) na nieodizolowane odcinki przewodów należy nałożyć koszulki termoodporne dołączone do produktu. 17) produkt nadaje się wyłącznie do bezpośredniego podłączenia do źródła zasilania. 18) • Połączenie X – uszkodzony przewód powinien zostać zastąpiony przewodem tego samego typu. • Połączenie Y – ze względu na bezpieczeństwo uszkodzony przewód powinien zostać wymieniony wyłącznie przez producenta, dystrybutora lub wykwalifikowanego elektryka. • Połączenie Z – zewnętrzny giętki przewód tej oprawy oświetleniowej nie podlega wymianie. W przypadku uszkodzenia tego przewodu oprawę należy zutylizować. 19) (MAX...W): należy stosować wyłącznie źródła światła odpowiednie dla danego typu produktu; nie przekraczać maksymalnej mocy w watach. 20) należy stosować wyłącznie odpowiednie reflektory źródła światła. 21) należy stosować wyłącznie źródła światła CFL–I lub LED (np. E14, E27, G10, Gx53). 22) nie należy stosować źródła światła CFL–II ani LED (np. E14, E27, G10, Gx53). 23) Należy stosować wyłącznie źródła światła o średnicy 60 mm. Nie należy używać źródeł światła o średnicy 45 mm. 24) Należy stosować wyłącznie kuliste źródła światła o wskazanej średnicy. Zabronione jest korzystanie z tradycyjnych żarówek. 25) należy stosować wyłącznie odpowiednie źródła światła w kształcie świecy. 26) Należy stosować wyłącznie źródła światła z wbudowanym zabezpieczeniem lub niskociśnieniowych źródeł światła. Nie jest wymagane stosowanie dodatkowych osłon ze szkła bezpiecznego. 27) nie należy dotykać gołymi rękoma kapłuchowych ani podłużnych halogenowych źródeł światła. 28) Produkt jest wyposażony w bezpiecznik. Jeśli produkt przestanie działać po wymianie źródła światła, należy wymienić wewnętrzny bezpiecznik. W przypadku niebezpieczeństwa kontaktu z odsłoniętym przewodem czynność ta powinna zostać wykonana przez wykwalifikowanego elektryka. 29) produkt jest wyposażony w ściemniacz lub może wykorzystywać ściemniacz zamontowany w instalacji elektrycznej. Więcej

informacji można znaleźć pod adresem [Wizconnected.com](http://Wizconnected.com), przy wyborze typu ściemniacza należy skonsultować się z wykwalifikowanym elektrykiem. 30) Produkt nie ma funkcji przyciemniania. 31) Produkt można przyciemniać WYŁĄCZNIE za pomocą dołączonego regulatora przyciemniania. Nie należy go podłączać do innych regulatorów przyciemniania. 32) Możliwość przyciemniania zależy od wybranej żarówki. Więcej informacji na temat funkcji ściemniacza znajduje się w pakiecie informacyjnym dołączonym do żarówki. 33) Produkt współpracuje z transformatorem. Niesprawny transformator można wymienić wyłącznie na transformator o identycznych parametrach technicznych. W tym celu należy skonsultować się z wykwalifikowanym elektrykiem lub z punktem sprzedaży detalicznej. 34) Produkt nadaje się do montażu na nieobrobionej powierzchni. 35) Produkt umożliwia ustawienie czasu świecenia i natężenia światła. Wartości minimalne i maksymalne zostały podane na oznaczeniu. 36) Produkt nadaje się do montażu na wysokości maksymalnie 6 m. 37) Aby zapewnić optymalną skuteczność działania, produkt należy zamontować na wysokości wskazanej na oznaczeniu. Oznaczenie określa również maksymalny oraz minimalny zasięg czujnika. 38) standardowy zakres roboczy czujnika jest określony przez wartości wskazane na oznaczeniu. 39) Ten produkt należy zamontować w pozycji poziomej. Aby wydłużyć żywotność źródła światła, nie należy go nachylać pod kątem większym niż 4 stopnie. 40) podczas instalacji należy uważać, aby nie przewiercić przewodów elektrycznych ani nie wierceć się w inne przeszkody znajdujące się w ścianie lub suficie! 41) jeśli produkt ma zostać zamontowany na suficie podwieszanym lub zabudowie ściennej, najpierw należy zakryć zabudowę (rozwiązanie/zostawienie np. w Holandii). 42) przewody elektryczne pomiędzy tym produktem a powierzchnią montażową nie mogą być zakleszczone/zaciśnięte ani poskręcane! 43) niektóre elementy produktu mogą silnie się nagrzewać. 44) produkt nie może być używany przez dzieci w wieku poniżej 7 lat. 45) produkt jest przeznaczony wyłącznie dla osób powyżej 7 roku życia. 46) produkt należy zamontować na takiej wysokości, aby nie dało się do niego sięgnąć ręką (XI: dotyczy dzieci, X2: dotyczy osób dorosłych). 47) Produkt do montażu w 2 osoby. 48) Aby uniknąć korozji, należy czyścić złączki miękką ściereczką i neutralnym detergentem co najmniej dwa razy w roku! (na obszarach przybrzeżnych lub przemysłowych - cztery razy w roku). 49) produkt można zamontować wyłącznie za pomocą narzędzi. 50) Uwaga: niebezpieczeństwo porażenia prądem elektrycznym! Źródło światła zamontowane w tej oprawie może być wymieniane wyłącznie przez producenta, pracownika serwisu lub inną wykwalifikowaną osobę. 51) Źródło światła (tylko LED) wymieniane przez użytkownika. 52) Źródło światła wymieniane przez użytkownika. 53) Źródło światła (tylko LED) wymieniane przez specjalistę: Źródło światła ILED wewnątrz tej oprawy oświetleniowej może być wymieniane wyłącznie przez producenta, jego pracownika serwisowego lub przez inną wykwalifikowaną osobę. 54) Źródło światła wymieniane przez specjalistę: Źródło światła wewnątrz tej oprawy oświetleniowej może być wymieniane wyłącznie przez producenta, jego pracownika serwisowego lub przez inną wykwalifikowaną osobę. 55) Niewymienne źródło światła: źródła światła zamontowanego w tej oprawie nie można wymienić; gdy zakończy się 56) 55) Osprzęt sterujący wymieniany przez użytkownika. 57) Osprzęt sterujący wymieniany przez specjalistę. 58) Osprzęt sterujący nie wymieniany przez użytkownika 59) Nie wolno obsługiwać urządzenia sterującego mokrymi rękami, w miejscach bezpośrednio narażonych na kontakt z wodą ani na zewnątrz budynków 60) Nie wolno wpatrywać się w działające źródło światła

**Rozporządzenie w sprawie etykietowania energetycznego (UE)2019/2015:** 61) Ten produkt zawiera źródło światła o klasie efektywności energetycznej A. 62) Ten produkt zawiera źródło światła o klasie efektywności energetycznej B. 63) Ten produkt zawiera źródło światła o klasie efektywności energetycznej C. 64) Ten produkt zawiera źródło światła o klasie efektywności energetycznej D. 65) Ten produkt zawiera źródło światła o klasie efektywności energetycznej E. 66) Ten produkt zawiera źródło światła o klasie efektywności energetycznej F. 67) Ten produkt zawiera źródło światła o klasie efektywności energetycznej G.

Ten produkt został zaprojektowany i stworzony wyłącznie do zastosowań domowych, w normalnych warunkach i trybie działania. Wskazany na opakowaniu okres eksploatacji jest jedynie przybliżony (zgodnie z normami L70B50 i L80C0969). Przy jego wyliczeniu założono, że produkt jest wykorzystywany średnio przez 3 godziny pracy na dzień. W razie jakichkolwiek trudności związanych z eksploatacją produktu zalecamy zapoznanie się z instrukcją obsługi oraz informacjami zawartymi w naszej witrynie. Z zastrzeżeniem warunków niniejszej umowy, jako producent (Signify Netherlands B.V., International Business Reply Service I.B.R.S. / C.C.R.I. numer 104615600 VB Eindhoven, Holandia), gwarantujemy, że produkt jest wolny od wad materiałowych i wad wykonania przez okres dwóch (2) lat od daty zakupu, chyba że na opakowaniu produktu podano inny okres, i podlega konserwacji zgodnie z instrukcjami konserwacji i czyszczenia określonymi w instrukcji obsługi. O ile przepisy ustawowe prawa właściwego nie stanowią inaczej, nasze zobowiązania na mocy gwarancji są ograniczone — według naszego uznania — do naprawy wadliwego produktu, zastąpienia go innym produktem lub wystawienia odpowiedniej noty kredytowej na kwotę odpowiadającą cenie zakupu wadliwego produktu. Montaż (demontaż) i/lub instalacja (deinstalacja) oraz koszty robocizny są wyłączone z zakresu gwarancji, podobnie jak stłuczone szkło, baterie i wymienne żarówki. Skorzysztanie przez nas ze środków prawnych wynikających z gwarancji nie skutkuje wydłużeniem ani wznowieniem pierwotnego okresu gwarancji. Możemy — według naszego uznania — zastąpić wadliwy produkt objęty gwarancją produktem charakteryzującym się minimalnymi odstępstwami w zakresie budowy lub specyfikacji, które nie wpływają na funkcjonalność produktu. Aby w sposób prawidłowy zgłosić roszczenie reklamacyjne na podstawie niniejszej gwarancji, należy przekazać nam (lub naszemu przedstawicielowi) na żądanie wystarczający dowód potwierdzający dokonanie zakupu, a także wadliwy produkt, w celu dokonania analizy. W niniejszych zasadach określono — w maksymalnym zakresie dozwolonym przez prawo właściwe — cały zakres naszej odpowiedzialności jako producenta w związku z wadliwymi lub niezgodnymi produktami. Nie ponosimy wobec klienta odpowiedzialności za inne straty lub szkody, pośrednie lub następcze, (co obejmuje między innymi utratę danych lub utratę dochodów), ani nie rekompensujemy mu kosztów wykonywanych przez niego czynności, takich jak regularna konserwacja, zapisywanie lub odzyskiwanie danych. Niniejsza gwarancja, udzielana dobrowolnie przez producenta, nie ma wpływu na uprawnienia przysługujące klientowi dotychczasowemu na mocy prawa właściwego. Jeśli klient oferuje swój produkt lub swoją usługę w kraju innym niż kraj, w którym zakupił produkt, dolożymy starań, aby jego produkt został naprawiony zgodnie z warunkami gwarancji obowiązującymi w kraju, w którym zakupił produkt.

## Korki instalacyjne

Szczegóły znajdują się w podręczniku instalacji.

Uruchomić aplikację Wiz, aby podłączyć produkt (szczegółowe informacje o działaniu aplikacji Wiz można znaleźć w przewodniku szybkiego startu).

## Gwarancja

Gwarancja podlega ściślejszym warunkom użytkowania. Więcej informacji można znaleźć na naszej stronie internetowej:

### Specyfikacja łączności bezprzewodowej:

Pasma częstotliwości łączności bezprzewodowej: 2400 – 2483,5 MHz

Maksymalny poziom przekazywanej mocy:

Wi-Fi: maks, 20 dBm

Bluetooth: maks, 10 dBm

Produktów nie należy używać z ściemniaczami; do ściemniania służy aplikacja WiZ.

Funkcja wl./wyl. dostępna bez łączności Wi-Fi.

Signify niniejszym oświadcza, że WiZ Luminaires należą do kategorii sprzętu radiowego, spełnia podstawowe wymagania i inne istotne postanowienia dyrektywy 2014/53/WE(RED). Pełny tekst deklaracji zgodności UE jest dostępny na stronie: [wizconnected.com](http://wizconnected.com)

Wi-Fi\* i logo Wi-Fi CERTIFIED są zastrzeżeniami znakami towarowymi Wi-Fi Alliance.

Wi-Fi CERTIFIED™, WPA2™, WPA3™ są znakami towarowymi Wi-Fi Alliance.

Słowo Bluetooth® oraz logo są zastrzeżeniami znakami towarowymi należącego do Bluetooth SIG, INC.

Amazon, Alexa i wszystkie powiązane logotypy są znakami towarowymi należącymi do Amazon.com, Inc. lub spółek zależnych.

Google jest znakiem towarowym firmy Google LLC. Siri jest zastrzeżonym znakiem towarowym Apple Inc.

Wszelkie korzystanie z takich znaków przez firmę Signify odbywa się na podstawie licencji.

Pozostałe znaki towarowe i nazwy handlowe należą do ich odpowiednich właścicieli.

## RO - INSTRUCIUNI DE SIGURANTA

Vă mulțumim pentru achiziția acestui produs WiZ, apreciem că ați ales marca WiZ și dorim să vă bucurați din plin de produsul nostru. Acest manual B conține definițiile tuturor parametrilor și specificațiilor potențial aplicabile, împreună cu pictogramele acestora, conform normelor și standardelor internaționale de siguranță. Nu toate acestea sunt, însă, aplicabile pentru produsul achiziționat de dvs.; consultați pictogramele din manualul suplimentar A pentru a le identifica pe cele aplicabile acestui produs.

Producătorul recomandă utilizarea corectă a instalațiilor de iluminat! Prin urmare, respectați întotdeauna aceste instrucțiuni pentru a asigura instalarea și funcționarea corecte și în condiții de siguranță a instalației și păstrați-le pentru consultare ulterioară. Consultați întotdeauna în prealabil un profesionist pentru a alege dispozitivul de fixare adecvat pentru instalarea produsului. Luați în considerare greutatea produsului și materialul suprafeței de instalare. Dacă aveți neclarități, consultați un electrician calificat și autorizat sau contactați magazinul de la care ați achiziționat produsul. Asigurați-vă că produsul este întotdeauna instalat în conformitate cu reglementările aplicabile. Anumite reglementări specifică faptul că produsele electrice pot fi instalate numai de către electricieni autorizați (de ex. Partea P pentru MAREA BRITANIE, AS/NZS3000 în pentru AUSTRALIA/NOUA ZEELANDĂ). Opriți întotdeauna

alimentarea electrică înainte de lucrările de instalare, întreținere sau reparații. Respectați codificarea cromatică a firelor la instalare: albastru (neutru), maro (fază) și, pentru echipamentele cu clasă de protecție I, galben/verde (masă). Nu montați luminile de perete la îndemâna copiilor. Dacă produsul este montat pe o suprafață metalică, această suprafață trebuie să fie conectată la un conductor de împământare de protecție sau la conductorul echipotențial al instalației. Strângeți întotdeauna ferm șuruburile bornelor, în special la conexiunile cablurilor de joasă tensiune (12 V) (dacă este cazul). Este recomandat să verificați și să strângeți din nou șuruburile bornelor la intervale regulate. Nu lăsați materialele de ambalare (de ex. pungile de plastic) la îndemâna copiilor. Curățați luminile interioare cu o lavetă uscată din material textil; nu utilizați materiale abrazive sau solvenți. Evitați aplicarea de lichide pe componentele electrice. Înlocuiți imediat capacele transparente crăpate sau sparte, utilizând numai piese aprobate de către producător. Este recomandat să utilizați numai becuri care poartă marca „WiZ”.

☒ Informați-vă cu privire la sistemul local de colectare, separare și eliminare a deșeurilor pentru produsele electrice și electronice și ambalajele acestora. Acționați în conformitate cu regulile locale și nu eliminați produsele vechi și ambalajele împreună cu deșeurile menajere obișnuite. Eliminarea corespunzătoare a ambalajelor, a produsului și/sau a bateriilor va ajuta la prevenirea consecințelor potențiale negative pentru mediu și sănătatea umană. Bateriile trebuie eliminate separat de sistemul municipal de gestionare a deșeurilor prin intermediul unităților de colectare desemnate. Atunci când eliminați un produs care conține baterii ce nu pot fi înlocuite de utilizator, aceste baterii trebuie îndepărtate de către un specialist.

**ATENȚIE:** Mai jos sunt oferite toate explicațiile necesare, cu referințe numerice la pictogramele corespunzătoare, prezentate la începutul acestui document: 01) Produsul trebuie instalat numai în interior. 02) Produsul nu este adecvat pentru instalarea în băi, mai ales nu în zona specificată. 03) Produsul nu este adecvat pentru montarea directă pe suprafețe în mod normal inflamabile. 04) Produsul nu este adecvat pentru a fi acoperit cu materiale termozolante. 05) Produsul este adecvat numai pentru montarea pe tavan. 06) Produsul este adecvat numai pentru montarea pe perete. 07) Produsul este adecvat pentru montarea pe perete sau pe tavan. 08) Respectați întotdeauna distanța minimă, indicată de pictogramă, între lampă și obiectul iluminat. 09) IPX1: Produsul este protejat împotriva stropilor de apă. IPX3: Produsul poate fi expus la picături de ploaie (picături care cad la un unghi maxim de 60° față de axa verticală). IPX4: Produsul este rezistent la furtună: acesta poate fi stropit cu apă din orice direcție (360°). IPX5: Produsul este protejat împotriva jeturilor de apă. IPX7: Produsul poate fi instalat în sol. IPX8: Produsul este protejat la scufundare până la adâncimea indicată. IPX9: Produsul este protejat împotriva prafului. IPX6: Produsul este etanș la profum. 10) Înlocuiți imediat sticla de siguranță crăpată sau spartă și utilizați numai componente din borosilicat de aceeași dimensiuni, cu grosime minimă de 3 mm. 11) Clasa de protecție I: produsul sau componenta are o conexiune la masă. Firul de masă (galben/verde) trebuie conectat la borna marcată cu un asterisc la clasa de protecție I. 12) Clasa de protecție II: produsul sau componenta are izolație dublă sau ranforsată. 13) Clasa de protecție III: produsul sau componenta permite alimentarea în siguranță la tensiune extra-joasă (<50 V c.a.; <120 V c.c.). 14) Dezizolați firul în modul indicat în pictogramă. 15) Firul de masă trebuie întotdeauna să fie mai lung decât firul maro de fază (L) și firul neutru albastru (N). 16) Utilizarea manșonului termorezistent furnizat este obligatorie pe porțiunile dezizolate ale firelor. 17) Produsul este adecvat numai pentru conectarea directă la rețeaua de alimentare electrică. 18) Conexiune X: În caz de

deteriorare a firului, acesta trebuie înlocuit cu un fir de același tip. - Conexiune Y: În caz de deteriorare a firului, acesta trebuie înlocuit numai de către producător, distribuitor sau un expert, pentru evitarea riscurilor. - Conexiune Z: Cablul extern flexibil al acestui corp de iluminat nu poate fi înlocuit. În situația în care cablul este deteriorat, corpul de iluminat trebuie distrus. 19) MAX. ...W: Utilizați numai becuri adecvate pentru acest produs și respectați puterea maximă specificată. 20) Produsul este adecvat numai pentru spoturi. 21) Produsul este adecvat numai pentru becuri CFL-i sau cu LED-uri (de ex. E14, E27, Gu10, Gx53 etc.) 22) Produsul nu este adecvat pentru becuri CFL-i sau cu LED-uri (de ex. E14, E27, Gu10, Gx53 etc.) 23) Pot fi utilizate numai becuri cu diametrul de 60 mm. În acest produs nu pot fi utilizate becuri cu diametrul de 45 mm. 24) Utilizați numai becuri de tip glob, având diametrul indicat. Nu utilizați niciodată becuri incandescente standard. 25) Acest produs este adecvat numai pentru becurile în formă de flăcără. 26) Acest produs este adecvat numai pentru becurile cu siguranță integrată sau cele de joasă presiune. Nu este necesară sticla suplimentară de siguranță. 27) Becurile tip capsulă și cele liniare cu halogen nu trebuie atinse cu mâna neprotejată. 28) Acest produs este prevăzut cu o siguranță. Dacă produsul nu mai funcționează după înlocuirea becului, siguranța internă trebuie înlocuită. Acest lucru trebuie efectuat de către un electrician calificat dacă există riscul de contact cu firele interne. 29) Luminozitatea produsului poate fi reglată cu potențiometrul furnizat sau cu un potențiometrul achiziționat separat, conectat la instalația electrică a clădirii. Pentru detalii, accesați adresa WIZconnected.com. Consultați un electrician calificat pentru a alege tipul adecvat de potențiometrul. 30) Produsul nu dispune de intensitate reglabilă. 31) Intensitatea produsului poate fi reglată NUMAI cu variatorul furnizat. Nu îl conectați la un variator suplimentar. 32) Caracteristica de reglabilitate depinde de becul ales. Mai multe informații despre caracteristicile de reglabilitate sunt disponibile în pachetul de informații furnizat împreună cu becul. 33) Produsul funcționează cu un transformator de siguranță. Înlocuiți transformatoarele defecte numai cu transformatoare având specificații tehnice identice. Consultați un electrician calificat sau magazinul de la care ați achiziționat produsul. 34) Produs pentru utilizare în condiții dificile. 35) Produs cu opțiuni de setare a orei și luminizității. Valorile minime și maxime sunt indicate pe pictogramă. 36) Produsul poate fi montat la o înălțime de maximum 6 m. 37) Pentru o funcționare fiabilă, este necesar să montați produsul la înălțimea specificată pe pictogramă. Aici sunt indicate, de asemenea, raza minimă și cea maximă de acțiune a detectorului. 38) Câmpul standard de acțiune al detectorului acoperă numărul de grade indicat pe pictogramă. 39) Acest produs trebuie montat orizontal. Pentru o perioadă mai lungă de viață, becul nu trebuie să aibă un unghi mai mare de 4 grade. 40) Asigurați-vă că nu perforați cablurile electrice sau alte obiecte din perete sau tavan în timpul instalării! 41) Dacă produsul este montat pe o casetă de tavan sau perete, este necesar să acoperiți mai întâi caseta cu un capac (de ex. în Olanda). 42) Cablurile electrice nu trebuie prinse sau răscucite niciodată între produs și suprafața de montare! 43) Unele părți ale produsului se pot înfărbănta. 44) Acest produs nu trebuie utilizat de către copii sub 5 ani. 45) Produsul este adecvat numai pentru persoanele cu vârsta de peste 2 ani. 46) Montați produsul în afara zonei de acțiune a brațelor (X1: pentru copii, X2: pentru adulți). 47) Produs care trebuie instalat de 2 persoane. 48) Pentru a evita coroziunea, curățați armăturile cu o cârpă moale și un detergent neutru cel puțin de două ori pe an. (În zonele de coastă sau industriale - de patru ori pe an). 49) Produsul poate fi reglat numai în timpul instalării, cu ajutorul unui instrument. 50) Atenție. Risc de șoc electric! Sursa de lumină din acest corp de iluminat trebuie înlocuită numai de producător sau de reprezentantul său de service sau o persoană ce deține calificări similare. 51) Sursă de lumină (numai LED) care poate fi înlocuită de utilizatorul final. 52) Sursă de lumină care poate fi înlocuită de utilizatorul final. 53) Sursă de lumină (numai LED) care trebuie înlocuită de un profesionist: Sursa de lumină cu LED conținută de acest corp de iluminat trebuie înlocuită numai de către producător, de către agentul său de service sau de către o persoană similar calificată. 54) Sursă de lumină care trebuie înlocuită de un profesionist: Sursa de lumină conținută de acest corp de iluminat trebuie înlocuită numai de către producător, de către agentul său de service sau de către o persoană similar calificată. 55) Sursă de lumină care nu poate fi înlocuită: Sursa de lumină din acest corp de iluminat nu poate fi înlocuită; când sursa de lumină atinge sfârșitul duratei sale de viață, trebuie înlocuit întregul corp de iluminat. 56) Echipament de control care poate fi înlocuit de utilizatorul final. 57) Echipament de control care trebuie înlocuit de un profesionist. 58) Echipament de control care nu poate fi înlocuit 59) Nu utilizați dispozitivul de control cu mâinile ude. În zone expuse direct la apă sau în exterior 60) Nu priviți direct la sursa de lumină în timpul funcționării

**Regulamentul privind etichetarea energetică (UE)2019/2015:** 61) Acest produs conține o sursă de lumină cu clasa de eficiență energetică A. 62) Acest produs conține o sursă de lumină cu clasa de eficiență energetică B. 63) Acest produs conține o sursă de lumină cu clasa de eficiență energetică C. 64) Acest produs conține o sursă de lumină cu clasa de eficiență energetică D. 65) Acest produs conține o sursă de lumină cu clasa de eficiență energetică E. 66) Acest produs conține o sursă de lumină cu clasa de eficiență energetică F. 67) Acest produs conține o sursă de lumină cu clasa de eficiență energetică G.

Acest produs este conceput și dezvoltat special pentru utilizare la domiciliu, exclusiv în condiții normale de funcționare. Durata de viață menționată pe ambalaj reprezintă o valoare medie (conform standardelor L70B50 și normelor IEC60969) și se bazează pe o utilizare medie de 3 ore de funcționare pe zi. Dacă întâmpinați dificultăți în utilizarea acestui produs, vă recomandăm să consultați, mai întâi, manualul de utilizare și informațiile pe de website-ul nostru. În limitele prezentelor clauze și condiții, noi, în calitate de producător (Signify Netherlands B.V., International Business Reply Service I.B.R.S. / C.C.R.I, Numéro 10461 5600 VB Eindhoven, Țările de Jos), garantăm că produsul nu prezintă defecte în ceea ce privește materialele și nici defecte de fabricație, pentru o perioadă de doi (2) ani de la data achiziției, cu excepția cazului în care în sau pe ambalajul produsului este menționată o altă perioadă și cu condiția ca produsul să fie utilizat în conformitate cu instrucțiunile de îngrijire și curățare specificate în manualul de utilizare. Cu excepția cazului în care prevederile legale în vigoare impun alte condiții, obligațiile care ne revin conform garanției se vor limita, la discreția noastră, fie la repararea produsului, fie la furnizarea unui produs înlocuit pentru produsul defect, fie la a vă oferi o despăgubire corespunzătoare pentru prețul de achiziție al produsului defect. (De)montarea și/sau (dez)instalarea și manopera, precum și sticla spartă, bateriile și becurile consumabile sunt excluse de la garanție. Măsurile de reparație luate de noi în baza garanției nu vor extinde și nici reinnoi perioada de garanție aplicabilă inițial. Avem dreptul, în zone discreționare, să înlocuim produsul defect acoperit de garanție cu un produs care prezintă mici diferențe de design și/sau specificații, fără a afecta funcționalitatea produsului. Pentru a formula o pretenție valabilă bazată pe această garanție, trebuie să ne furnizați (nouă sau reprezentantului nostru), la cerere, o dovadă adecvată a achiziției efectuate de dvs. și produsul defect, pentru a putea fi analizat. În limitele maxime permise de legislația în vigoare, această politică reprezintă întreaga noastră răspundere în calitate de producător în ceea ce privește produsele defecte sau neconforme. Nu răspundem în fața dvs. pentru alte pierderi sau daune indirecte (inclusiv, însă fără limitare, pierderi de date sau pierderi de venituri) și nici nu vă vom despăgubi pentru activități constând în mentenanță, salvarea ori recuperarea datelor. Drepturile legale ce vă revin conform legilor în vigoare nu sunt afectate de această garanție a producătorului furnizată voluntar. Dacă veți aduce produsul la service într-o altă țară decât cea în care ați achiziționat produsul, vom

incerca sã il riparim conform kondiçionil de garançie din fara in care açi achiziționat produsul.

### Pași de instalare

Pentru pașii detaliați, consultați manualul de instalare.

Lansați aplicația WIZ pentru a conecta produsul (consultați Ghidul de Inițiere rapidă pentru detalii suplimentare despre funcționarea aplicației WIZ).

### Garanție

Garanția face obiectul condițiilor stricte de utilizare. Pentru informații suplimentare, vizitați site-ul nostru web: <https://www.wizconnected.com/en/conNsumer/support/>

### Specificație tehnologie fără fir:

Banda de frecvențe a modului fără fir RF: 2400 – 2483,5 MHz

Putere maximă transmisă:

Wi-Fi: Max 20 dBm

Bluetooth: Max 10 dBm

Produsele nu trebuie utilizate cu variatoare. Pentru reglarea intensității luminoase, folosiți aplicația WIZ.

Funcționalitatea de pornire/oprire este disponibilă fără conectivitate Wi-Fi.

Prin prezentul document, Signify declară că tipul de echipament radio Corpuri de iluminat WIZ este adese în conformitate cu Directiva 2014/53/UE (RED). Textul complet al declarației de conformitate UE este disponibil la următoarea adresă de internet: [wizconnected.com](http://wizconnected.com)

Wi-Fi® și sigla Wi-Fi CERTIFIED sunt mărci comerciale înregistrate ale Wi-Fi Alliance.

Wi-Fi CERTIFIED™ și WPA2™, WPA3™ sunt mărci comerciale ale Wi-Fi Alliance.

Siglele și marca verbală Bluetooth® sunt mărci comerciale înregistrate deținute de Bluetooth SIG, Inc.

Amazon, Alexa și toate siglele asociate sunt mărci comerciale ale Amazon.com, Inc. sau ale afiliaților acestei companii.

Google este o marcă comercială a Google LLC. Siri este o marcă comercială a Apple Inc.

Utilizarea acestor mărci de către Signify face obiectul unei licențe.

Celelalte mărci comerciale și nume comerciale aparțin proprietarilor respectivi.

## SQ - UDHZIME T SA SIGURIS

Falemdirerit që po blini këtë produkt të WIZ, ne e vlerësojmë shumë zgjedhjen tuaj për markën WIZ dhe ju urojmë të keni një kënaqësi të madhe në përdorimin e produktit tuaj. Manuali B përmban përkufizime me ikona të parametrave dhe specifikimeve me gjasë të vlefshme i sipas normave dhe standardeve ndërkombëtare të sigurisë. Megjithatë, jo të gjitha mund të vlejnë për produktin e blerë - për ato që i referohen në mënyrë të veçantë produktit, referojuni ikonave në manualin A.

Përdhuesi këshillohet përdorimin e duhur të pajisjeve të ndriçimit! Kështu, për të garantuar instalimin dhe funksionimin e saktë dhe të sigurt të pajisjeve, ndiqni gjithmonë këto udhëzime, si dhe ruajuni ato për referencë në të ardhmen. Për zgjedhjen e mbërthyeses së duhur për montimin e sigurt të produktit, gjithmonë konsultohuni para praktikisht me një profesionist. Merrni në konsideratë peshën e produktit dhe materialin e sipërfaqes së montimit. Nëse keni dyshime, konsultohuni me një elektrikist të kualifikuar apo të licencuar ose kontaktoni me dyqanin. Sigurohuni që produkti të jetë i instaluar gjithmonë sipas rregullores përkatëse. Disa rregullore specifikojnë se produktet elektrike duhet të instalohe vetëm nga një elektrikist i licencuar (p.sh. pjesa P për MB, AS/NZS3000 IN për AUSTRALI /ZELANDË E RE). Gjithmonë ndërprini furnizimin me energji përpara instalimit, mirëmbajtjes ose aktiviteteve të riparimit. Vëzhgoni ngjyrën e duhur të instalimeve elektrike përpara instalimit: blu (N), bojëkafë (L) dhe, nëse ka klasë të mbrojtjes I, të verdhë/të gjelbrë (tokëzim). Montoni dritat e murit larg fëmijëve. Nëse produkti është i montuar në një sipërfaqe metalike, kjo sipërfaqe duhet të lidhet me përcuesin e tokëzuesit mbrojtës ose me përcuesin lidhës ekulipotencial të instalimit. Shtërngoni gjithmonë fort vidat e terminalit, sidomos lidhjet për instalimet elektrike me tension të ulët (12V) (nëse ka). Vidat e terminalit rekomandohen të kontrollohen rregullisht dhe të shtërngohen sërish vazhdimisht. Mbajni materialin e paketimit larg fëmijëve. (si p.sh. qeset plastike, ...) Pastrojini dritat e brendshme me një fshirëse të thatë pluhurash, mos përdorni gërryes apo tretës. Shmangni lëngjet në të gjitha pjesët elektrike. Ndëroni menjëherë kapakun e tejdukshëm të krisur ose të thyer dhe përdorni vetëm pjesë të miratuara nga prodhuesi. Rekomandohet vetëm përdorimi i llambave të firmës "WIZ".

Informohuni për sistemin lokal të hedhjes së mbeturinave, ndarjes dhe grumbullimit për produktet elektrike dhe elektronike dhe paketimin. Vepri në përputhje me rregullat lokale dhe mos e hidhni produktin e vjetër dhe paketimin me mbeturinat e zakonshme të shtëpisë. Hedhja e duhur e paketimit, produktit dhe/ose baterive do të ndihmojë në parandalimin e pasojave të mundshme negative për mjedisin dhe shëndetin njerëzor. Bateritë duhet të hidhen veçmas nga rryma e mbeturinave urbane nëpërmjet pikave të autorizuar të grumbullimit. Kur hidhni një produkt që përmban bateri që nuk ndërrohen nga përdoruesi, këto bateri duhet të hiqen nga një profesionist.

**KUJDES:** Më poshtë do të gjeni të gjitha shpjegimet me referencë përkatëse numerike për ikonat përpara këtyre udhëzimeve të sigurisë:

01) Kjo pajisje duhet të instalohe vetëm në ambiente të brendshme. 02) Produkti nuk është i përshtatshëm për instalim në banjë, sidomos në zonën e specifikuar. 03) Produkti nuk është i përshtatshëm për montim direkt në sipërfaqe lehtësisht të djegshme. 04) Produkti nuk është i përshtatshëm për t'u mbuluar me materiale izolimi termike. 05) Produkti është i përshtatshëm vetëm për montim në tavan. 06) Produkti është i përshtatshëm vetëm për montim në mur. 07) Produkti është i përshtatshëm për montim në mur ose në tavan. 08) Vëzhgoni gjithmonë distancën minimale, siç tregohet në ikonë, ndërmjet llambës dhe objektit të ndriçimit. 09) IPX1: Produkti është i mbrojtur nga pikimi i ujit. IPX3: Produkti mund të ekspozohet ndaj pikave të shiut (pikat bien në një kënd maksimal prej 60° në boshitjën vertikale). IPX4: Produkti është i mbrojtur nga spërkatjet: mund të ekspozohet ndaj spërkatjes së ujit që mund të vijë nga çdo drejtim (360°). IPX5: Produkti është i mbrojtur nga rrejdhet e ujit. IPX7: Produkti mund të instalohe në tokë. IPX8: Produkti është i mbrojtur nga zhjyta deri në thellësinë e përcaktuar. IPX9: Produkti është i mbrojtur nga pluhuri. IPX6: Produkti është i mbrojtur nga depërtimi i pluhurit. 10) Ndëroni menjëherë xhamin e armuar të krisur ose të thyer dhe përdorni vetëm pjesë me përbërje borosilikate të përmasave të njëjta, me një trashësi

minimale prej 3 mm.

- 11) Klasa e mbrotjes I: produkti ose përbërësi ka lidhje me tokëzim. Teli i tokëzimit (i verdhë/i gjelbër) duhet të lidhet me kontaktin e shënuar me shenjë në klasën I. 12) Klasa e mbrotjes II: produkti ose përbërësi ka izolim të dyfishtë ose të përfurcuar. 13) Klasa e mbrotjes III: produkti ose përbërësi është i përshtatshëm vetëm për furnizim me tension tejet të ulët të distancës (<50V.a.c.; <120V.d.c.). 14) Zhvishni telin sic tregohet në ikonë. 15) Teli i tokëzimit duhet të jetë gjithmonë mbi i gjatë se teli në ngjyrë bojëfaqe të çelur (L) dhe blu neutral (N). 16) Përdorimi i veshjes mbrotëse të lavave rezistentë ndaj nxehtësisë të ofruar duhet të jetë mbi gjatësitë e lavave të zhveshur. 17) Produkti është i përshtatshëm vetëm për instalimin elektrik direkt në furnizuesin kryesor elektrik. 18) - Lidhja X: Në rast se teli dëmtohet, duhet të zëvendësohet me një tel të të njëjtit lloj. - Lidhja Y: Në rast se teli dëmtohet, duhet të zëvendësohet vetëm nga prodhuesi, shpërndarësi ose nga një ekspert për të shmangur rreziqet. - Lidhja Z: Teli nuk mund të zëvendësohet. 19) MARKS: ...W: përdorimi vetëm llamba të përshtatshme për këtë produkt dhe mbajni brenda fuqisë elektrike maksimale të specifikuar. 20) Produkti është i përshtatshëm vetëm për llambat reflektuese. 21) Produkti është i përshtatshëm vetëm për CFL-I - ose llambat LED (p.sh. E14, E27, GU10, Gx53, ...) 22) Produkti nuk është i përshtatshëm për CFL-I - ose llambat LED (p.sh. E14, E27, GU10, Gx53, ...) 23) Mund të përdoret vetëm një llambë me diametër 60 mm. Llambat me diametër 45 mm nuk duhet të përdoren për këtë produkt. 24) Përdorimi vetëm llambat sferike që kanë përmasat e diametrit të përcaktuar. Mos përdorni asnjëherë një llambë inkandeshente standarde. 25) Produkti është i përshtatshëm vetëm për llambat në formë qiriri. 26) Produkti është i përshtatshëm vetëm për llambat me siguresë të integruar ose për llambat me tension të ulët. Nuk nevojitet xham fletër i armuar. 27) Llambat halogjene me kapsulë dhe ato lineare nuk duhet të preken pa doreza. 28) Produkti është i pajisur me një siguresë. Nëse produkti nuk funksionon me pas ndërrimit të llambës, atëherë duhet të ndërrohet siguresa e brendshme. Kjo gjë duhet të bëhet nga një elektrikist i kualifikuar nëse mund të krijohet kontakt me instalimin elektrik të brendshëm. 29) Produkti mund të arësohet përmes erësuesit të ofruar ose me erësuesin të lidhur me instalimin elektrik të shtëpisë (nuk ofrohet). Për referencë, vizitoni faqen "Wizconnected.com". Kontakti një elektrikist të kualifikuar për të zgjedhur llojin e duhur të erësuesit. 30) Produkti nuk erësohet. 31) Produkti erësohet VETËM me erësuesin e ofruar. Mos e lidhni me një erësues shtesë. 32) Veçoritë e zbehtësisë varen nga llamba e zgjedhur. Informacione të tjera rreth funksioneve të erësimit ofrohen në paketën e informacioneve që vjen me llambën. 33) Produkti funksionon me një transformator sigurie. Zëvendësojeni transformatorin e prishur vetëm me një transformator që ka të njëjtat specifike teknike. Konsultohuni me një elektrikist të kualifikuar ose me dyqanin. 34) Produkt për shërbim të qëndrueshëm. 35) Produkti përmban opsione të cilësiveve të kohës dhe dritës. Minimalja dhe maksimalja tregohen në ikonë. 36) Produkti mund të montohet në një lartësi maksimale prej 6 m. 37) Për funksionim të qëndrueshëm, produkti duhet të montohet në lartësinë e përcaktuar sic tregohet në ikonë. Njëkohësisht tregohet shtirja maksimale dhe minimale e detektorit. 38) Diapazoni i perceptimit të detektorit aktiv standard mbulon këndet e treguara në ikonë. 39) Produkti duhet të montohet horizontalisht. Për një jetëgjatësi më të gjatë, llamba nuk duhet të vendoset në një kënd më të madh se 4 gradë. 40) Sigurohuni mos të shpohi përmes telave elektrike ose pengesave të tjera në mur apo tavan gjatë instalimit! 41) Nëse produkti është i montuar në një kuti për tavan ose mur, është e detyrueshme që kutia të mbulohet fillimisht me një kapak. (p.sh. në Holandë) 42) Instalimet elektrike nuk duhet të ngatërohen apo të rrotullohen asnjëherë ndërmjet produktit dhe sipërfaqes së montimit! 43) Disa pjesë të produktit mund të nxehen. 44) Ky produkt nuk është i përshtatshëm për fëmijët nën moshën 15 vjeçare. 45) Produkti është i përshtatshëm vetëm për personat mbi 1.75 m. 46) Montojeni produktin në një distancë të paarrtshme (X1: për fëmijë, X2: për ritur). 47) Produkti do të instalohet nga 2 persona. 48) Për të shmangur gërryerjen, pastroni pajisjet me një leckë të butë dhe pastrues neutral të paktën dy herë në vit. (në zonat bregdetare ose industriale - katër herë në vit). 49) Produkti mund të përshtatet gjatë instalimit vetëm duke përdorur një vegël 50) Kujdes: Rrezik goditjeje elektrike! Burimi i dritës në këtë abazhur zëvendësohet vetëm nga prodhuesi ose nga agjenti i tij i shërbimit ose nga një person i ngjashëm i kualifikuar. 51) Burim drite (vetëm LED) që zëvendësohet nga përdoruesi fondor. 52) Burim drite që zëvendësohet nga përdoruesi fondor. 53) Burim drite (vetëm LED) që zëvendësohet nga një profesionist: Burimi i dritës LED në këtë abazhur zëvendësohet vetëm nga prodhuesi ose nga agjenti i tij i shërbimit ose nga një person i ngjashëm i kualifikuar. 54) Burim drite që zëvendësohet nga një profesionist: Burimi i dritës në këtë abazhur zëvendësohet vetëm nga prodhuesi ose nga agjenti i tij i shërbimit ose nga një person i ngjashëm i kualifikuar. 55) Burim drite që nuk zëvendësohet: Burimi i dritës i këtij abazhuri nuk mund të zëvendësohet; kur burimi i dritës arin fundin e jetëgjatësisë, do të zëvendësohet i gjithë abazhuri. 56) Pajisje kontrolli që zëvendësohet nga përdoruesi fondor. 57) Pajisje kontrolli që zëvendësohet nga një profesionist. 58) Pajisje kontrolli që nuk zëvendësohet 59) Mos e përdorni pajisjen e kontrollit me duar të lagura dhe në vende të ekspozuara drejtpërdrejt me ujë apo në ambiente të jashtme. 60) Mos e mbani shikimin nga burimi operues i dritës.

**Regullorja për etiketimin e energjisë (BE)2019/2015:** 61) Ky produkt përmban një burim drite me efikasitet energjie të klasës A.

62) Ky produkt përmban një burim drite me efikasitet energjie të klasës B. 63) Ky produkt përmban një burim drite me efikasitet energjie të klasës C. 64) Ky produkt përmban një burim drite me efikasitet energjie të klasës D. 65) Ky produkt përmban një burim drite me efikasitet energjie të klasës E. 66) Ky produkt përmban një burim drite me efikasitet energjie të klasës F. 67) Ky produkt përmban një burim drite me efikasitet energjie të klasës G.

Ky produkt është projektuar dhe zhvilluar posaçërisht vetëm për përdorim shtëpiak në kushte dhe operim normal. Jetëgjatësia e shënuar në paketim është vetëm një mesatare (në përputhje me standardet L70B50 dhe normat IEC60969) dhe bazohet në një mesatare prej 3 orë djeje në ditë. Nëse hasni ndonjë vështirësi në përdorimin e produktit, ju rekomandojmë që së pari të konsultoheni me manualin e përdoruesit dhe informacionin në faqen tonë të internetit. Në varësi të afateve dhe kushteve të këtij dokumenti, ne si prodhues (Signify Netherlands B.V., International Business Reply Service I.B.R.S. / C.C.R.I. Numëro 10461 5600 BV Eindhoven) garantojmë që produkti nuk ka defekte në materiale dhe prodhim, për një periudhë prej dy (2) vitesh pas datës së prodhimit, përveç nëse deklarohet një periudhë tjetër në ose mbi paketimin e produktit dhe me kusht mirëmbajtjen e produktit në përputhje me udhëzimet e kujdesit dhe pastrimit të përcaktuara në manualin e përdorimit. Përveç nëse dispozitat e ligjit në fuqi rregullojnë ndryshe, detyrimit tonaj sipas garancisë do të jenë të kufizuara, sipas zgjedhjes sonë, që të riparojmë apo sigurojmë një produkt zëvendësues për artikullin e dëmtuar ose të ofrojmë një kreditim të përshtatshëm për çmimin e blerjes së produktit të dëmtuar. (Ç)montimi dhe/ose (ç)instalimi dhe kostot e punës, si dhe qelqi i thyer, bateritë dhe llambat e zëvendësueshme përjashtohen nga garancia. Masat tona sipas garancisë nuk do të zgjasin ose rinovojnë periudhën fillestare të garancisë së zbatueshme. Sipas zgjedhjes sonë, ne kemi të drejtë ta zëvendësojmë produktin e dëmtuar që mbulohet nga garancia, me një produkt që ka devijime të vogla në dizajn dhe/ose specifike, të cilat nuk ndikojnë në funksionalitetin e produktit. Në mënyrë që të kemi të drejtë për të ngritur një pretendim të vlefshëm sipas kësaj garancie, ju duhet të paraqisni pranë nesh (ose përfaqësuesit tonë) sipas kërkesës, një faturë të përshtatshme të blerjes suaj dhe produktin të dëmtuar për analizë. Në masën maksimale të lejuar nga ligji në fuqi, ...

Kjo politikë përcakton përgjegjësinë tonë të plotë si prodhues, në lidhje me produktet e demtueshme ose me më- përpunueshmërinë e tyre. Në nuk do të mbajmë as përgjegjësi për humbje të tjera ose dëmtime indirekte ose pasuese (duke përfshirë, por pa u kufizuar në humbjen e të dhënave ose të ardhurave), as nuk do t'ju kompensojmë për veprime të tilla si mirëmbajtja e rregullt, ruajtja ose rivendosja e të dhënave. Të drejtat tuaja që rrjedhin nga ligji në fuqi nuk ndikohen nga kjo garanci e ofruar vullnetarisht nga prodhuesi. Nëse ju e jepni produktin për servis në një shtet të ndryshëm nga ai ku e keni blerë atë, ne do të përipiqemi që produkti juaj t'i nënshtrohet servisit përkundrejt kushteve të garancisë së shtetit ku produkti është blerë.

### Hapat e instalimit

Referojuni manualit të instalimit për detajet e hapit.

Hapni aplikacionin WIZ për ta lidhur produktin (Referojuni Udhëzuesit të fillimit të shpejtë për më shumë detaje për më përdorimin e aplikacionit WIZ).

### Garancia

Garancia është objekt i kushteve të rrepta të përdorimit, për më shumë informacione, vizitoni faqen tonë të internetit:

<https://www.wizconnected.com/en/consumer/support/>

### Specifikimet me valë:

Brezi i frekuencës së modalitetit RF me valë - 2400-2483,5 MHz

Fuqia maksimale e transmetuar:

Wi-Fi: Maks. 20 dBm

Bluetooth: Maks. 10 dBm

Produktet nuk duhet të përdoren me errësues, për funksionin e errësimit përdorni aplikacionin WIZ.

Funksioni i ndezjes/fikjes është i disponueshëm pa lidhjen Wi-Fi.

Përmes kësaj, Signify deklaron se lloji i pajisjes së radiovalëve i Abazhurëve WIZ është në përputhje me Direktivën 2014/53/BE(RED), Teksti i

plotë i deklaruarës së konformitetit të BE-së është i disponueshëm në adresën e mëposhtme të internetit: [wizconnected.com](http://wizconnected.com)

Wi-Fi® dhe logoja Wi-Fi CERTIFIED janë marka tregtare të regjistruara të Wi-Fi Alliance.

Wi-Fi CERTIFIED™ dhe WPA2™, WPA3™ janë marka tregtare të Wi-Fi Alliance.

Fjala dhe logot e Bluetooth® janë marka tregtare të regjistruara në pronësi të Bluetooth SIG, INC.

Amazon, Alexa dhe të gjitha logot përkatëse janë marka tregtare të Amazon.com, Inc ose të filialeve të sa.

Google është një markë tregtare e Google LLC, Siri është një markë tregtare e regjistruar e Apple Inc.

Çdo përdorim i këtyre markave nga Signify është sipas licencës.

Markat tregtare dhe emrat tregtarë të tjerë janë të pronarëve të tyre përkatës.

## LV – DROŠIBAS INSTRUKCIJAS

Pateicamies par šī WIZ produkta iegādi. Mēs augstu novērtējam, ka izvēlējāties WIZ zīmolu un vēlam jums izbaudīt tā lietošanu. Šajā rokasgrāmatā B iekļautas visas potenciālās piemērojamās parametru un specifiskāciju definīcijas ar ikonām atbilstoši starptautiskajiem normatīviem un drošības standartiem. Taču ne visi, iespējams, attiecas uz jūsu iegādāto produktu – lūdz, skatiet ikonas papildu rokasgrāmatā A, kas attiecas tieši uz šo produktu.

Ražotājs iesaka pareizu gaismekļu izmantošanu! Tādēļ, lai nodrošinātu, ka gaismekļi tiek uzstādīti un lietoti pareizi un droši, noteikti ievērojiet šos norādījumus. Sauglabājiet tos arī turpmākajā uztīnā. Pirms pareizā stiprinājuma izvēles drošai produkta uzstādīšanai vienmēr konsultējieties ar speciālistu. Nemiet vērā produkta svaru un uzstādīšanas virsmas materiālu. Ja radušās šaubas, sazinieties ar kvalificētu vai licencētu elektrīķi vai veikalū. Nodrošiniet, ka produkts vienmēr ir uzstādīts atbilstoši piemērojamajiem noteikumiem. Konkrēti noteikumi nosaka, ka elektriskie produkti jāuzstādā tikai licencētam elektrīķim (piem., P daļa Apvienotajā Karalistē, AS/NZS3000 IN Austrālijā/Jaunzēlandē). Pirms uzstādīšanas, apkopes vai remonta vienmēr izslēdziet strāvas padevi. Pirms uzstādīšanas fiksējiet atbilstošu vadoma krāsu: zila (N), brūna (L), un, ja ir aizsardzības klase, dzeltena/zaļa (zemējums). Uzstādiēt sienas gaismekļus bērniem nepieļaujama vietā. Ja produkts tiek uzstādīts uz metālisks virsmas, šai virsmai jābūt pieslēgtai aizsargzemejumam vai instalācijas ekvipotenciālam pievienotam vadītājam. Vienmēr cieši pievelciet spaļu skrūves, īpaši zemsprieguma vadoma piederumiem (12 V) (ja piemērojams). Īpaši ieteicams ik pa laikiem regulāri pārbaudīt un atkārtoti pievilkīt spaļu skrūves. Glabājiet iepakojuma materiālus vietā, kur tiem nevar piekļūt bērni. (Piem., plastmasas maisīnus u.c.) Iekšējo apgaismojumu tiriet ar sausu drānu, neizmantojiet abrazīvu līdzekļus vai šķīdinātājus. Raugieties, lai uz elektriskajām daļām nenokļūst šķidrums. Nekavējoties nomainiet leplaisājus vai bojātu caurspīdīgu pārsegu, un izmantojiet tikai ražotāja apstiprinātās detaļas. Ieteicams izmantot tikai "WIZ" spuldes.

Lūdz, iepazīstieties ar informāciju par vietējo atkritumu likvidēšanas, nošķiršanas un savākšanas sistēmu elektriskām un elektroniskām precēm un iepakojumiem. Rīkojieties atbilstoši vietējiem noteikumiem un nelikvidējiet nolietotos izstrādājumus un iepakojumus kopā ar parastajiem sadzīves atkritumiem. Izstrādājuma un/vai bateriju pareiza likvidēšana palīdzēs novērst iespējamo nelabvēlīgo ietekmi uz vidi un cilvēku veselību. Baterijas jālikvidē atsevišķi no pašvaldību atkritumu plūsmas ar šim nolūkam īpaši paredzētu savākšanas uzņēmumu starpniecību. Likvidējot produktū, kas satur baterijas, kuras lietotājs nevar nomainīt, profesionālim ir jāizņem šīs baterijas.

**UZMANĪBU:** tālāk sniegti visi pakaidrojumi ar numurētām atsaucēm uz attiecīgajām ikonām šo drošības instrukciju sākumā:

01) Produkts drīkst uzstādīt tikai iekštelpās. 02) Produkts nav piemērots uzstādīšanai vannasistabās, pavisam noteikti norādītājā zonā.

03) Produkts nav piemērots tiešai uzstādīšanai uz parasti izslēdzamojām virsmām. 04) Produkts nav piemērots pārklāšanai ar termoizolējošu materiālu. 05) Produkts ir piemērots tikai uzstādīšanai pie griestiem. 06) Produkts ir piemērots tikai uzstādīšanai pie sienas.

07) Produkts ir piemērots uzstādīšanai pie sienas vai pie griestiem. 08) Vienmēr nemiet vērā minimālo attālumu, kas norādīts ikonā, starp gaismekli un apgaismojo objektu. 09) IPX1: Produkts ir aizsargāts pret ūdens pilēšanu. IPX3: Produkts var pakļaut lietuslāšēm (krītošas lāses i

maksimālā leņķī 60° līdz vertikālai asij). IPX4: Produkts ir izturīgs pret šļakstiem: to var pakļaut ūdens šļakstiem no jebkura virziena (360°).



IPX5: Produkts ir aizsargāts pret ūdens strūklu. IPX7: Produkta iespējams uzstādīt uz zemes. IPX8: Produkts ir aizsargāts pret iegremdēšanu līdz norādītajam dziļumam. - IP5X: Produkts ir aizsargāts pret putekļiem. IP6X: Produkts ir nobīvēts pret putekļiem. 10) Nekavējoties nomainiet spalpiņas vai bojātu drošības stiklu un izmantojiet tikai norādītajā detaļās ar tādiem pašiem izmēriem, ar minimālo biežumu 3 mm. 11) Aizsardzības klase: produktam vai komponentam ir zemējuma savienojums. Zemējuma vadus (dzeltenis/zaļš) ir jāpievieno spaiļei ar marķējumu 1 aizsardzības klase. 12) 1) Aizsardzības klase: produktam vai komponentam ir dubulta vai pastiprinātā izolācija. 13) 11) aizsardzības klase: produkts vai komponents ir piemērots tikai īpaši zema sprļeguma strāvas padevei (<50 V maistr.: <120 V līdzstr.) 14) Atsevišķi vadu, kā norādīts ikonā. 15) Zemējuma vadam vienmēr jābūt garākam nekā brūnajam strāvas (L) un zilajam neitrālajam (N) vadam. 16) Piegādātā siltumizturīgā apvalka izmantošana ir nepieciešama neatsegtajā vada garumā. 17) Produkts ir piemērots tikai tiešai pieslēgšanai pie elektriskā. 18) - X-savienojums: vada bojājuma gadījumā tas ir jānomaina ar tādu pašu vadu. - Y-savienojums: vada bojājuma gadījumā, tas jānomaina rotācijam, izplattācijai vai speciālistam, lai novērstu risku. - Z-savienojums: šī gaismekļa ārējo loka kabeli vai vadu nevar nomainīt. Ja vads ir bojāts, gaismeklis ir jānomaina. 19) MAKS...W: izmantojiet tikai šim produktam paredzētas spuldes, kas nepārsniedz maksimālo norādīto jau du vadus. 20) Produkts ir piemērots tikai reflektorspuldeim. 21) Produkts ir piemērots tikai CFL-i vai LED spuldzēm (piem., E14, E27, Gu10, Gx53,...) 22) Produkts nav piemērots tikai CFL-i vai LED spuldzēm (piem., E14, E27, Gu10, Gx53,...) 23) Var izmantot tikai, spuldzi ar 60 mm diametru. Šim produktam nevar izmantot spuldzi ar 45 mm diametru. 24) Izmantojiet tikai apaļu spuldzi ar norādīto diametru. Nekad neizmantojiet standartā kvēlspuldzi. 25) Šis produkts ir piemērots tikai svences veida spuldzēm. 26) Šis produkts ir piemērots tikai spuldzei ar iebūvētu aizsardzību vai zema spiediena spuldzei. Nav nepieciešams papildu drošības stikls. 27) Kapsulas un lineārās halogēna spuldes nedrīkst aizskart ar kāliam krāsojam. 28) Produkts ir aprīkots ar drošinātāju. Ja produkts nedarbojas pēc spuldze nomainas, jānomaina iekšējās drošinātājs. Tas jādara kvalificētam elektrīķim, ja iespējams izveidot kontaktu ar iekšējo vadojumu. 29) Produkts ir aptumšojams, izmantojot piegādāto reostatu vai (nav iekļauts) mājokļa elektroinstalācijai pievienotu reostatu. Uzziņām, lūdzam, apmeklējiet vietni "WiZconnected.com". Konsultējieties ar kvalificētu elektrīķi, lai izvēlētos atbilstošu reostata tipu. 30) Produkts nav laptumšojams.

B) Produkta iespējams aptumšot TIKAI ar piegādāto reostatu. Nepievienojiet papildu reostatu. 32) Aptumšošanas iespējas ir atkarīgas no izvēlētajās spuldzēs. Plašāka informācija par aptumšošanas iespējām ir pieejama spuldzītes komplektācijā iekļautajā produkta informācijas paketē. 33) Produkts darbojas ar drošības strāvas pārvēdotāju. Nomainiet bojātu pārvēdotāju tikai pret pārvēdotāju ar identiskām tehniskajām specifikācijām. Konsultējieties ar kvalificētu elektrīķi vai savu tirdzniecības vietu. 34) Triecienizturīgs produkts. 35) Produkts ar laiku un gaismas iestatījumu aprāp. Minimālā un maksimālā vērtība ir norādīta ikonā. 36) Produkta iespējams uzstādīt maksimāli 6 m augstumā. 37) Uzstācīmai darbināt vajag uzstādīt produktu norādītajā augstumā, kā norādīts ikonā. Norādīts arī detektora maksimālais un minimālais sniegums. 38) Detektora standarta aktīvais redzamības diapazons nosedz ikonā norādītos grādus. 39) Šis produkts ir jāuzstāda horizontāli. Ilgākam kalpošanas laikam spuldze nedrīkst radziesien lenķi, kas lielāks par 4 grādiem. 40) Veicot urbumus uzstādīšanas laikā, pārbaudiet, vai neizsakar sienā vai grieštos izvietotos elektrības vadus vai citus objektus. 41) Ja produkts ir uzstādīts griestu kārbā vai sienas kārbā, vispirms obligāti kārbai jāuzliek vāciņš (piem., Nīderlandē) 42) Starp produktu un montāžas virsmu nedrīkst pieprasīt vai savērt elektrisko vadojumu 43) Šī produkta daļas var uzskatīt. 44) Šis produkts nav piemērots bērniem līdz Y gadiem. 45) Produkta drīkst lietot tikai personām, kas vecākas par Y gadiem. 46) Uzstādīt produktu ārpus sniedzamības (X1: bērniem, X2: pieaugušajiem). 47) Produkts ir jāuzstāda 2 personām. 48) Lai izvairītos no korozijas, vismaz divas reizes gadā notīriet armatūru ar mīkstu drāniņu un neitrālu mazgāšanas līdzekli. (piekrastes vai rūpniecības zonas - četras reizes gadā). 49) Produktu var iestātī instalācijas laikā, izmantojot darbarīku. 50) Uzmani: (piekrastes trieciena risks) Šajā gaismeklī ievieto gaismas avotu drīkst mainīt tikai rotāzājs vai viņa servisa pārstāvis, vai arī līdzi kvalificēta persona. 51) Galalietotājam nomaināms (tikai LED) gaismas avots. 52) Galalietotājam nomaināms gaismas avots. 53) Speciālistam nomaināms (tikai LED) gaismas avots: šajā gaismeklī esošā LED gaismas avota nomaipju veic tikai rotāzājs vai tā tehniskās apkopes pārstāvis, vai persona ar līdzi kvalificēti. 54) Speciālistam nomaināms gaismas avots: šajā gaismeklī esošā gaismas avota nomaipju veic tikai rotāzājs vai tā tehniskās apkopes pārstāvis, vai persona ar līdzi kvalificēti. 55) Nenomaināms gaismas avots: šajā gaismeklī esošo gaismas avotu nomaipju veic tikai rotāzājs vai tā tehniskās apkopes pārstāvis, vai persona ar līdzi kvalificēti. 56) Nenomaināms gaismas avots: šajā gaismeklī esošo gaismas avotu nomaipju veic tikai rotāzājs vai tā tehniskās apkopes pārstāvis, vai persona ar līdzi kvalificēti. 57) Speciālistam nomaināms gaismas avots: šajā gaismeklī esošo gaismas avotu nomaipju veic tikai rotāzājs vai tā tehniskās apkopes pārstāvis, vai persona ar līdzi kvalificēti. 58) Nenomaināms gaismas avots: šajā gaismeklī esošo gaismas avotu nomaipju veic tikai rotāzājs vai tā tehniskās apkopes pārstāvis, vai persona ar līdzi kvalificēti. 59) Nenomaināms gaismas avots: šajā gaismeklī esošo gaismas avotu nomaipju veic tikai rotāzājs vai tā tehniskās apkopes pārstāvis, vai persona ar līdzi kvalificēti. 60) Nenomaināms gaismas avots: šajā gaismeklī esošo gaismas avotu nomaipju veic tikai rotāzājs vai tā tehniskās apkopes pārstāvis, vai persona ar līdzi kvalificēti.

**Energomarķējuma regula (ES) (2019/2015):** 61) šis ražojums satur gaismas avotu, kura energoefektivitātes klase ir A. 62) šis ražojums satur gaismas avotu, kura energoefektivitātes klase ir B. 63) šis ražojums satur gaismas avotu, kura energoefektivitātes klase ir C. 64) šis ražojums satur gaismas avotu, kura energoefektivitātes klase ir D. 65) šis ražojums satur gaismas avotu, kura energoefektivitātes klase ir E. 66) šis ražojums satur gaismas avotu, kura energoefektivitātes klase ir F. 67) šis ražojums satur gaismas avotu, kura energoefektivitātes klase ir G. Šis produkts ir īpaši paredzēts un radīts tikai mājās lietošanai un darbināt normālos apstākļos. Uz lepakoju norādītais darbmūžs ir tikai vidējais rādītājs (saskaņā ar standartu L70B50 un IEC60969 nosacījumiem), kas ir balstīts uz vidēju 3 stundu izmantošanu dienā. Ja rodas jebkādas grūtības, izmantojot šo produktu, iesakām vispirms skatīt lietotāja rokasgrāmatu un informāciju mūsu tīmekļa vietnē. Saskaņā ar šiem noteikumiem un nosacījumiem mēs kā rotāzājs (Signify Netherlands BV, International Business Reply Service I.B.R.S. / C.C.R.I. Numérol 10461 5600 VB Eindhoven, Nīderlandē) garantējam, ka divus (2) gadus pēc iegādes produktam neparedzams materiālu un ražošanas defekti, ja vien iepakojumā vai uz tā nav norādīts citi laika posms, kā arī ja apkope tiek veikta saskaņā ar apkopes un tīrīšanas norādēm, kas sniegtas lietotāja rokasgrāmatā. Ja vien piemērojamu tiesību aktu noteikumi nenosaka citādi, mūsu pienākumi saskaņā ar garantiju ir ierobežoti un pakļauti mūsu izvēlei attiecībā uz remonta veiksānu, bojātā produkta aizvietošanu vai kredīta piedāvājumu pirkuma cenas apmērā. (De)montāžas un/vai uzstādīšanas un noņemšanas, kā arī pilsūsa stikla, akumulatoru un noņemamu spuldžu izmaksas garantija neietver. Mūsu kompensācijas saskaņā ar garantiju nepagarinās un neatjauno piemērojamu garantijas periodu. Pēc mūsu izvēles mums ir tiesības garantijas ietvaros nomainīt bojāto produktu ar tādu produktu, kas ir neapaudz atšķirīgs dizaina un/vai specifikāciju ziņā, kas neietekmē funkcionalitāti. Lai iegūtu tiesības iesniegt pieprasījumu saskaņā ar šo garantiju, jums pēc pieprasījuma jāiesniedz mums (vai mūsu pārstāvim) atbilstoša pirkuma kvīts un bojātās produkta analīze. Ciktāl to pieļauj piemērojamie tiesību akti, šī politika izklāsta visu mūsu kā rotāzāja atbildību saistībā ar bojājumiem vai neatbilstošiem produktiem. Mēs nebusim atbildīgi par citiem zaudējumiem vai netiesiem vai izstrisēm zaudējumiem (tostarp, bet ne tikai, par citu datu vai ienākumu zaudējumiem), kā arī nekompensēsim tādas darbības kā regulāra apkope, datu saglabāšana vai atjaunošana. Jūs būtības saskaņā ar piemērojamajiem tiesību aktiem šī brīvprātīgi sniegtā rotāzāja garantija heietekmē. Ja savu produktu iesniedzat valstī, kas nav valsts, kurā to iegādājāties, mēs centisimies nodrošināt apkopi saskaņā ar tiem garantijas nosacījumiem, kas izsniegti valstī, kurā produktu iegādājāties.

## Uzstādīšanas darbības

Detalizētu darbību aprakstu, lūdzu, skatiet uzstādīšanas rokasgrāmatā.

Palaidiet WIZ lietotni, lai pievienotu izstrādājumu (Sīkākai informācijai par WIZ lietotnes darbību skatiet Ātras darba uzsākšanas rokasgrāmatu).

## Garantija

Ūz garantiju attiecas stingri lietošanas noteikumi, sīkākai informācijai, lūdzu, apmeklējiet mūsu tīmekļa vietni:

<https://www.wizconnected.com/en/consumer/support/>

## Bezvadu specifikācija:

Bezvadu RF režīma frekvenču josta: 2400 – 2483,5 MHz

Maksimālā pārraidītā jauda:

Wi-Fi: maks, 20 dBm

Bluetooth: maks, 10 dBm

Produktus nevaradzēt lietot kopā ar reostatīem; apgaismojuma samazināšanai izmantojiet WIZ lietotni.

Ieslēgšanas/izslēgšanas funkcionalitāte pieejama bez bezvadu pieslēguma.

Signify ar šo paziņo, ka radioiekārtu tipa WIZ gaismekļi atbilst direktīvas 2014/53/ES(RED) prasībām. ES atbilstības deklarācijas pilnais teksts ir pieejams šajā interneta adresē: [wizconnected.com](http://wizconnected.com)

Wi-Fi\*, Wi-Fi CERTIFIED logotips ir Wi-Fi Alliance reģistrētas preču zīmes.

Wi-Fi CERTIFIED™, WPA2™, WPA3™ ir Wi-Fi Alliance preču zīmes.

Bluetooth® nosaukums un logotipi ir reģistrētas preču zīmes, kas pieder Bluetooth SIG,INC.

Amazon, Alexa un visi saistītie logotipi ir Amazon.com, Inc vai tā filiāļu preču zīmes.

Google ir Google LLC preču zīme. Siri ir Apple Inc. reģistrēta preču zīme.

Jebkuru šādu zīmi Signify izmanto saskaņā ar licenci.

Citas preču zīmes un preču nosaukumi pieder to attiecīgajiem īpašniekiem.

## LT - SAUGOS INSTRUKCIJA

Dekojam, ka jūs igijote šj „Wiz” gaminj, mes labai džiaugiamės, ka pasirinkote „WIZ” prekij ženklj ir linkime jums daug džiugij akimirij j naudojant. Šlame B vadove pateikiami visj galimj parametrij apibrėzimai ir specifikacijos su piktogramomis, kaip to reikalauja tarptautiniai normj ir saugos standartai. Ne visi jie gali btij taikomi jūsų igijgtam gaminiui, todėl peržiūrėkite papildomame A vadove nurodytas piktogramas, kurios taikomos bntent jūsų gaminiui.

Gamintojas pataria tinkamai naudoti šviestuvus! Todėl visada laikykitės šių nurodymj, ka užtikrintumėtė tinkamj ir saugj šviestuvo įrengimą bei veikimą, ir laikykitė juos tam atvejui, jei jį prireiktj ateityje. Norėdami išsirkinti tinkamj laikiklį ir saugiai pritvirtinti gaminj, visada iš anksto pasikonsultuokite su profesionalu. Atkreipkite dėmesij j gaminio svorj ir tvirtinimo paviršiaus medžiaga. Jei abejojate, pasikonsultuokite su kvalifikuotu elektriku arba kreipkitės j parduotuvė, kurioje pirkoite. Būtina užtikrinti, ka gaminys btyj montuojamas pagal galiojančias taisykles. Pagal kai kuriuos reikalavimus, elektros gaminius gali montuoti tik kvalifikuoti elektrikai (pvz., JK skirta P dalis, IAS/NZS3000 IN skirta AUSTRALIJAI / NAUJAJAI ZELANDIJAI). Prieš pradėdami montuoti, atitiktj techninę priežiūrj arba remontj, visada išjunkite maitinimo elektros. Prieš pradėdami montuoti atkreipkite dėmesij j laidj spalvas: mėlyna (N), ruda (L) ir. Jei saugos klasė yra I, geltona / žalia (žemėjimo). Sienines lempas montuokite vaikams nepasiekiamoje vietoje. Jei gaminj tvirtinate prie metalinio paviršiaus, iš paviršiaus turi liestis su apsauginiu žemėjimo laidu arba su atitinkamu montavimo laidu. Visada tvirtai priverkite gnybtj varžtus, ypač prijungdami žemos įtampos laidus (12 V) (jei yra). Bėgant laikui rekomenduojame reguliariai tikrinti ir iš naujo priveržti gnybtj varžtus. Pakavimo medžiagas laikykitė vaikams nepasiekiamoje vietoje (pvz., plastikinius maišelius...). Dulkes nuo vidaus apšvietimo objektj valykite sausa ljuoste ir nenaudokite abrazyviųjų dalelij turinčij valiklij ar tirpiklij. Stenkitės, ka šviesj nepateiktj ant elektrinij dalių.

Ne dėsdami pakeiskite įskilusj arba sudužusj skaidrj gaubtj ir naudokite tik gamintojo patvirtintas dalis. Rekomenduojame naudoti tik LWiZ lemputes.

Į Susipažinkite su vietine elektros ir elektroninij gaminiuj bei pakuočių atliekij šalinimo, rūšavimo ir surinkimo sistema. Laikykitės vietinij taisyklių ir neišmeskite seno gaminio bei pakuočės kartu su įprastomis buitinėmis atliekomis. Tinkamas pakuočės, gaminio ir (arba) baterijj įšmetimas padės išvengti galimj neigiamj pasekmių aplinkai ir žmonių sveikatai. Baterijos turi btij išmestos atskirai nuo komunalinij atliekij srauto tam skirtais surinkimo įrenginiais. Išmetant gaminj, kuriame yra naudotojo nekeičiamj baterijj, naudotojų nekeičiamas baterijas turi išimti profesionalas.

**DĖMESIO!** Toliau pateikiami paaiškinimai su skaitinėmis nuorodomis j atitinkamas piktogramas šių saugos instrukcijj pradžioje: 01) Gaminys gali btij montuojamas tik viduje. 02) Gaminys netinka vonioms, ypač nurodytoje zonoje. 03) Gaminio negalima tvirtinti tiesiogiai prie įprastj degių paviršių. 04) Gaminys negali btij uždengiamas šilumj izoliuojančia medžiaga. 05) Gaminys gali btij montuojamas tik ant lubų. 06) Gaminys gali btij montuojamas tik ant sienos. 07) Gaminys gali btij montuojamas ant sienos arba lubų. 08) Visada atkreipkite dėmesij j piktogramoje nurodytj mažiausj atstumj nuo lempos iki apšvietiamo objekto. 09) IPX1: gaminys apsaugotas nuo lašančio vandens. IPX3: ant gaminio gali kristi lietaus lašai (jei lašai krinta maks. 60° kampu vertikaliais ašies atžvilgiu). IPX4: gaminys apsaugotas vandeniui: vanduo ant jo gali tikėti bet kokia kryptimi (360°). IPX5: gaminys apsaugotas nuo vandens čiurkšių. IPX7: gaminys gali btij montuojamas grindinyje. IPX8: gaminys apsaugotas nuo panardinimo iki nurodyto lygio. • IP5X: gaminys apsaugotas nuo dulkių. IP6X: gaminys nepralaidus dulkeis. 10) Ne dėsdami pakeiskite pažeistj saugos stiklį ir naudokite tik borosilikatinės tų pačių matmenų dalis, kurių minimalus storis 3 mm. 11) I saugos klasė: gaminys arba komponentas turi žemėjimo jungtj. Įžemėjimo laidas (geltonas / žalias) turi btij prijungtas prie gnybto, kuris pažymėtas. 12) II saugos klasė: gaminys arba komponentas turi dvigubj laidj subvirtintj izoliacija. 13) III saugos klasė: gaminys arba komponentas tinkamas tik tiektant saugij ypač žemj įtampj (<50 V AC, <120 V DC). 14) Pašalininkite izoliacinj laidj sluoksnj, kaip parodyta piktogramoje. 15) Įžemėjimo laidas privalo visada btij ilgesnis už rudajj laidj, kuriuo teka srovė (L), ir mėlynajj \_ \_ \_ 56

neūtrintųjų (N) laidų. 16) Laidai, kurių izoliacinis sluoksnis buvo pašalinintas, turi būti apsaugoti naudojant pridedamą karščiuo atsparią movą. 17) Gaminys gali būti jungiamas tik tiesiogiai prie elektros maitinimo tiekimo sistemos. 18) - X jungtis: jei laidas būtų pažeistas, jis turi būti pakeistas tokio pat tipo laidu. - Y jungtis: jei laidas būtų pažeistas, siekiant apsaugoti nuo rizikos, jį pakeisti gali tik gamintojas, platintojas arba kvalifikuotas specialistas. - Z jungtis: išorinis šio šviestuvo slenkstis laidas arba kabelis yra nekeičiamas. Jei laidas pažeistas, šviestuvą turi būti išmestas. 19) MAKS...W: naudokite tik šiam gaminiui tinkančias lemputes ir neviršykite didžiausio nurodyto galios. 20) Gaminys gali būti naudojamas tik su reflektorinėmis lemputėmis. 21) Gaminys gali būti naudojamas tik su CFL-1 arba LED lemputėmis (pvz., E14, E27, Gu10, Gx53...) 22) Gaminys negali būti naudojamas su CFL-1 arba LED lemputėmis (pvz., E14, E27, Gu10, Gx53...) 23) Gali būti naudojamos tik lemputės, kurių skersmuo 60 mm. Šiame gaminyje draudžiama naudoti lemputes, kurių skersmuo 45 mm. 24) Galima naudoti tik apvalias nurodyto skersmens lemputes. Niekada nenaudokite standartines kaitrines lemputes. 25) Gaminys gali būti naudojamas tik su žvakės formos lemputėmis. 26) Gaminys gali būti naudojamas tik su lemputėmis, kuriose integruota apsauga, arba žemo slėgio lemputėmis. Papildomas apsauginis stiklas nebūtinai. 27) Kapsulines ir paigas halogenines lemputes draudžiama liesti plikomis rankomis. 28) Gaminys turi saugikli. Jei pakeitus lemputę gaminys neveikia, būtina pakeisti vidinį saugiklį. Jei yra kontaktas su vidiniais laidais grėsme, darbus turi atlikti kvalifikuotas elektrikas. 29) Gaminio švišes srautas gali būti reguliuojamas pridedamu regulatoriumi arba (nepriedamam), regulatoriumi, kuris montuojamas namų elektros instaliacijoje. Daugiau informacijos rasite apsilankę svetainėje WiZconnected.com. Pasikonsultuokite su kvalifikuotu elektriku ir išsirenkite tinkamą regulatoriaus tipą. 30) Gaminio švišes srautas nėra reguliuojamas. 31) Gaminio švišes srautas gali būti reguliuojamas TIK pridedamu regulatoriumi. Draudžiama prijungti papildomą regulatorių.

32) Pritemdymo lygio funkcijos priklauso nuo pasirinktos lemputės. Daugiau informacijos apie pritemdymo lygio funkcijas galima rasti informaciniame pakuočiame, pateikiamame kartu su lempute. 33) Gaminys veikia naudojamas apšviesti transformatorių. Neveikiant transformatorių pakeikite tik identiškių techninių duomenų transformatorių. Pasikonsultuokite su kvalifikuotu elektriku arba kreipkitės į parduotuvę, kurioje pirkote. 34) Gaminys, skirtas atšiaurioms sąlygoms. 35) Gaminys, kuriame galima reguliuoti laiką ir apšvietimo nustatymus. Minimalus ir maksimalus nurodyti piktogramoje. 36) Aukščiausias gaminys gali būti montuojamas iki 6 m. 37) Kad gaminys veiktų patikimai, jis turi būti montuojamas nurodytame aukštyje, kaip tai parodyta piktogramoje. Taip pat yra nurodytas didžiausias ir mažiausias atstumas, kuriuo detektorius gali aptikti. 38) Standartinis aktyvus detektoriaus matomumo diapazono kampas yra nurodytas piktogramoje. 39) Gaminys turi būti montuojamas horizontaliai. Kad eksploatavimo laikas būtų ilgesnis, lemputė neturėtų būti pasvirusi didesniu nei 4 laipsnių kampu. 40) Įsitikinkite, kad montuodami nepragrešite elektros laidų ar kitų kliūčių sienose arba lubose! 41) Jei šviestuvą montuojate ju būna arba sienos dežutėje, pirmiausia už dežutę turite uždenkti dangtelį (pvz., Nyderlanduose). 42) Elektros laidai negalima suspausti ar apskuti aplink gaminį ir tvirtinimo paviršių! 43) Šio gaminio dalys gali būti įkaitusios. 44) Šis gaminys netinka vaikams iki Y metų. 45) Gaminis naudotis gali asmenys nuo Y m. 46) Gaminys turi būti sumontuotas ranka nepasiekiamu atstumu (vaikams: X1, suaugusiesiems: X2). 47) Gaminis sumontuoti reikia 2 asmenų. 48) Noredami išvengti korozijos, bent du kartus per metus nuvalykite armatūrą minkštu skudurėliu ir neutraliu plovikliu. (pakrančių ar pramonės zonos - keturis kartus per metus). 49) Gaminys nustatomas tik įrankiu montuojant. 50) Atsargiai. Elektros smūgio pavojus! Šiame šviestuve esantį švišes šaltinį gali pakeisti tik gamintojas, jo techninės priežiūros atstovas arba kitas tinkamas kvalifikacijos asmuo. 51) Galutinio naudotojo keičiamas švišes šaltinis (tik ŠVIŠESOS DIODU). 52) Galutinio naudotojo keičiamas švišes šaltinis. 53) Profesionalo keičiamas švišes šaltinis (tik švišes diodų). Švišes diodų švišes šaltinį, esantį šiame šviestuve, galis pakeisti tik gamintojas ar jo techninio aptarnavimo centro atstovas arba panašus kvalifikuotas asmuo. 54) Profesionalo keičiamas švišes šaltinis. Švišes šaltinį, esantį šiame šviestuve, gali pakeisti tik gamintojas ar jo techninio aptarnavimo centro atstovas arba panašus kvalifikuotas asmuo. 55) Nekeičiamas švišes šaltinis. Šiame šviestuve esantis švišes šaltinis yra nekeičiamas; pasibaigus švišes šaltinio eksploatavimo laikui, būtina pakeisti visą šviestuvą. 56) Galutinio naudotojo keičiamas valdymo pavarą. 57) Profesionalo keičiamas valdymo pavarą. 58) Nekeičiamas valdymo pavarą. 59) Kai rankos sudrėkė, valdymo įrenginio nenaudokite tose vietose, kuriose patiriamas tiesioginis sąlytis su vandeniu, arba lauke 60) Užrėgti / veikianči švišes šaltinį draudžiama

**Energijos ženkinimo reglamentas (ES) 2019 / 2015:** 6) šiame gaminyje yra švišes šaltinis, kurio energijos vartojimo efektyvumo klasė yra A. 62) šiame gaminyje yra švišes šaltinis, kurio energijos vartojimo efektyvumo klasė yra B. 63) šiame gaminyje yra švišes šaltinis, kurio energijos vartojimo efektyvumo klasė yra C. 64) šiame gaminyje yra švišes šaltinis, kurio energijos vartojimo efektyvumo klasė yra D. 65) šiame gaminyje yra švišes šaltinis, kurio energijos vartojimo efektyvumo klasė yra E. 66) šiame gaminyje yra švišes šaltinis, kurio energijos vartojimo efektyvumo klasė yra F. 67) šiame gaminyje yra švišes šaltinis, kurio energijos vartojimo efektyvumo klasė yra G. Šis gaminys yra specialiai suprojektuotas ir sukurtas naudoti tik patalpose normalioms sąlygoms ir įprastai eksploatuojant. Ant pakuočės nurodytas naudojimo laikas yra tik vidutinis (pagal standartų 170B50 ir IEC60969 normas) ir yra pagrįstas vidutiniškai 3 apšvietimo valandomis per dieną. Jei susidūrėte su bet kokiais sunkumais naudodami gaminį, rekomenduojame pirmiausia perskaityti naudotojo vadovą ir informaciją mūsų svetainėje. Atsižvelgiant į šias sąlygas ir nuostatas, mes, kaip gamintojas („Signify Netherlands B.V.“; International Business Reply Service I.B.R.S. / C.C.R.I. Numėro 10461 5600 BV Eindhoven, Nyderlandai), garantuojame, kad gaminys neturės medžiagų ir gamybos defektų dvejus (2) metus nuo pirkimo datos, nebent pakuočiame ar ant jos būtų nurodytas kitoks laikotarpis, kai gaminys naudojamas laikantis naudotojo vadove nurodytų priežiūros ir valymo instrukcijų. Jei antip nenumato taikomi teisės aktai, mūsų įsipareigojimai pagal garantiją yra riboti ir (mūsų pasirinkimu) apima arba gaminio remontą, arba gaminio su trūkumais pakeitimą kitu gaminiu, arba už gaminį su trūkumais sumokėtoms įsigijimo kainos atitinkama sumažinimą. Išmontavimo / montavimo ir (arba) įrengimo / įrengimo pašalinimo ir darbo sąnaudas į garantiją nėra įtrauktos, kaip ir sudužęs stiklas, baterijos ir keičiamos lemputės. Mūsų garantiniai įsipareigojimai nėra pritaikomi ar atnaujinami ilgesniam laikui nei pradinis garantinis laikotarpis. Mes turime teisę savo nuožūria gaminį su trūkumais, kuriame taikoma garantija, pakeisti gaminiu, kurio dizainas ir (arba) specifikacijos nežymiai skiriasi nuo pirminio gaminio, kurie neturi įtakos gaminio funkcionalumui. Siekiant pareišksti pagrįstą reikalavimą pagal šią garantiją, jums (ar mūsų atstovui) paprašius, privalote pateikti atitinkamą pirkimo kvitą ir gaminį su trūkumais analizei. Kiek pagal galiojančias įstatymus leidžiama, ši politika nustato visą mūsų, kaip gamintojo, atsakomybę, susijusią su trūkumais ar reikalavimų neatitinkančiais gaminiais. Mes neatsakome jums už kitus praradimus ar netiesioginius ar kitus nuostolius (įskaitant, bet neapsiribojant, duomenų praradimą ar pajamų praradimą), taip pat nekompensuome už nuolatinę gaminio priežiūrą, duomenų išsaugojimą ar atkūrimą. Ši savanoriškai suteikta gamintojo garantija neturi jokių įstatymuose įtvirtintoms jūsų teisėms pagal taikomą teisę. Jei norėsite savo gaminiai atlikti techninę priežiūrą kitoje valstybėje nei įsigijote gaminį, mes pasistengsime, kad jūsų gaminiai būtų atlikti techninė priežiūra pagal gaminio įsigijimo valstybėje galiojančias garantijos sąlygas.

## Montavimo veiksmi

Norėdami išsamios informacijos apie veiksmą žr. montavimo vadovą.

Paleiskite "WiZ" programėlę norėdami prijungti gaminį (žr. trumpąją instrukciją norėdami daugiau sužinoti apie "WiZ" programėlės naudojimą).

## Garantija

Garantijai taikomos griežtos naudojimo taisyklės, norėdami sužinoti daugiau informacijos apsilankykite mūsų svetainėje:

<https://www.wizconnected.com/en/consumer/support/>

## Belaidžio ryšio specifikacijos:

Belaidžio RD režimo dažnių juosta: 2400-2483,5 MHz

Didžiausia perduodamoji galia:

„Wi-Fi“: maks. 20 dBm

„Bluetooth“: maks. 10 dBm

Gaminių negalima naudoti su temdymo valdikliais, temdant taikyti WiZ programą.

Ilgumungo / išjungimo funkcija galima be „Wi-Fi“ ryšio.

„Signify“ pareiškia, kad radijo įrangos tipas „WiZ“ švieštuvai atitinka Direktyvos 2014/53/ES(RE)D) reikalavimus. Visą ES atitikties deklaracijos tekstą rasite svetainėje: [wizconnected.com](http://wizconnected.com)

„Wi-Fi“ ir „Wi-Fi CERTIFIED“ logotipas yra registruotieji „Wi-Fi Alliance“ prekės ženklai.

„Wi-Fi CERTIFIED“, „WPA2“, „WPA3“ yra „Wi-Fi Alliance“ prekės ženklai.

„Bluetooth“ žodis ir logotipai yra registruotieji prekės ženklai, priklausančios „Bluetooth SIG, INC“.

„Amazon“, „Alexa“ ir visi susiję logotipai yra „Amazon.com, Inc“ arba jos filialų prekės ženklai.

„Google“ yra „Google LLC“ prekės ženklas. „Siri“ yra „Apple Inc“ registruotasis prekės ženklas.

„Signify“ juos naudoja pagal licenciją.

Kiti prekės ženklai ir komerciniai pavadinimai priklauso jų atitinkamiems savininkams.

## ET - OHUTUSJUISEID

Tāme, et ostsite WiZi toote. Me hindame kõrgelt, et valisite WiZi kaubamärgi, ning loodame, et toote kasutamine pakub teile palju rõõmu. Käesolevas kasutusjuhendis B on koos ikoonidega ära toodud kõigi potentsiaalsete kohaldatavate parameetrite ja spetsifikatsioonide määratlused nii nagu need on sätestatud rahvusvahelistes normides ja ohutusnõuetes. Need kõik ei pruugi aga teie püstetud toote puhul kohaldatavad olla. Kasutusjuhendis A on ära toodud ikoonid, mis kehtivad konkreetselt käesoleva toote puhul. Tootja soovib kasutada valgesteid õigesti! Seetõttu järgige alati neid juhiseid, et tagada valgesti õige ja ohutu paigaldamine ning töötamine, ja hoidke need edaspidiseks ülevaatamiseks alles. Pidage kindlasti enne paigaldamist nõu spetsialistiga, et valida toote turvaliseks kinnitamiseks õige kinnitus. Võtke arvesse nii toote kaalu kui ka materjali, millest on valmistatud pind, kuhu toote kinnitatakse. Kahtluse korral pidage nõu kvalifitseeritud või litsentseeritud elektrikuga või pöörduge toote müüja poole. Hoolduse selle eest, et toote paigaldataks alati asjakohaste eeskirjade kohaselt. Teatud eeskirjades on ette nähtud, et elektriseadmed tohib paigaldada üksnes litsentseeritud elektrik (nt. osa P Ühendkuningriigi puhul, AS/NZS3000 IN Austraalia/ÜUS-Meremaa puhul). Enne toote paigaldamist, hoidamist või parandamist lülitage toide alati välja. Jälgige juhtumeid õiget värvi enne paigaldust: sinine (N), pruun või must (L) ja turvalisusklass I korral kollane/roheline (maandus). Paigaldage seinavalgusti lastele kättesaamatult. Kui toode on paigaldatud metallpinnale, siis peab pind olema kokkupuutes maandusjuhtmega või potentsiaalühlustusjuhiga. Kinnitage juhtmeühenduse kruvid alati korralikult, eriti madalpinge (12V) ühenduste puhul (juhul kui neid kasutate). Aeg-ajalt tuleks juhtmeühenduse kruvisid kindlasti kontrollida ja üle keerata. Hoidke pakkematerjali laste käeulatuses väljas. (nt kilekotid, ...) Hooldage sisevalgusteid kuiva tolmulapi või -harjaga, ärge kasutage abrasiivseid vahendeid või lahusteid. Vältige vedelikke elektrilistest osadest. Vahetage läbipaistev kaks kohe uuega, kui see on pragnunenud või katkine, ning kasutage üksnes tootja heakskiidetud osi. Soovitat on kasutada üksnes WiZi lampe.

☞ Vige ennast kurssi kohalike elektriki- ja elektroonikaotodete ning pakendite kasutusest kõrvaldamise, sorteerimise ja kogumise süsteemiga. Järgige kohalike eeskirju järgi ning ärge visake vana toodet ega pakendit olmejäätmete hulka. Pakendi ja vana toote ja/või akude nõuetekohane kasutusest kõrvaldamine aitab vältida võimaliku negatiivset mõju keskkonnale ja inimeste tervisele. Akud tuleb kasutusest kõrvaldada olmejäätmetest eraldi ning välja selleks ette nähtud kogumiskohta. Kui kõrvaldate kasutusest toote, mis sisaldab akusid, mida kasutaja ei saa vahetada, peab need akud tootest eemaldama kvalifitseeritud spetsialist.

**TÄHELEPANU!** Allpool leiate kõigi eeltoodud ikoonide seletused numbrilises järjestuses nii nagu need on ohutusjuhiste ees:

- 01) Toodet tohib paigaldada ainult siseruumidesse.
- 02) Toode ei ole sobilik paigaldamiseks vannitubadesse, vähemalt mitte näidatud tsoonis.
- 03) Toodet ei või kinnitada vahetult tavallise süttimistundlikkusega pindadele.
- 04) Toodet ei või katta soojusisolatsioonimaterjaliga.
- 05) Toode on mõeldud kinnitamiseks üksnes lakke.
- 06) Toode on mõeldud kinnitamiseks üksnes seinale.
- 07) Toode on mõeldud kinnitamiseks nii lakke kui seinale.
- 08) Võtke alati arvesse ikoonil näidatud vähimat kaugust valgusti ja valgustatava objekti vahel.
- 09) IPX: Toode on kaitsitud tilkuva vee vastu. IPX3: Toode kannatab vihma (pliskade maksimaalne langemisnurk vertikaaltele suhtes 60°).
- IPX4: Toode on pritsmekindel: vesi võib pritsida kõigist suundadest (360°).
- IPX5: Toode on kaitsitud survevee vastu.
- IPX7: Toote võib paigaldada maapinnale.
- IPX8: Toode on kaitsitud vee sissevalgumise eest kuni märgitud sügavuseni. - IPX5: Toode on kaitsitud tolm eest.
- IPX6: Toode on tolmukindel.
- 10) Vahetage koheselt mõranenud või katkine turvaklaas ning kasutage üksnes samade mõõtmetega boorisilikaatklaasi, mille miinimumpaksus on 3 mm.
- 11) Kaitseklass I: toode või komponent on maandatud. Maandusjuhe (kollane/roheline) peab olema ühendatud tärmiga tähistatud klemmiga.
- 12) Kaitseklass II: tootel või komponendil on topeltisolatsioon või tugevdatud isolatsioon.
- 13) Kaitseklass III: toode või komponent on ohutuse huvides sobilik kasutamiseks üksnes eriti madala voolutugevusega vooluringis (<50V AC, <120V DC).
- 14) Koorige juhe nii nagu joonisel näidatud.
- 15) Maandusjuht peab olema pikem kui pruun tõi juht (L) ja sinine neutraaljuht (N).
- 16) Koorimata juhtme ümber tuleb panna komplekti kuuluv kuumakindel ümbris.
- 17) Toote võib ühendada üksnes otsse elektrivõrku.
- 18) - X-ühendus: Juhtme vigastuse korral tuleb see asendada sama tüüpi juhtmega.
- Y-ühendus: Juhtme

vägistusel korral peab selle võimalike riskide vältimiseks asendama tootja, türistajata või asjatundja. 7-Ühendus: Selle valgusti välist esatset ei kaalibi või juhul ei saa välja vahetada. Kui juhe on vigastatud, kuulub valgusti hävitamisele. 19) MAX. ...W: kasutage ainult tootele sobilikke lambipirne ja järgige maksimaalse võimsuse esitatud piirangut. 20) Tootesse sobivad üksnes reflektorlambid. 21) Tootes saab kasutada üksnes CFL-i või LED-lampe (nt E14, E27, Gu10, GX53, ...) 22) Tootes ei saa kasutada CFL-i - või LED-lampe (nt E14, E27, Gu10, GX53, ...) 23) Kasutada võib üksnes 60 mm läbimõõduga lampi. 45 mm läbimõõduga lampe ei tohi selles tootes kasutada. 24) Kasutada võib üksnes lümmargust lampi, mis on ettenähtud läbimõõduga. Ärge kunagi kasutage standardsuuruses hõõglampi. 25) Selles tootes sobib kasutada üksnes künnlakujulisi pirne. 26) Tootes tohib kasutada üksnes lampi, millel on sisseehitatud ohutuskaitse, või madalrõhulampi. Täiendavat turvakaasi ei ole vaja. 27) Kapselampide ja halogeen-linearlampide ei või paljaste kättega katsuda. 28) See toode on varustatud kaitsmeka. Kui toode ei hakka pärast pirni vahetamist tööle, tuleb kaitses välja vahetada. Kui selle tegevuse käigus tuleb kokku puutuda sisemise juhtmestikuga, peab kaitsme vahetama kvalifitseeritud elektrik. 29) Toode on hämardatud komplekti kuuluvale hämarajale või komplekti mittekuuluvale hämarajale, mis on ühendatud kodusesse elektrijuhtmestikku. Teabe saamiseks tutvuge veebilehela "WiZConnected.com". Sobivat liiki hämaradi valimiseks pidage nõu kvalifitseeritud elektrikuga. 30) Toode ei ole hämardatav. 31) Toode on hämardatav ÜKSNEKS komplekti kuuluvale hämarajale. Ärge ühendage selle külge täiendavat hämarditi. 32) Hämardamisvõimalused onolevad valitud lambist. Hämardamisvõimaluse funktsiooni kohta leiate lisateavet lambiga kaasas olevast teabepeakist. 33) Toode töötab turvamuundajaga. Asendage purunenud muundaja ainult samade tehniliste näitajatega muundajaga. Konsulteerige kvalifitseeritud elektrikuga või võtke ühendust toote müüjaga. 34) Toode rasketes tingimustes kasutamiseks. 35) Toode on varustatud ajasti ja valgus-sensoriga. Miinimum ja maksimum on näidatud ikoonil. 36) Toote võib paigaldada kuni 6 meetri kõrgusele. 37) Uudisalaüksuse kasutamise tagamiseks tuleb toode paigaldada ikoonil ettenähtud kõrgusele. Anduri maksimaalne ja minimaalne töökaugus on samuti ikoonil näidatud. 38) Anduri aktiivne nähtavuspiirkond jääb ikoonil näidatud piiridesse.

39) See toode tuleb paigaldada horisontaalselt. Pikema kasutusea tagamiseks ei tohiks lambi nurk olla suurem kui 4 kraadi. 40) See toode tuleb paigaldada horisontaalselt. Pikema kasutusea tagamiseks ei tohiks lambi nurk olla suurem kui 4 kraadi. 41) Kui toode paigaldatakse harukarbi peale seinas või laes, tuleb karp kaitsa kaanega (nt on see nõutud Madalmaades). 42) Elektrijuhtmeid ei tohi kunagi toote ja paigalduspinnaga vahel klammerdada või väanata. 43) Tootes on osi, mis võivad kuumeneda. 44) See toode ei sobi kasutamiseks alla 17-aastaste lastele. 45) Toode sobib kasutamiseks üksnes isikutele, kes on vanemad kui Y aastast. 46) Paigaldage toode (X1 laste, X2: täiskasvanute) käealustesse välja. 47) Toote paigaldamiseks on vaja 2 inimest. 48) Korrosiooni vältimiseks puhastage liitmikke pehme lapiga ja neutraalse puhastusvahendiga vähemalt kaks korda aastas. (ranniku- või tööstuspiirkondades - neli korda aastas). 49) Toode saab seadistada spetsiaalselt vahendiga üksnes paigaldamise ajal. 50) Ettevaatus! Elektrilöögi oht! Käesolevas valgustus oleval valgusallika võib välja vahetada üksnes tootja või tema hooldusendaaja või samaväärse kvalifikatsiooniga isik. 51) Valgusallika (ainult LED) võib asendada lõppkasutaja. 52) Valgusallika võib asendada lõppkasutaja. 53) Valgusallika (ainult LED) võib asendada professionaal: Selle valgusti LED-valgusallika tohib asendada ainult tootja või tema hooldustehnik või sarnase kvalifikatsiooniga isik. 54) Valgusallika võib asendada professionaal: Selle valgusti valgusallika tohib asendada ainult tootja või tema hooldustehnik või sarnase kvalifikatsiooniga isik. 55) Valgusallikat ei saa asendada: Käesolevas valgustus oleval valgusallikat ei saa välja vahetada; kui valgusallika kasutusiga saab läbi, tuleb terve valgusti välja vahetada. 56) Juhtimiseseadmistiku saab asendada lõppkasutaja. 57) Juhtimiseseadmistiku saab asendada professionaal. 58) Juhtimiseseadmistiku ei saa asendada 59) Ärge kasutage kontrollseadet märgade kättega, alus, kus toode võib otse tegeva kokku puutuda, ega väljas. 60) Ärge vaadake töötavasse valgusallikasse

**Energiaarvustuse määrus (EL) 2019/2015:** 61) see toode sisaldab valgusallikat, mille energiatõhususe klass on A. 62) see toode sisaldab valgusallikat, mille energiatõhususe klass on B. 63) see toode sisaldab valgusallikat, mille energiatõhususe klass on C. 64) see toode sisaldab valgusallikat, mille energiatõhususe klass on D. 65) see toode sisaldab valgusallikat, mille energiatõhususe klass on E. 66) see toode sisaldab valgusallikat, mille energiatõhususe klass on F. 67) see toode sisaldab valgusallikat, mille energiatõhususe klass on G. See toode on spetsiaalselt disainitud ja välja töötatud kodusesse kasutamiseks tavapärase viisil ning tavatingimustes. Pakendil on märgitud toote keskmise eluiga (standardite LD70B50 ja IEC60969 järgi), mis põhineb ühe päeva kohta keskmiselt kolme tunni pikusel põlemisel. Kui teile tekib toote kasutamisel mis tahes probleeme, soovitate teil esmalt lugeda kasutusjuhendit ja meie veebilehel olevat teavet.

Käesolevate tingimuste alusel tagame meie kui tootja (Signify Netherlands B.V., International Business Reply Service I.B.R.S. / C.C.R.I. Numéro 104615600 VB Eindhoven, Holland), et toote materjalist ja valmistamisprotsessist ei ilmneks puudusi kahe (2) aasta jooksul alates ostu sooritamise kuupäevast, välja arvatud juhul, kui toote pakendil või selle sees on märgitud teisiti ja toode hooldatakse kasutusjuhendite sissalduvatele hooldus- ja puhastusjuhenditele vastavalt. Välja arvatud juhul, kui kohaldatava õiguse imperatiivsed sätted reguleerivad teisiti, on meie garantikohustused piiratud meie valikul kas vigaste toote parandamine, vigasele tootele asendustööde pakkimise või vigaste toote ostmusumale vastava krediidil pakkimise. Toode lahtivõtmise ning kokkupanemine ja/või eemaldamine ning paigaldamine ja tööjõukulud ei ole garantii hõlmatud, samuti ei ole hõlmatud purunenud klaas, patareid ja asendatavad elektripiirid. Meie parandusmeetmed, mis võetakse garantii alusel kasutusele, ei pikenda ega uuenda algselt kohaldatavat garantiiperioodi. Meil on omal valikul õigus asendada garantii alla kuuluv vigane toode teise tootega, mille disainis ja/või spetsifikatsioonid on väikseid kõrvalekaldeid, mis ei mõjuta toote kasutusfunktsioone. Selleks, et saaksite garantii alusel esitada põhjendatud nõude, peate esitada meie (või meie esindajale) meie või esindaja nõudmisel toote ostukvitantsi ja vigase toote, et saaksime seda uurida. Ulatuses, milles kohaldatav õigus seda lubab, sätestavad need tingimused kogu meie tootjavastutuse seoses vigaste või mittevastavate toodetega. Me ei vastuta teile tekkinud muu kahju ning kaude või sellest tulenevalt tekkinud kahju eest (sealhulgas, kuid mitte ainult, andmete kaotusest või sissetuleku kaotusest tekkinud kahju eest) ega hüvita teile regulaarset hooldust, andmete salvestamist või taastamist. Teille kohaldatavast õigusest tulenevad õigused see vabatahtlikult pakutav tootjagarantii ei mõjuta. Kui pakute oma toodet teenuse osutamiseks riigis, mis erineb toote ostmise riigist, teeme enda poolt võimaliku, et käsitleda teie toodet selle riigi garantiitingimuste alusel, kust toote otsite.

## Paigaldamise etapid

Paigaldusjuhiseid vaadake paigaldusjuhendist.

Käivitage tootega ühenduse loomiseks rakendus (lisateabe saamiseks rakenduse WiZ kasutamise kohta lugege kiirjuhendit).

## Garantii

Garantii kehtib rangete kasutustingimuste järgimisel, lisateabe saamiseks külastage meie veebisaiti:

## Juhtmevaba tehnoloogia näitajad

Juhtmevaba raadiosagedusrežiimi sagedusala: 2400 – 2483,5 MHz

Maksimaalne edastatud võimsus

Wi-Fi: max 20 dBm

Bluetooth: max 10 dBm

Tooteid ei tohi hämmarditega kasutada, Hämmardamiseks kasutage WIZ-rakendust.

Sisse ja välja lülitamine on saadaval ilma Wi-Fi-ühendusega.

Signify kinnitab käesolevaga, et raadiosidetüüpi WIZ valgustid on vastavuses direktiiviga 2014/53/EL (RED). EL-i vastavusdeklaratsioon

oni täistekst on saadaval järgmisel Interneti-aadressil: [wizconnected.com](http://wizconnected.com)

Wi-Fi® ja Wi-Fi CERTIFIED logo on Wi-Fi Alliance'i registreeritud kaubamärgid.

Wi-Fi CERTIFIED™ ja WPA2™, WPA3™ on Wi-Fi Alliance'i kaubamärgid.

Bluetooth® sõna ja logod on Bluetooth SIG, INC registreeritud kaubamärgid.

Amazon, Alexa ja kõik nendega seotud logod on Amazon.com, Inc või selle tütarettevõtete kaubamärgid.

Google on Google LLC kaubamärk. Siri on Apple Inc registreeritud kaubamärk.

Signify kasutab nimetatud märke litsentsi alusel.

Muud kaubamärgid ja kaubanimed kuuluvad nende vastavatele omanikele.

## AU/NZ - WARRANTY

Thank you for purchasing this WIZ product, we highly appreciate your choice for the WIZ brand and wish you lots of pleasure using your product. This manual B contains definitions of all potentially applicable parameters & specifications with icons, as per International norms and safety standards. However not all of them may be applicable for the product you purchased - please refer to the icons in the Manual A, for the ones which are particularly applicable for this product.

**WARNINGS AND CAUTIONS FOR PRODUCTS USING BATTERIES:** Risk of explosion if the battery is replaced by an incorrect replacement. Batteries should be installed by an adult. Different types of batteries and new and used batteries must not be mixed. Batteries are to be inserted with the correct polarity. The supply terminals must not be short-circuited. Exhausted batteries are to be removed. Do not use rechargeable batteries. Non-rechargeable batteries must not be charged.

### EXTRA WARNINGS AND CAUTIONS FOR PRODUCTS USING COIN/BUTTON BATTERIES:

**CAUTION:** Do not ingest battery – Chemical burn hazard. Keep new and used batteries away from children. If the coin/button cell battery is swallowed, it can cause severe internal burns in just two hours and can lead to death. If you think that batteries might have been swallowed or placed inside any part of the body, seek immediate medical attention. If the battery compartment does not close securely, stop using the product and keep it away from children.

This product is specifically designed and developed for domestic use in normal conditions and operation only. The lifetime mentioned on the packaging is an average only (in accordance with standards L70B50 and IEC60969 norms) and is based on an average of 3 burning hours per day. If you encounter any difficulties with the use of the product, we recommend that you first consult the user manual and the information on our website. Subject to the terms and conditions hereof, Signify as the manufacturer, warrant that the product is free from defects in materials and workmanship for a period of one (1) year after the date of purchase, unless a different period is stated in or on the packaging of the product and subject to maintenance of the product in accordance with the care and cleaning instructions laid down in the user manual. Unless statutory provisions of applicable law provide otherwise, our obligations under warranty will be limited, at our option, to either repair, provide a replacement product for the defective product or to offer an appropriate refund for the purchase price for the defective product. (De)mounting and/or (de)installation, and labor costs are excluded from warranty, as well as broken materials, batteries and replaceable bulbs. Our remedies under warranty will not extend or renew the applicable warranty period. We are entitled, at our option, to replace the defect product covered by warranty with a product that has minor deviations in design and/or specifications which do not affect the functionality of the product in the event that a same product is unavailable. In order to be entitled to make a valid claim under warranty, you must present to us (or our representative) on request an adequate receipt of your purchase and the defect product for analysis. To the maximum extent permitted by applicable law, this policy states the entire liability of us in connection with defective or non-conforming products. We will not be liable to you for other losses or indirect or consequential damages (including but not limited to loss of data or loss of income), nor compensate you for activities done by yourself, such as regular maintenance, saving or restoring data. Your statutory rights arising from applicable law are not affected by this voluntarily provided manufacturer's warranty. If you purchased this Philips product within Australia, please note that our products come with guarantees that cannot be excluded under the Australian Consumer Law. You are entitled to a replacement or refund for a major failure and compensation for any other reasonably foreseeable loss or damage. You are also entitled to have the goods repaired or replaced if the goods fail to be of acceptable quality and the failure does not amount to a major failure.

## RU— ИНСТРУКЦИИ ТЕХНИКИ БЕЗОПАСНОСТИ

Благодарим вас за покупку этого изделия WIZ. Мы высоко ценим ваш выбор бренда WIZ и желаем приятной эксплуатации вашего изделия. Это руководство В содержит определения всех потенциально применимых параметров и характеристики с обозначениями в соответствии с международными нормами и стандартами безопасности. Однако не все их них могут быть применимы к приобретенному вами прибору. Параметры и характеристики, применимые к этому продукту, см. в руководстве

Д. Производитель рекомендует правильно использовать крепления для световых решений! Прозвоньте всегда следуйте настоящим инструкциям, чтобы обеспечить правильную и безопасную установку и работу крепления. Сохраните инструкции для последующего использования. Чтобы выбрать правильное крепление для надежного монтажа продукта, заранее проконсультируйтесь со специалистом. Учитывайте вес продукта и материал поверхности крепления. При возникновении сомнений проконсультируйтесь с квалифицированным или лицензированным электриком либо обратитесь в розничный магазин. Необходимо обеспечить, чтобы установка продукта всегда производилась в соответствии с действующими нормативами. Согласно определенным нормативам, электрические приборы должен устанавливать только лицензированный электрик (например, часть Р строительных норм Великобритании, AS/NZS3000 IN для АВСТРАЛИИ/НОВОЙ ЗЕЛАНДИИ). Перед проведением операций по установке, техническому обслуживанию и ремонту всегда отключайте питание. Соблюдайте правильный цвет проводки перед установкой: синий (N), коричневый (L), и если классом защиты является I — желтый/зеленый (земля). Устанавливайте настенное освещение на недоступной для детей высоте. Если прибор установлен на металлической поверхности, эта поверхность должна быть соединена с защитным заземляющим проводником или проводником выравнивания потенциала для этой установки. Всегда крепко затягивайте контактные винты, особенно крепления низковольтной проводки (12В). (Если применимо). Настоятельно рекомендуется регулярно проверять и повторно затягивать контактные винты. Храните упаковочный материал в недоступном для детей месте. (например, пластиковые пакеты и т. д.). Протирайте лампы в помещениях сухой тряпкой, не используйте абразивные материалы и растворители. Не допускайте попадания жидкости на электрические детали. Незамедлительно замените треснувший или сломанный полупрозрачный плафон и используйте только одобренные производителем детали. Рекомендуется использовать только лампы WIZ.

Ж с информацией о местных системах раздельного сбора и утилизации таких отходов, как электрическое и электронное оборудование, а также упаковка, рекомендуется ознакомиться самостоятельно. Соблюдайте региональные нормативные требования и не выбрасывайте отслужившее изделие вместе с обычным бытовым мусором. Правильная утилизация отслужившего изделия и/или батарей поможет уменьшить негативные последствия для окружающей среды и здоровья людей. Батареи следует утилизировать отдельно от бытовых отходов через специальные пункты сбора. Если изделие оснащено батареями, не предназначенными для самостоятельной замены, их должен извлекать специалист.

**ВНИМАНИЕ!**Ниже приведены пояснения и числовые указатели на соответствующие значки перед этими инструкциями по технике безопасности: 1. Это изделие предназначено для установки только в помещениях. 2. Изделие не предназначено для установки в ванных комнатах или, по крайней мере, в указанной зоне. 3. Изделие не предназначено для установки непосредственно на средневольтосламеняющихся поверхностях. 4. Изделие нельзя накрывать теплоизоляционным материалом. 05. Изделие предназначено только для установки на потолке. 06. Изделие предназначено только для установки на стене. 07. Изделие предназначено только для установки на стене или потолке. 8. Всегда учитывайте минимальное расстояние, как показано на знаке, между лампой и освещаемым объектом. 9. IPX1: изделие защищено от брызг; IPX3: изделие можно подвергать воздействию дождя (падающих капель под максимальным углом 60° относительно вертикальной оси); IPX4: изделие защищено от брызг со всех сторон (360°); IPX5: изделие защищено от водяных потоков; IPX7: изделие можно устанавливать в землю; IPX8: изделие можно погружать в воду до указанной глубины; IPX5: изделие защищено от пыли; IP6X: изделие является пыленепроницаемым. 10) Незамедлительно замените треснувшее или сломанное защитное стекло и используйте только детали из боросиликата аналогичного размера с минимальной толщиной 3 мм. 11) Класс защиты I: изделие или компонент оснащены заземляющим проводом. Заземляющий провод (желтый/зеленый) необходимо соединить с клеммой, отмеченной логотипом класса I. 12. Класс защиты II: изделие или компонент поставляется с двойной или усиленной изоляцией. 13. Класс защиты III: на изделие или компонент следует подавать исключительно безопасное сверхнизкое напряжение (<50 В пер. тока; <120 В пост. тока). 14. Вачайщите изоляцию, как показано на знаке. 15. Заземляющий провод всегда должен быть длиннее коричневого провода под (L) напряжением и синего нейтрального провода (N). 16. Для незащищенных проводов следует обязательно использовать поставляемому в комплекте термостойкую трубку. 17. Изделие предназначено только для подключения непосредственно к электросети. 18) В случае повреждения проводки, X-соединения, замените его проводом такого же типа. Y-соединение должен заменять только производитель, дистрибутор или квалифицированный специалист. Z-соединение — шнур нельзя заменять, так как светлый или не будет работать. 19. МАКС. мощность в ваттах: используйте только лампы, которые подходят для этого изделия, и не превышайте указанную максимальную мощность в ваттах. 20. Изделие предназначено только для использования с лампами-отражателями. 21. Изделие подходит только для использования с лампами CFL-I или светодиодными лампами (например, E14, E27, Gu10, GX53 и т. д.) 22. Изделие не предназначено для использования с лампами CFL-I или светодиодными лампами (например, E14, E27, Gu10, GX53 и т. д.). 23. Можно использовать только лампы диаметром 60 мм. Это изделие нельзя использовать с лампами диаметром 45 мм. 24. Используйте только лампы в форме шара указанного диаметра. Никогда не используйте обычные лампы накаливания. 25. Данное изделие предназначено только для использования с лампами в форме свечи. 26. Изделие предназначено только для использования с лампами со встроенной защитой или лампами низкого давления. Дополнительное защитное стекло не требуется. 27. Капсульные и линейные галогенные ламп нельзя касаться голыми руками. 28. Изделие оснащено предохранителем. Если изделие вышло из строя после замены лампы, необходимо заменить внутренний предохранитель. Это должен делать квалифицированный электрик, если возможно получить доступ к внутренней проводке. 29. Яркость света изделия можно регулировать с помощью светорегулятора, который входит в комплект поставки, или светорегулятора (не входит в комплект поставки), подключаемого к домашней электрической сети. Дополнительную информацию см. на веб-сайте [WizConnected.com](http://WizConnected.com). Для выбора подходящего типа светорегулятора проконсультируйтесь с квалифицированным электриком. 30. В изделии отсутствует возможность изменения светового потока. 31. Изделие поддерживает возможность изменения светового потока ТОЛЬКО с помощью светорегулятора, входящего в комплект. Не подключайте изделие к дополнительному светорегулятору. 32. Функции регулировки яркости зависят от выбранной лампы. Дополнительную информацию о функциях регулировки яркости см. в информационной листовке, поставляемой в комплекте с лампой. 33. Изделие работает с защитным трансформатором. Замените поврежденный трансформатор только трансформатором с идентичными техническими характеристиками. Обратитесь к квалифицированному специалисту или в розничный магазин. 34. Изделие является ударопрочным. 35. Изделие поддерживает параметры настройки времени и освещения. Минимальное и

максимальное значение указано на значке. 36. Изделие можно устанавливать на максимальной высоте в 6 м. 37. Для обеспечения надежной работы изделие необходимо устанавливать на высоте, указанной на значке. Также на значке указана минимальная и максимальный радиус действия датчика движения. 38. Стандартный активный диапазон действия датчика указан на значке в градусах. 39. Изделие следует устанавливать в горизонтальном положении. Для продления срока эксплуатации лампа не должна находиться под углом более 4 градусов. 40. Во время установки следите за тем, чтобы не просверлить электропроводку или другие препятствия в стенах или потолке! 41. Если изделие устанавливается в потолочный или настенный монтажный короб, необходимо сначала закрыть короб крышкой. (например, в Нидерландах) 42. Электрическую проводку никогда нельзя пережимать или переплетать между изделием и монтажной поверхностью! 43. Определенные детали изделия могут нагреваться. 44. Этот продукт не подходит для использования детьми младше 7 лет. 45. Изделие предназначено только для использования лицами, достигшими возраста 7 лет. 46. Изделие следует устанавливать в недоступном для рук месте (X1: для детей; X2: для взрослых). 47. Изделие должно устанавливаться два человека. 48. Чтобы избежать коррозии, очищайте светильник минимум 2 раза в год мягкой тканью и нейтральным моющим средством (4 раза в прибрежных или промышленных зонах). 49. При установке изделие можно настраивать только с помощью специального инструмента. 50. Осторожно: риск поражения током! Источник света в этом светильнике может быть заменен только производителем, обслуживающим специалистом производителя или лицом, аналогичной квалификации. 51. Источник света (только светодиод), заменяемый конечным пользователем. 52. Источник света, заменяемый конечным пользователем. 53. Источник света (только светодиод), заменяемый профессионалом: светодиодный источник света, содержащийся в этом светильнике, может быть заменен только производителем, его представителем по техническому обслуживанию или обладающим аналогичной квалификацией лицом. 54. Источник света, заменяемый профессионалом: источник света, содержащийся в этом светильнике, может быть заменен только производителем, его представителем по техническому обслуживанию или обладающим аналогичной квалификацией лицом. 55. Не заменяемый источник света: источник света в этом светильнике не подлежит замене; по окончании срока службы источника света необходимо заменить весь светильник. 56. Управляющий ПРА, заменяемый конечным пользователем. 57. Управляющий ПРА, заменяемый профессионалом. 58. Не заменяемый управляющий ПРА. 59. Не используйте устройство управления влажными руками, в условиях, при которых возможно прямое попадание воды, или на улице. 60. Не смотрите на работающий источник света. Нормативы по энергетической маркировке (ЕС)2019/2015. 61. Данное изделие содержит источник света класса энергоэффективности А. 62. Данное изделие содержит источник света класса энергоэффективности В. 63. Данное изделие содержит источник света класса энергоэффективности С. 64. Данное изделие содержит источник света класса энергоэффективности D. 65. Данное изделие содержит источник света класса энергоэффективности E. 66. Данное изделие содержит источник света класса энергоэффективности F. 67. Данное изделие содержит источник света класса энергоэффективности G.

Данное изделие спроектировано и разработано только для домашнего использования в нормальных условиях и режимах эксплуатации. Указанный на упаковке срок службы является лишь средним значением (согласно нормам стандартов L70850 и IES6096) с учетом работы прибора в среднем до 3 часов в день. Если у вас возникнут трудности с использованием этого изделия, рекомендуем сначала воспользоваться руководством пользователя и информацией на нашем сайте. Согласно приведенным в этом документе условиям и положениям производителя (Signify Netherlands B.V., International Business Reply Service I.B.R.S. / CCR1, Numéro 10461 5600 VB Eindhoven, Нидерланды) гарантирует, что изделие не будет содержать дефектов материала и изготовления на период двух (2) лет с даты его приобретения, если иное не указано на или в упаковке, и подлежит обслуживанию в соответствии с инструкциями по очистке и уходу, приведенным в руководстве, если иное не предусмотрено применимыми нормами законодательства. Наши обязательства по гарантии будут ограничены по нашему усмотрению в случае предоставления услуг по ремонту, замене изделия с дефектами или предоставления соответствующей скидки на изделие с дефектами. Гарантия не распространяется на расходы на монтаж (демонтаж) и (или) установку (демонтаж), а также на стоимость работ, разбитое стекло, батареи и сменные лампы. Предлагаемые нами средства правовой защиты в рамках гарантии не продолжают и не возобновляют исходный применимый гарантийный период. Мы имеем право, по своему усмотрению, заменить дефектное изделие, защищенное гарантией, изделием, которое имеет небольшие отклонения в дизайне и (или) характеристиках, не влияющие на функциональность изделия. Также иметь право на подачу действительной гарантийной претензии по этой гарантии, вы должны предоставить нам (или нашему представителю) запрос, соответствующую квитанцию о покупке и дефектное изделие для анализа. В максимальной степени, разрешенной применимым законом, настоящая политика определяет нашу полную ответственность как производителя в связи с дефектными или не соответствующими характеристикам изделиями. Мы не будем нести ответственность перед вами за какие-либо будущие убытки, прямые, косвенные или случайные (включая помимо прочего, потерю данных или потерю дохода), а также не будем компенсировать вам расходы на такие мероприятия, как регулярное обслуживание, сохранение или восстановление данных. Эта добровольно предоставленная гарантия производителя не влияет на ваши законные права, возникающие из применимого закона. Если вы передаете изделие в сервисный центр в стране, в которой вы не приобрели его, мы попробуем предоставить соответствующие услуги по ремонту согласно условиям гарантии страны, где вы приобрели изделие.

#### Этапы установки

Пожалуйста, обратитесь к руководству по установке для получения подробной информации.

Валупстите приложение WIZ, чтобы подключить устройство (см. Руководство по быстрому запуску для получения более подробной информации о работе приложения WIZ).

#### Гарантия

Гарантия только при старом состоянии условий эксплуатации. Для дополнительной информации, посетите наш веб-сайт: <https://www.wizconnected.com/en/consumer/support/>

#### Характеристики беспроводного подключения:

Полоса частот, используемая для беспроводного подключения: 2400–2483,5 МГц

Максимальная мощность:



Wi-Fi: максимум 20 дБм  
Bluetooth: максимум 10 дБм

Продукти не призначені для використання з диммерами. Для регулювання яркості світла використовуйте додаток WIZ.

Функція ввімкнення/вимкнення також доступна без підключення до Wi-Fi.

Настоящим Сигніфай заявляє, що тип радіооборудованого світельника WIZ відповідає Директиві 2014/53 / ЄС. Повний текст декларації відповідності ЄС доступний по наступному адресу в Інтернеті: [wizconnected.com](http://wizconnected.com)

Wi-Fi®, логотип Wi-Fi, логотип Wi-Fi CERTIFIED® являються зареєстрованими торговельними знаками Wi-Fi Alliance.

Wi-Fi CERTIFIED™ і WPA2™, WPA3™ являються зареєстрованими торговельними знаками Wi-Fi Alliance.

Словесний знак і логотипи Bluetooth® являються зареєстрованими торговельними знаками, належними Bluetooth SIG, Inc.

Amazon, Alexa і всі пов'язані логотипи являються торговельними знаками Amazon.com, Inc. і/або аффілійованих компаній.

Google, Google Play і логотип Google Play являються торговельними знаками Google LLC.

Логотип Apple і Siri являються зареєстрованими торговельними знаками Apple Inc.

Любиме використання таких знаків компанії Signify здійснюється по ліцензії.

Прочіє торговельні знаки і торговельні названня являються власністю відповідних власників.

## UA – ІНСТРУКЦІЯ З ТЕХНІКИ БЕЗПЕК

Дякуємо за придбання цього виробу WIZ. Ми дуже цінуємо ваш вибір бренду WIZ і бажано приємної експлуатації виробу. Цей посібник містить визначення всіх потенційних застосованих параметрів і специфікацій із значеннями згідно з міжнародними нормами та стандартами безпеки. Однак не всі з них можна застосувати до придбаного вами виробу. Параметри та специфікації, застосовані до цього продукту, можна знайти в посібнику А. Виробник рекомендує використовувати світильники виключно належним чином! Тому завжди виконуйте ці інструкції, щоб забезпечити правильний і безпечний монтаж та роботу світильника. Зберігайте інструкції для подальшого використання. Щоб вибрати надійне кріплення для безпечного монтажу виробу, заздалегідь проконсультуйтеся зі спеціалістом. Візьміть до уваги вагу виробу та матеріал поверхні кріплення. Якщо у вас виникли сумніви, проконсультуйтеся з кваліфікованим або ліцензованим електриком чи зверніться в роздрібний магазин. Переконайтеся, що монтаж здійснюється згідно з відповідними нормативами. Певні нормативи можуть відрізнятися, щоб монтаж електричних виробів здійснювався лише кваліфікованими електриками (частина Р будівельних норм Великої Британії, AS/NZS3000 IN для АВСТРАЛІЇ/НОВОЇ ЗЕЛАНДІЇ). Завжди вимикайте живлення перед монтажем, обслуговуванням або ремонтом. Перевірте відповідність кольору проводу перед монтажем: синій (N), коричневий (L) і, якщо клас захисту I, жовто-зелений (земля). Установлюйте настінне освітлення на недоступній для дітей висоті. Якщо світильник установлено на металевій поверхні, її має бути з'єднано із провідником захисного заземлення або провідником вирівнювання потенціалу для цього встановлення. Завжди міцно затягуйте затискні гвинти, особливо в приладді для низьковольтних проводів (I2 V) (якщо застосовно). Наполегливо рекомендуємо регулярно перевіряти та повторно затягувати затискні гвинти. Зберігайте пакування в недоступному для дітей місці (наприклад, пластикові пакети тощо). Очищуйте внутрішні світильники сухою ганчіркою, не використовуйте розчинники та абразивні матеріали. Не допускайте попадання рідини на електричні деталі. Негайно замінюйте тріснутий або зламаний прозорий плафон і використовуйте лише схвалені виробником деталі. Радимо застосовувати лише лампи бренду WIZ.

Рекомендуємо самостійно ознайомитися з інформацією про місцеві системи сортування і утилізації відходів електричного та електронного обладнання і їхнього пакування. Дійте відповідно до місцевих правил і не викидайте старий виріб і його упаковку разом із звичайними побутовими відходами. Правильна утилізація упаковки, виробу та/або акумуляторів допоможе запобігти потенційним негативним наслідкам для довкілля та здоров'я людей. Акумулятори слід утилізувати окремо від потоку комунальних відходів через спеціальні місця для збору. Під час утилізації виробу, що містить акумулятор, який не може замінювати користувач, такий акумулятор має вилучати професіонал.

**УВАГА:** Нижче ви знайдете все пояснення з числовими посиланнями на значки, відповідно, перед цими інструкціями з безпеки: 01. Цей виріб призначено для встановлення лише в приміщеннях. 02. Виріб не призначено для встановлення у ванних кімнатах або приміщеннях вказаній зоні. 03. Виріб не призначено для встановлення безпосередньо на звичайній вогнебезпечній поверхні. 04. Виріб не можна вкривати теплоізоляційним матеріалом. 05. Виріб призначено лише для встановлення на стелі. 06. Виріб призначено лише для встановлення на стіні. 07. Виріб призначено для встановлення на стіні або стелі. 08. Завжди беріть до уваги мінімальну відстань, яку вказано на значку, між лампою й об'єктом, що освітлюється. 09. IPX1: виріб захищено від води, що крапає. (IPX3: виріб може зазнавати впливу дощових крапель (падаючих крапель під максимальним кутом 60° за вертикальною віссю). IPX4: виріб захищено від бризок— він може зазнавати впливу бризок із будь-якого боку (360°). IPX5: виріб захищено від струменів води. IPX7: виріб можна встановлювати в землю. IPX8: виріб можна занурювати у воду до вказаної глибини. IPX9: виріб має захист від пилу. IPX6: виріб є пилонепроникним. 10. Негайно замінюйте тріснуте або зламане захисне скло й використовуйте лише безороскатні деталі таких самих розмірів із мінімальною товщиною 3 мм. 11. Клас захисту I: виріб або компонент оснащено без'єднанням для заземлення. Провід заземлення (жовто-зелений) необхідно з'єднати з клемою, відміченою логотипом класу I. 12. Клас захисту II: виріб або компонент постачається з подвійною або посиленою ізоляцією. 13. Клас захисту III: виріб або компонент призначено лише для джерела безпечної наднизької напруги (< 50 В змін. струму; < 120 В пост. струму). 14. Захищено ізоляцією, як вказано на значку. 15. Провід заземлення має бути довшим, ніж коричневий провід під напругою (L) та синій нейтральний провід (N). 16. Для незачислених проводів обов'язково мають використовуватися термостійкі ізоляційні трубки. 17. Виріб призначено лише для під'єднання безпосередньо до електромережі. 18. У разі пошкодження проводки: X-з'єднання— замінити проводом такого ж типу. Для уникнення ризиків Y-з'єднання може замінити лише виробник, дистрибутор або спеціаліст. Z-з'єднання— не можна замінювати шнур, оскільки світильник не буде працювати. 19. МАКС. потужність у ватах: використовуйте лише лампи, які підходять для цього виробу, і не перевищуйте зазначену максимальну потужність у ватах. 20. Виріб призначено лише для використання

лампами-рефлекторами. 21. Виріб призначено лише для використання з лампами CFL та світлодіодними лампами (наприклад, E14, E27, GU10, Gx53 тощо). 22. Виріб не призначено для використання з лампами CFL та світлодіодними лампами (наприклад, E14, E27, GU10, Gx53 тощо). 23. Можна використовувати лише лампи діаметром 60 мм. Цей виріб не можна використовувати з лампами діаметром 45 мм. 24. Використовуйте лише лампи у формі кулі зазначеного діаметра. Ніколи не використовуйте звичайні лампи розжарювання. 25. Цей виріб призначено лише для використання з лампами у формі свічки. 26. Виріб призначено лише для використання з лампами з вбудованим захистом або низьким тиском. Додаткові захисні скло не потрібне. 27. Касульові і рідинні галогенових ламп не можна торкатися голими руками. 28. Виріб оснащено запобіжником. Якщо виріб вийшов із ладу після замирення лампи, необхідно замінити внутрішній запобіжник. Це має виконувати кваліфікований електрик, якщо можна отримати доступ до внутрішньої проводки. 29. Яскравість світла від виробу можна регулювати за допомогою світлорегулятора, який входить у комплект постачання, або світлорегулятора (не входить у комплект), підключеного до домашньої електричної системи. Довідкову інформацію див. на веб-сайті WiZconnected.com. Щоб вибрати потрібний тип світлорегулятора, зверніться до кваліфікованого електрика. 30. У виріб відсутня можливість регулювання яскравості. 31. У виробі є можливість регулювання яскравості ЛІШЕ за допомогою світлорегулятора в комплекті. Не підключаєте виріб до додаткового світлорегулятора. 32. Функції регулювання яскравості залежать від вибраної лампи. Докладніше про функції регулювання яскравості див. в інформаційній листівці в комплекті з лампою. 33. Виріб працює із захисним трансформатором. Замінюйте пошкоджені трансформатори лише на пристрій з ідентичними технічними характеристиками. Зверніться до кваліфікованого спеціаліста або в магазин. 34. Виріб є ударостійким. 35. Виріб має можливість налаштування часу і освітлення. Мінімальні і максимальні значення зазначено на значку. 36. Виріб можна встановлювати на максимальній висоті 6 м. 37. Для надійної роботи виріб потрібно встановити на висоті, зазначеній на значку. Також узказано мінімальний і максимальний радіус дії датчика руху. 38. Стандартний активний діапазон дії детектора указаний на значку в градусах. 39. Цей виріб потрібно встановити в горизонтальному положенні. Для продовження терміну експлуатації лампа не має перебувати під кутом понад 4 градуси. 40. Під час установки слідкуйте за тим, щоб тросвердлисті електропроводку або інші перешкоди не стінах чи на стелі 41. Якщо виріб встановлюється в стельовий або напінний монтажний короб, спочатку необхідно закрити короб кришкою (наприклад, у Нідерландах). 42. Електрична проводка ніколи не має затискатися або переплутуватися між виробом і монтажною поверхнею! 43. певні деталі виробу можуть нагріватися. 44. Цей виріб не підходить для використання дітьми молодше у р. 45. Виріб призначено лише для використання особами, які досягли у р. 46. Виріб має встановлюватися в недоступному для рук місці (X1: для дітей; X2: для дорослих). 47. Виріб мають встановлювати дві особи. 48. Щоб уникнути корозії, очищуйте світильник мінімум 2 рази на рік м'якою тканиною і нейтральним мийним засобом (4 рази в узбережних або промислових зонах). 49. Під час встановлення виріб можна налаштувати лише за допомогою спеціального інструмента. 50. Обережно: ризик ураження струмом! Заміну джерела світла, що міститься в цьому світильнику, може здійснювати тільки виробник, його агент із сервісного обслуговування чи особа із аналогічною кваліфікацією. 51. Джерело світла (лише світлодіод), яке може замінювати кінцевий користувач. 52. Джерело світла, яке може замінювати кінцевий користувач. 53. Джерело світла (лише світлодіод), яке може замінювати спеціаліст: світлодіодне джерело світла цього світильника може замінювати лише виробник, його представник із технічного обслуговування або особа, що має аналогічну кваліфікацію. 54. Джерело світла, яке може замінювати спеціаліст: джерело світла цього світильника може замінювати лише виробник, його представник із технічного обслуговування або особа, що має аналогічну кваліфікацію. 55. Джерело світла, яке не можна замінити: джерело світла в цьому світильнику не підлягає заміні. Коли закінчиться термін його служби, потрібно замінити весь світильник. 56. Керуючий ПРА, який може замінювати кінцевий користувач. 57. Керуючий ПРА, який може замінювати спеціаліст. 58. Керуючий ПРА, який не можна замінити. 59. Не використовуйте цей пристрій керування вологими руками, в умовах, за яких можливе пряме потраплення води, або на вулиці. 60. Не дивіться на ввімкнене джерело світла. Нормативи щодо енергетичного маркування (ЕС)2019/2015. 61. Цей виріб містить джерело світла класу енергоефективності А. 62. Цей виріб містить джерело світла класу енергоефективності В. 63. Цей виріб містить джерело світла класу енергоефективності С. 64. Цей виріб містить джерело світла класу енергоефективності D. 65. Цей виріб містить джерело світла класу енергоефективності E. 66. Цей виріб містить джерело світла класу енергоефективності F. 67. Цей виріб містить джерело світла класу енергоефективності G. Цей виріб спроектовано і розроблено лише для побутового використання виключно за нормальних робочих умов. Указаний на пакуванні термін служби є лише середнім значенням (згідно з нормами стандартів I70850 і IEC60969) і заснований на роботі в середньому до 3 годин на день. Якщо у вас виникнуть труднощі з використанням цього виробу, рекомендуємо спочатку скористатися посібником користувача і інформацією на нашому веб-сайті. Відповідно до наведених у цьому документі умов і положень виробник (Signify Netherlands B.V. International Business Reply Service I.B.R.S. / CCR.I. Numéro 10461 5600 VB Eindhoven, Нідерланди) гарантує, що виріб не містить дефектні матеріали і виготовлення на період 2 (два) років із дати придбання, якщо інше не вказано на або в пакуванні, і підлягає обслуговуванню згідно з інструкціями з очищення та догляду, наведеними в посібнику користувача, якщо інше не передбачено застосовними нормами законодавства. Наші зобов'язання за умовами гарантії будуть обмежені за нашим вибором у разі надання послуг із ремонту, заміни виробу з дефектами або надання відповідної знижки на виріб із дефектами. Гарантія не вклучає витрати на монтаж і демонтаж та/або встановлення і зняття, а також вартість роботи, витрати на пошкоджене скло, батареї та зміни лампи. Наші відшкодування, згідно з умовами цієї гарантії, не поширюватимуться й не поновлюватимуться протягом початкового гарантійного періоду. Ми маємо право на власний розсуд замінити гарантійний виріб аналогом із незначними відмінностями в характеристиках та/або конструкції, які не впливають на функціональність. Щоб мати право на подання дійсної гарантійної претензії за умовами цієї гарантії, ви маєте надати нам (або нашому представнику) чек на придбання та дефектний виріб для аналізу. Максимальною мірою, передбаченою застосовним законом, ця політика визначає нашу повну відповідальність як виробника у зв'язку з дефектними виробами або виробами, що не відповідають зазначеним характеристикам. Ми не несемо відповідальності за інші витрати або прямі чи непрямі збитки (зокрема, втрату даних або прибутку), а також не маємо відшкодувати вам вартість процедур, які ви виконували самі (наприклад, технічне обслуговування, збереження або відновлення даних). Ця доповідь надана гарантією виробника не обмежує ваші права за застосовним законодавством. Якщо ви надасте виріб у сервісний центр у країні, у якій ви не купували його, ми спробуємо надати відповідні послуги згідно з умовами гарантії країни, де ви придбали виріб.

#### **Етапи установки**

Будь ласка, зверніться до посібника з інсталяції для отримання докладної інформації.

Відкрийте програму WIZ, щоб підключити пристрій (див. Керівництво по швидкому запуску для отримання більш докладної інформації про роботу додатка WIZ).

#### **Гарантія**

Гарантія тільки при строгому дотриманні умов експлуатації. Для додаткової інформації, відвідайте наш веб-сайт:  
<https://www.wizconnected.com/en/consumer/support/>

#### **Технічні характеристики бездротового підключення:**

Смуга частот, що використовується для бездротового підключення: 2400–2483,5 МГц

Максимальна потужність передавання:

Wi-Fi: максимум 20 дБм

Bluetooth: максимум 10 дБм

Продукти не можна використовувати з регуляторами яскравості, які використовуються з програмою WIZ для регулювання яскравості.

Функції ввімкнення/вимкнення доступні без підключення Wi-Fi.

Справжнім Сігніфай заявляє, що тип радіобладнання світильник WIZ відповідає Директиві 2014/53 / ЄС. Повний текст декларації відповідності ЄС доступний за наступною адресою в Інтернеті: [wizconnected.com](http://wizconnected.com).

Wi-Fi®, логотип Wi-Fi і логотип Wi-Fi CERTIFIED є зареєстрованими торговельними марками Wi-Fi Alliance.

Wi-Fi CERTIFIED™, WPA2™, WPA3™ є торговельними марками Wi-Fi Alliance.

Слово Bluetooth® і логотипи є зареєстрованими торговельними марками, що належать Bluetooth SIG, Inc.

Amazon, Alexa та всі пов'язані логотипи є торговельними марками Amazon.com, Inc. або її афілійованих компаній.

Google, Google Play і логотип Google Play є торговельними марками Google LLC.

Логотип Apple і Siri є зареєстрованими торговельними марками Apple Inc.

Будь-яке використання таких торговельних марок регулюється ліцензією Signify.

Інші торговельні марки та знаки є власністю відповідних компаній.



نطاق التردد اللاسلكي لوضع التردد اللاسلكي، 2400 - 2483.5 ميجاهرتز  
القدرة المرسلة القصوى: 20 ديسيبل  
شبكة WiFi لقنوات التشغيل، 13/9 قناة  
تقنية Bluetooth لقنوات التشغيل، 4 - 4 قناة

#### المواصفات اللاسلكية:

نطاق التردد اللاسلكي لوضع التردد اللاسلكي، 2400 - 2483.5 ميجاهرتز  
القدرة المرسلة القصوى

20 Wi-Fi ديسيبل بحد أقصى

Bluetooth 10 ديسيبل بحد أقصى

لا يجوز استخدام المنتجات مع أدوات الحفث، لتتبع استخدام تطبيق WIZ  
وظيفة تشغيل / الإيقاف متاحة بدون اتصال Wi-Fi.

وبالتالي، تعلن Signify أن نوع المعدات اللاسلكية مصابيح WIZ متوافقة مع التوجيه 0305/2017/UE (RED)  
يؤثر النص الكامل لإعلان المطابقة الخاص بالاتحاد الأوروبي على الموقع التالي عبر الإنترنت: [moddetennocznosc.pl](http://moddetennocznosc.pl)

بعد Wi-Fi وشعار Wi-Fi CERTIFIED علامات تجارية مسجلة لشركة Amazon.com

Wi-Fi Alliance و WPA2™ و WPA3™ علامات تجارية مسجلة لشركة Wi-Fi Alliance

كما أن كلمة "Bluetooth والشعارات كلها علامات تجارية مسجلة لمملوكة لشركة Bluetooth SIG, INC

Amazon و Alexa وجميع الشعارات ذات الصلة هي علامات تجارية لشركة Amazon.com, Inc أو الشركات التابعة لها.

كما أن Google علامة تجارية لشركة Google LLC و Siri علامة تجارية مسجلة لشركة Apple Inc

أي استخدام لهذه العلامات من قبل Signify بموجب ترخيص.

العلامات التجارية والأسماء التجارية الأخرى هي تلك العلامات والأسماء الخاصة بمالكها المعنيين.

3241 661 05701

Last update: 08/2023