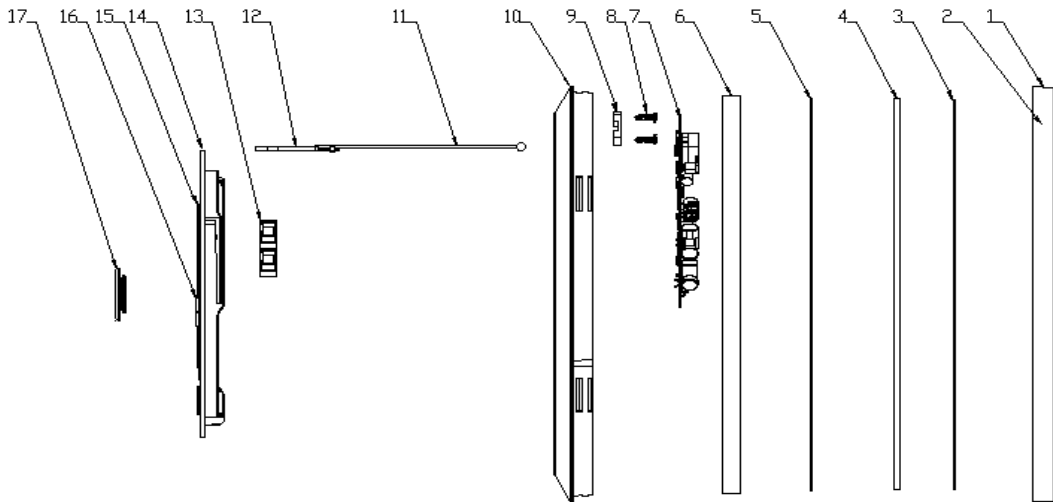


Dismantling Recommendation on Disposal at End of Life

Composition Explanation



No.	Components	Specifications	Unit	Quantity
1	ring	PC110U	PCS	1
2	8*1.5 EVA foam Black	EVA	cm	72
3	Diffuser	PC	PCS	1
4	Light guide Plate	PMMA	PCS	1
5	Reflection paper	PET	PCS	1
6	Light Source	AL	PCS	1
7	driver		PCS	1
8	ST3*8 screw	iron	PCS	2
9	Pressure line code	PC110U	PCS	1
10	Housing	PC110U	PCS	1
11	Lifting rope		PCS	1
12	Pothook		PCS	1
13	Terminal blocks	PP	PCS	2
14	Canopy	PC110U	PCS	1
15	Ring EVA foam	EVA	PCS	1
16	EVA foam for screw	EVA	PCS	3
17	Silica gel plug	silica gel	PCS	1

Dismantling Recommendation on Disposal at End of Life

Dismantling

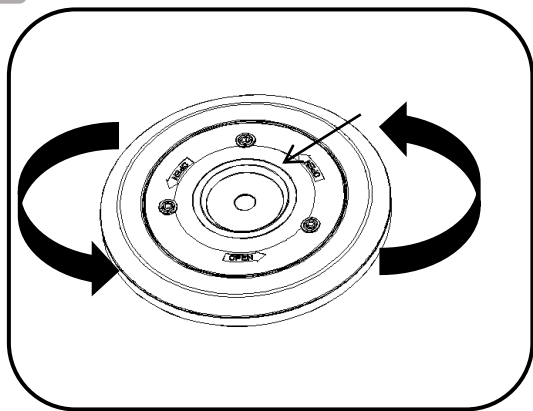
- Type: Without permanent damage

Recommendation on Disposal

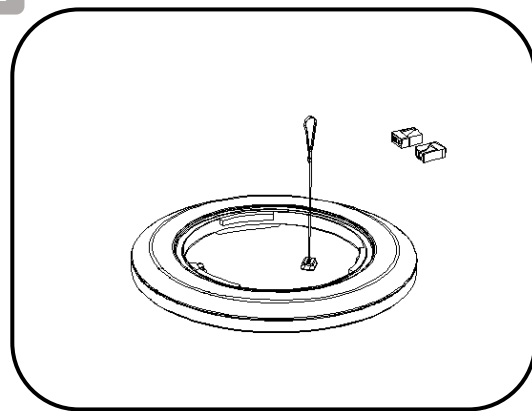
- Plastic part: Reuse and Recycling
- Electrical part: Incineration and disposal
- Metal part: Recycling

Light source dismantling process

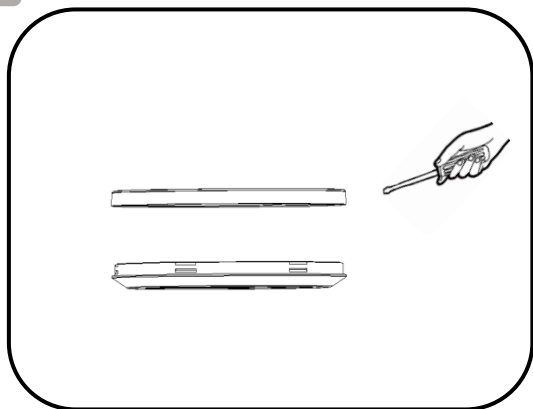
1



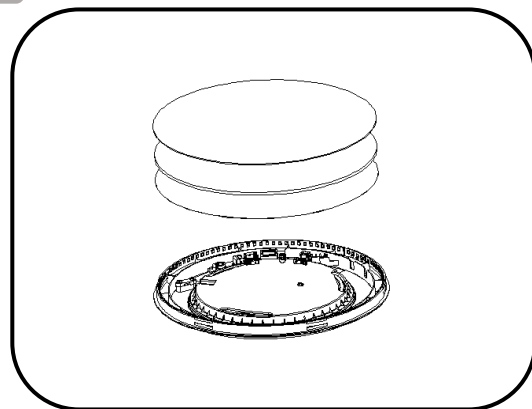
2



3

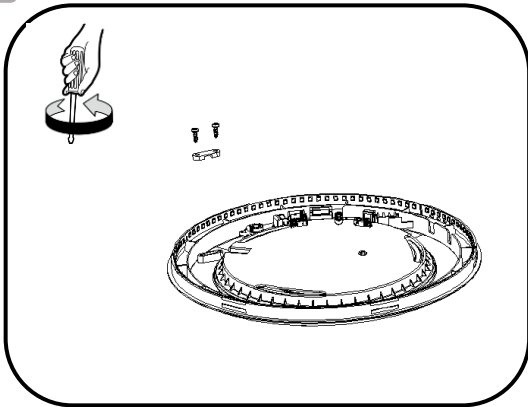


4

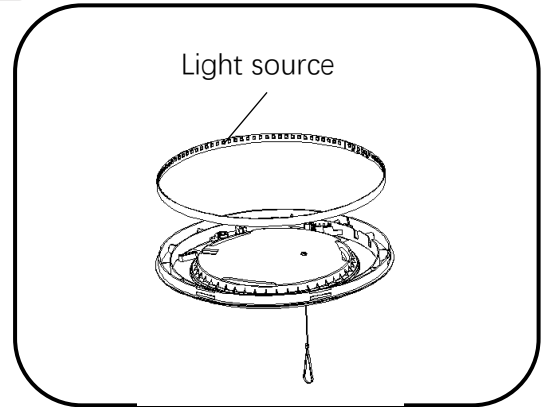


Dismantling Recommendation on Disposal at End of Life

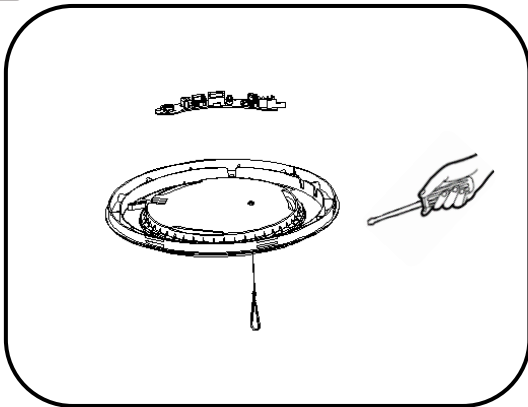
5



6



7



8

