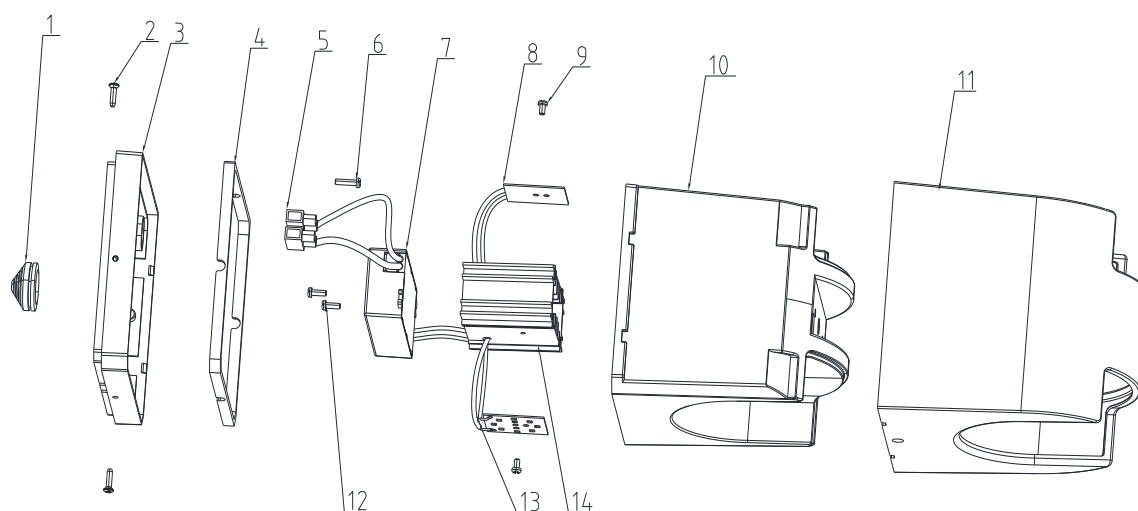


## Dismantling Recommendation on Disposal at End of Life

### Composition Explanation



No.	Components	Specifications	Unit	Quantity
1	φ27 gromet	TPE white	Pcs	1
2	BT3*10 screw	SS 304	Pcs	2
3	G03166 16OU1 wall plate	ABS black	Pcs	1
4	G03166 16OU1 gasket	Rubber	Pcs	1
5	terminal block	PA10	Pcs	1
6	ST2.9*14 screw	Zinc coated	Pcs	1
7	PYS-10-350 10W driver		Pcs	1
8	YL20-6-8DB4W-C006		Pcs	2
9	M3*5 screw	Zinc coated	Pcs	2
10	G03166 16OU1 diffuser	PC110U	Pcs	1
11	G03166 16OU1 cover	ADC12	Pcs	1
12	BT2.9*8 screw	Zinc coated	Pcs	2
13	Wire	VDE H05 S-K 1X0.75MM <sup>2</sup>	Pcs	1
14	G03316 16OU1 heat sink	6063	Pcs	1
15	G03166 16OU1 diffuser gasket	rubber	Pcs	1

## Dismantling Recommendation on Disposal at End of Life

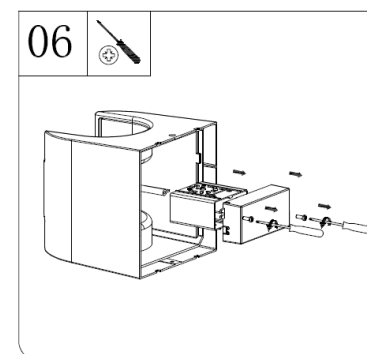
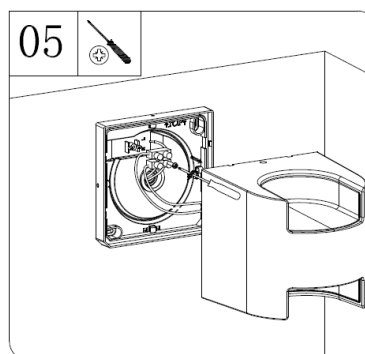
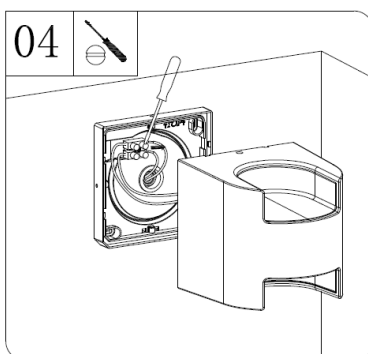
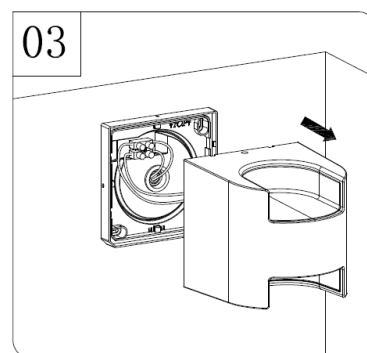
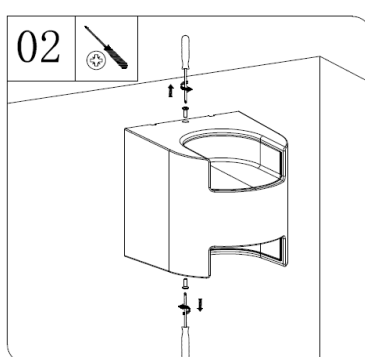
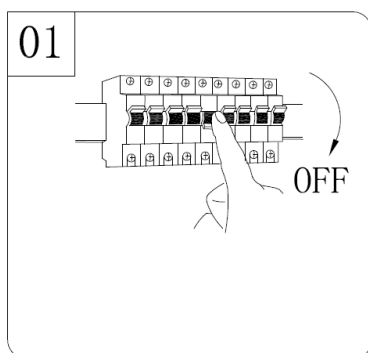
### Dismantling

- Type: Without permanent damage

### Recommendation on Disposal

- Plastic part: Reuse and Recycling
- Electrical part: Incineration and disposal
- Metal part: Recycling

### Light source dismantling process



## Dismantling Recommendation on Disposal at End of Life

