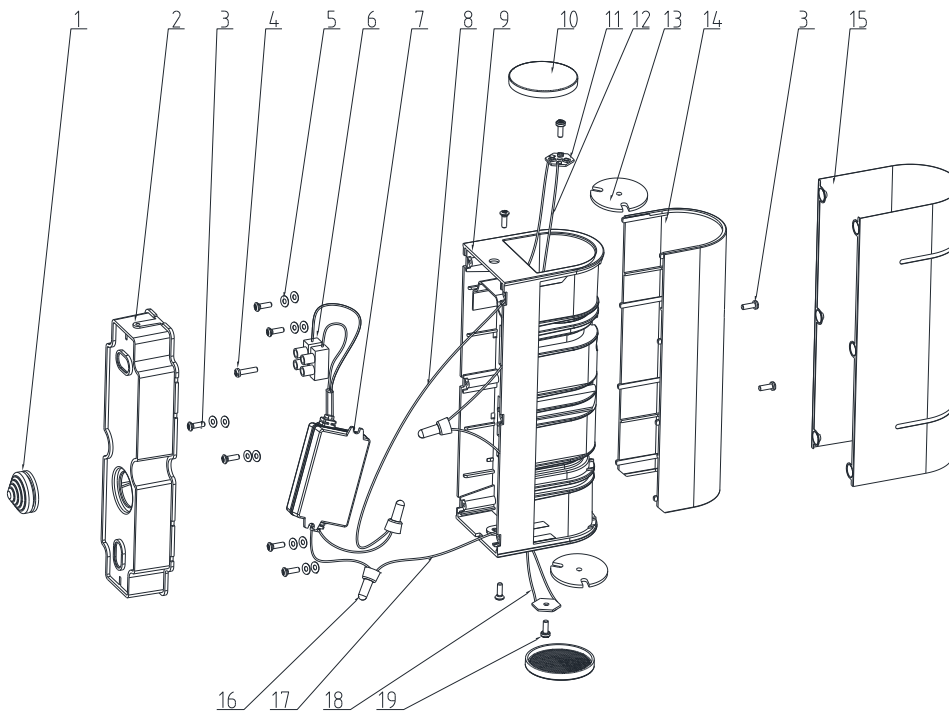


Dismantling Recommendation on Disposal at End of Life

Composition Explanation



| No. | Components | Specifications | Unit | Quantity |
|-----|---------------------|-----------------------------------|------|----------|
| 1 | φ27 gromet | TPE | PCS | 1 |
| 2 | G00419 wall plate | ABS | PCS | 1 |
| 3 | BT3*8 screw | SS 304 | PCS | 10 |
| 4 | ST2.9*14 screw | Zinc coated | PCS | 1 |
| 5 | 7MM plastic washer | PC | PCS | 12 |
| 6 | Terminal block | PA10 | PCS | 1 |
| 7 | YL5W150-030P driver | | PCS | 1 |
| 8 | VDE blue wire | VDE H05 S-K 1X0.75MM ² | PCS | 1 |
| 9 | G00419 cover | ABS | PCS | 1 |
| 10 | G00419 lens | PC | PCS | 2 |
| 11 | YL20-6-8DB1W-C008 | | PCS | 2 |
| 12 | VDE brown wire | VDE H05 S-K 1X0.75MM ² | PCS | 1 |
| 13 | G00419 heat sink | AL | PCS | 2 |

Dismantling Recommendation on Disposal at End of Life

Composition Explanation

| No. | Components | Specifications | Unit | Quantity |
|-----|----------------------|-----------------------------------|------|----------|
| 14 | G00419 diffuser | PC | PCS | 1 |
| 15 | G00419 SS cover | SS 201 | PCS | 1 |
| 16 | Closed end connector | | PCS | 3 |
| 17 | VDE brown wire | VDE H05 S-K 1X0.75MM ² | PCS | 1 |
| 18 | VDE blue wire | VDE H05 S-K 1X0.75MM ² | PCS | 1 |
| 19 | BT3*8 screw | Zinc coated | PCS | 2 |

Dismantling Recommendation on Disposal at End of Life

Dismantling

- Type: Without permanent damage

Recommendation on Disposal

- Plastic part: Reuse and Recycling
- Electrical part: Incineration and disposal
- Metal part: Recycling

Light source dismantling process

