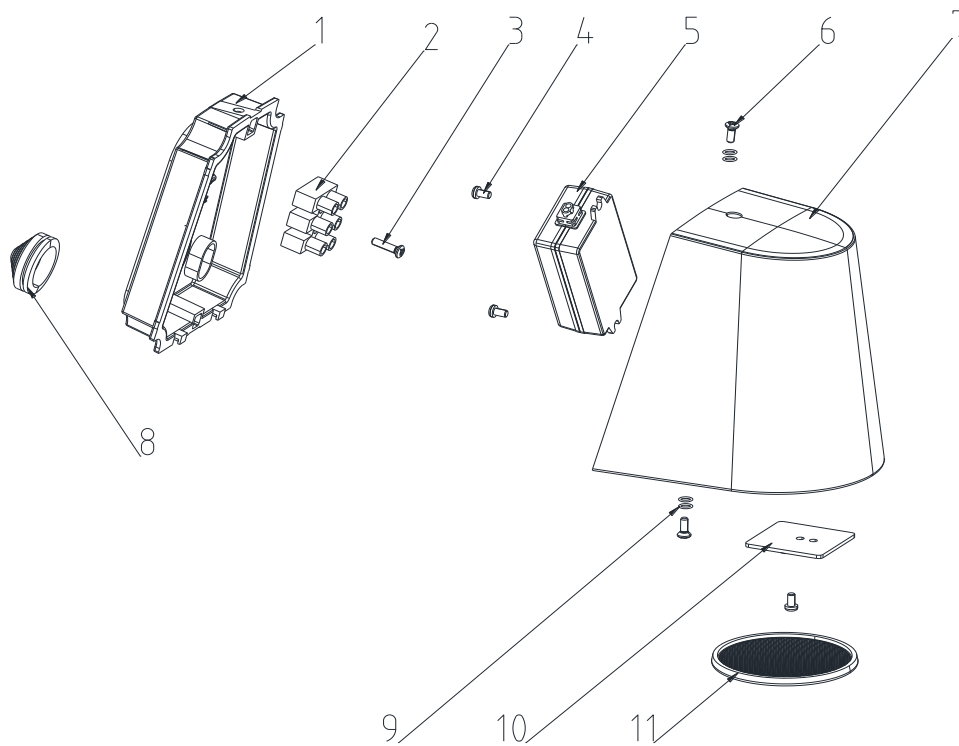


Dismantling Recommendation on Disposal at End of Life

Composition Explanation



No.	Components	Specifications	Unit	Quantity
1	17287G wall plate	ABS	PCS	1
2	Terminal block	PA10	PCS	1
3	ST2.9*14 screw	Zinc coated	PCS	1
4	M3*5 screw	Zinc coated	PCS	3
5	YL5W150-030P driver		PCS	1
6	BT3*8 screw	SS 304	PCS	2
7	17287G body	ADC12	PCS	1
8	φ27 gromet	TPE	PCS	1
9	7MM washer	PC	PCS	4
10	YL20-6-8DB4W-C006		PCS	1
11	17288G diffuser	PC	PCS	1

Dismantling Recommendation on Disposal at End of Life

Composition Explanation

No.	Components	Specifications	Unit	Quantity
12	φ4 teeth washer	Zinc coated	PCS	1
13	M4*8 screw	Zinc coated	PCS	1
14	φ4 spring washer	SS	PCS	1
15	Earthing wire	H05V-K 1*0.75MM2	PCS	1

Dismantling Recommendation on Disposal at End of Life

Dismantling

- Type: Without permanent damage

Recommendation on Disposal

- Plastic part: Reuse and Recycling
- Electrical part: Incineration and disposal
- Metal part: Recycling

Light source dismantling process

