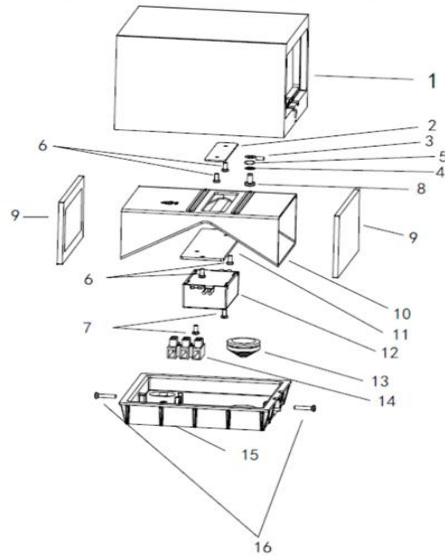


Dismantling Recommendation on Disposal at End of Life

Composition Explanation



No.	Components	Specifications	Unit	Quantity
1	172093016 body	ADC12	PCS	1
2	172093016 L2	YL20-7-8DB4W-C015	PCS	1
3	Earthing wire		PCS	1
4	φ4 teeth washer	SS 304	PCS	1
5	φ4 spring washer	SS 304	PCS	1
6	M3*5 screw	Zinc coated	PCS	4
7	M3*6 screw	Zinc coated	PCS	2
8	M4*6 screw	Zinc coated	PCS	1
9	172093016 glass		PCS	2
10	172093016 reflector	ABS	PCS	1
11	172093016 sheet	AL	PCS	1
12	YL5W150-030P	YL5W150-030P	PCS	1
13	φ27 gromet	TPE	PCS	1
14	Terminal block	PA10	PCS	1
15	172093016 wall plate	ABS	PCS	1
16	BT3*14 screw	SS 304	PCS	2

Dismantling Recommendation on Disposal at End of Life

Dismantling

- Type: Without permanent damage

Recommendation on Disposal

- Plastic part: Reuse and Recycling
- Electrical part: Incineration and disposal
- Metal part: Recycling

