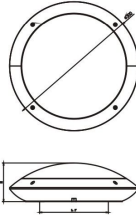


EN Installation Instructions
 DE Montageanleitung
 CZ Montážní návod
 DK Monteringsvejledning
 EE Paigaldusjuhend
 FI Asennusohje
 FR Notice de montage
 HU Szerelési útmutató

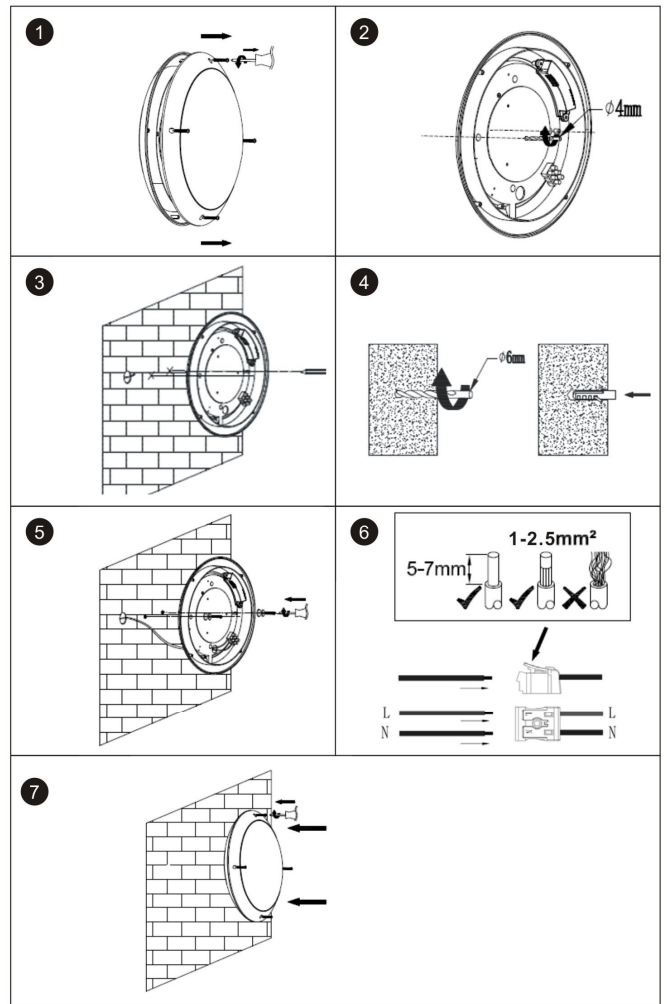
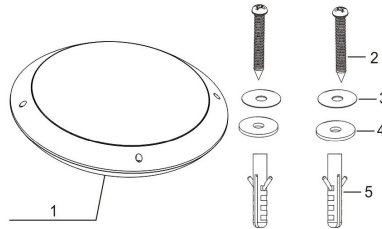
IT Istruzioni di montaggio
 LT Montavimo Instrukcijos
 LV Instalācijas instrukcija
 NO Monteringsanvisning
 PL Instrukcja montażu
 SE Installationsanvisning
 RU Инструкция по монтажу
 CN 安装说明书

- ⚠ 1. Installation and commissioning may only be carried out by authorized specialists and wired in accordance with the latest IEE electrical regulations or the national standards.
 2. Mains power must be switched off before carrying out installation.
 3. The manufacturer, shall not be liable for any damage resulting from inappropriate modifications to the luminaire or faulty installation.
 4. The light source contained in this luminaire shall only be replaced by the manufacturer or his service agent or a similar qualified person.
 ⚡ 5. Caution, risk of electric shock.
 The control gear provides basic insulation between the LV supply and the control circuit

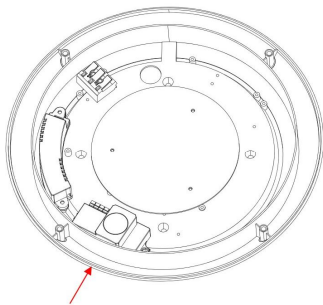
Product Description	Wattage	SAP Code	L	W	H	LF
TOM LED 300 1200 840 WH	18W	96666080	300	300	89.5	160
TOM LED 300 1200 840 BLK	18W	96666081	300	300	89.5	160
TOM LED 300 1200 840 MWS WH	18W	96666082	300	300	89.5	160
TOM LED 300 1200 840 MWS BLK	18W	96666083	300	300	89.5	160
TOM LED EYE 300 900 840 WH	18W	96666084	300	300	94.2	160
TOM LED EYE 300 900 840 BLK	18W	96666085	300	300	94.2	160
TOM LED EYE 300 900 840 MWS WH	18W	96666086	300	300	94.2	160
TOM LED EYE 300 900 840 MWS BLK	18W	96666087	300	300	94.2	160



1	x1
2	x2
3	x2
4	x2
5	x2



MWS



1. Sensibilité/Sensitivity

	1	2
I - 100%	●	●
II - 75%	●	○
III - 50%	○	○
IV - 10%	○	○

2. Durée/Hold-time

	3	4
I - 5s	●	●
II - 90s	●	○
III - 5min	○	○
IV - 15min	○	○

3. Luminosité/Daylight sensor

	5	6
I - Disable	●	●
II - 50Lux	●	○
III - 10Lux	○	○
IV - 2Lux	○	○

