

EN Installation Instructions
DE Montageanleitung
CZ Montážní návod
DK Monteringsvejledning
EE Paigaldusjuhend
FI Asennusohje
FR Notice de montage
HU Szerelési útmutató

IT Istruzioni di montaggio
LT Montavimo Instrukcijos
LV Instalācijas instrukcija
NO Monteringsanvisning
PL Instrukcja montażu
SE Installationsanvisning
RU Инструкция по монтажу
CN 安装说明书

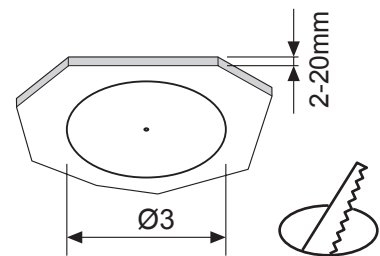
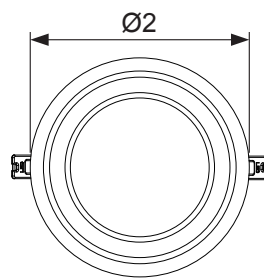
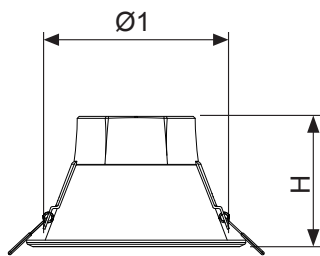


1. Installation and commissioning may only be carried out by authorized specialists and wired in accordance with the latest IEE electrical regulations or the national standards.
2. Mains power must be switched off before carrying out installation.
3. The manufacturer, shall not be liable for any damage resulting from inappropriate modifications to the luminaire or faulty installation.
4. Indoor use only.
5. The light source contained in this luminaire shall only be replaced by the manufacturer or his service agent or a similar qualified person.
6. Caution, risk of electric shock.

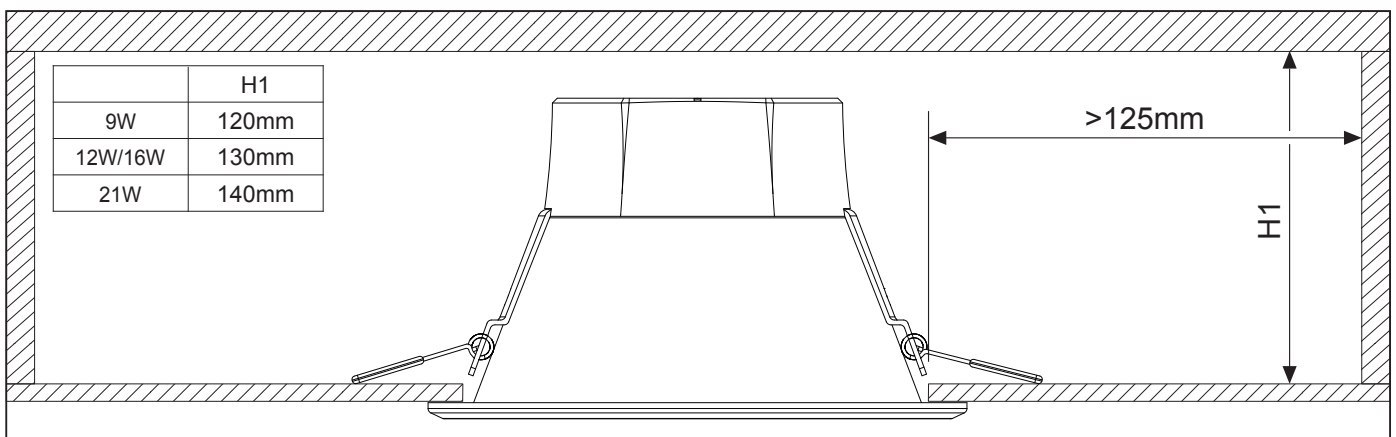


The control gear provides basic insulation between the LV supply and the control circuit

Product Description	Wattage	SAP Code	Product Description	Wattage	SAP Code
AMY 100 LED DL 800 830	9W	96665583	AMY 150 LED DL 1000 830	12W	96628352
AMY 100 LED DL 800 840	9W	96665584	AMY 150 LED DL 1000 840	12W	96628353
AMY 150 LED DL 1500 830	16W	96665585			
AMY 150 LED DL 1500 840	16W	96665586			
AMY 200 LED DL 2000 830	21W	96665587			
AMY 200 LED DL 2000 840	21W	96665588			

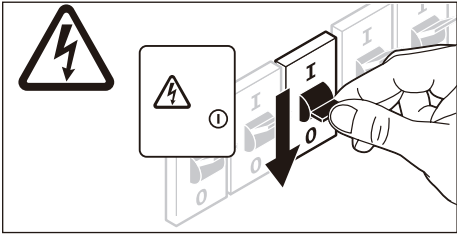
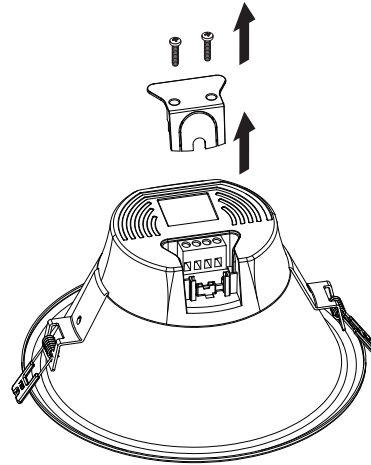
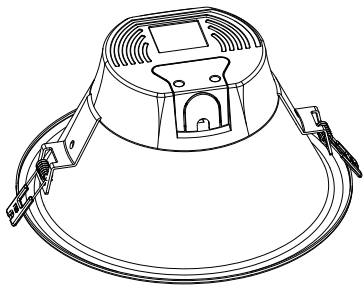


	H	Ø1	Ø2	Ø3
9W	88mm	99mm	117mm	105mm
12W/16W	100mm	142mm	167mm	150mm
21W	110mm	193mm	217mm	200mm

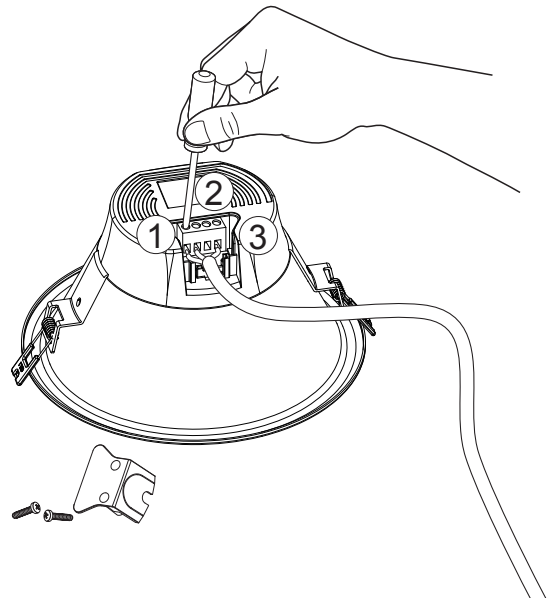
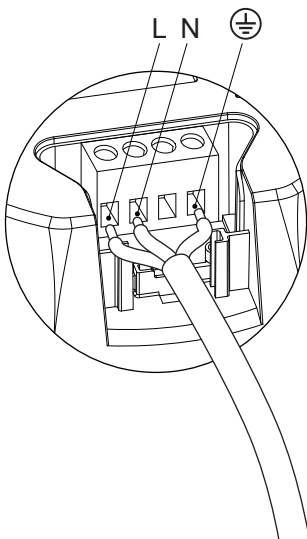


AMY LED

1 Turn-off Voltage, open the wire fixing cover.



2 Connect "L" "N" "safe ground wire", then close the wire fixing cover.



3 Install the luminaires to the corresponding location.

