

CONTROL DEVICE



REFERENCE STANDARDS

EN 60669-1
Switches for household and similar fixed-electrical installation.
Part 1: general requirements.

VERSIONS

	One way switch single pole - flush mounting - surface mounting
	Two way switch single pole - flush mounting - surface mounting
	Intermediate switch - flush mounting - surface mounting
	Bell push switch single pole - flush mounting - surface mounting
	Double pole switch - flush mounting - surface mounting

TECHNICAL CHARACTERISTICS

Rated current:	10A-10AX-20A-20AX
Rated voltage:	250V~
Frequency:	50Hz
Insulating voltage:	250V~
Protection degree:	IP66
Operating temperature:	-20°C +60°C
Cabling capacity of the terminal:	3x2,5mm² 2x4mm² 1x6mm²
Glow Wire test:	650°C/850°C
Halogen free:	Yes
Material:	Engineering plastic
Cable inlet:	M20
Colour:	Grey RAL 7035
LED colour:	Orange

BEHAVIOUR WITH CHEMICAL AND ATMOSPHERIC AGENTS

Saline solution	Acids		Bases		Solvents				Mineral oil	UV rays
	Concentrated	Diluted	Concentrated	Diluted	Hexane	Benzol	Acetone	Alcohol		
Resistant	Limited Resistance	Resistant	Limited Resistance	Resistant	Resistant	Not Resistant	Not Resistant	Resistant	Limited Resistance	Resistant

UNSWITCH SOCKET OUTLETS



TECHNICAL CHARACTERISTICS

Rated current:	10A-13A-15A-16A
Rated voltage:	250V~
Frequency:	50Hz
Insulating voltage:	250V~
Protection degree:	IP66
Operating temperature:	-5°C +60°C
Installation temperature:	-20°C +60°C
Cabling capacity of the terminal:	10A: 0,75 mmq - 2,5 mmq 13A: 2,5 mmq - 6 mmq 15A: 2,5 mmq - 6 mmq 16A: 1 mmq - 2,5 mmq (according to ref. standard)
Glow Wire test:	650°C / 850°C
Halogen Free:	Yes
Material:	Engineering plastic
Cable inlets:	M20
Colour:	Base: Grey RAL 7035 Cover: smoke-tinted transparent

The IP66 degree of protection with the plug inserted is guaranteed mainly with angled plugs which can be coupled with the respective Standard sockets. This is the breakdown for the main Italian and European standards (Europe mainland):

	Italian bivalent standard 16A P17/P11	Italian standard - 16A P30	German standard 16A	French standard - 16A P31
Plug 10A 2P+E extra flat SPA11	137.4403 137.6403	137.4404 137.6404	137.4412 137.6412 137.4407 137.6407	137.4411 137.6411
Plug 10A 2P straight S10 "Europlug"				
Plug 10A 2P+E straight S11				
Plug 16A 2P+E straight S30				
Plug 16A angled S30				
Plug 16A angled S31				

AVAILABLE STANDARDS

 ITALIAN STANDARD P17/11 - 16A Shuttered socket CEI 23-50	 ITALIAN STANDARD P30 - 16A Shuttered socket CEI 23-50	 GERMAN STANDARD - 16A Shuttered socket DIN VDE 0620	 FRENCH STANDARD - 16A Shuttered socket NFC 61-314	 BRITISH STANDARD - 13A Shuttered socket BS 1363-2 BS 7288:1990
 BRITISH STANDARD - 15A Shuttered socket BS 546	 ARGENTINIAN STANDARD - 10A Unshuttered socket IRAM 2071	 NEOZELANDER STANDARD - 10A Unshuttered socket AS/NZS 3112	 SWISS STANDARD - 10A Unshuttered socket SEV 1011:1998	 BRAZILIAN STANDARD - 10A Unshuttered socket ABNT NBR 14136:2002

ENCLOSURES



VERSIONS

	Empty 1-module enclosure - flush mounting - surface mounting
	Empty 2-module enclosure - flush mounting - surface mounting
	Pole side by side enclosure
	Pole-top enclosure
	3-module flush-mounting box adapter IP55

REFERENCE STANDARDS

EN 60670-1 (2005-10)
Boxes and enclosures for electrical accessories for household and similar fixed electrical installations.
Part 1: general requirements.

TECHNICAL CHARACTERISTICS

Protection degree:	IP66 (*)
Operating temperature:	-5°C +60°C
Installation temperature:	-20°C +60°C
Glow Wire test:	650°C
Halogen free:	Si
Material:	Engineering plastic
IK degree at 20°C:	IK07
Cable inlets:	M20
Colour:	Base: grey RAL 7035 Cover: smoke-tinted transparent

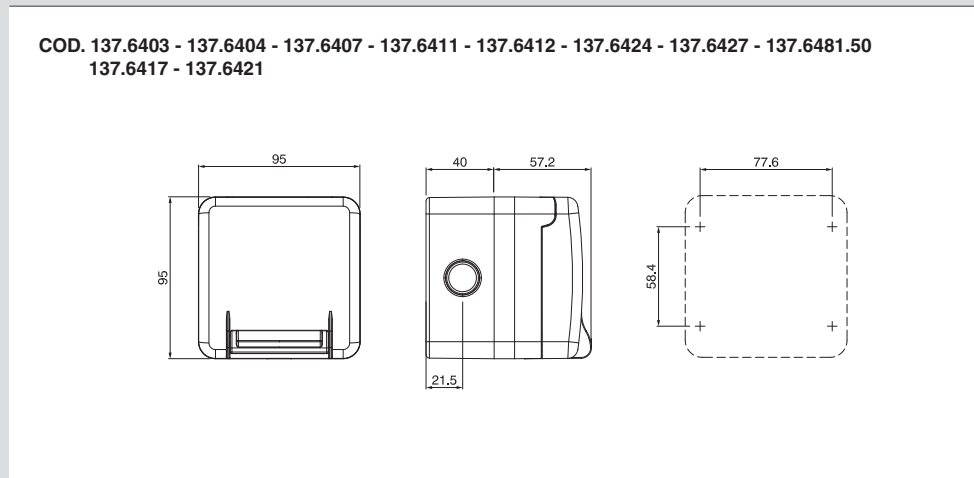
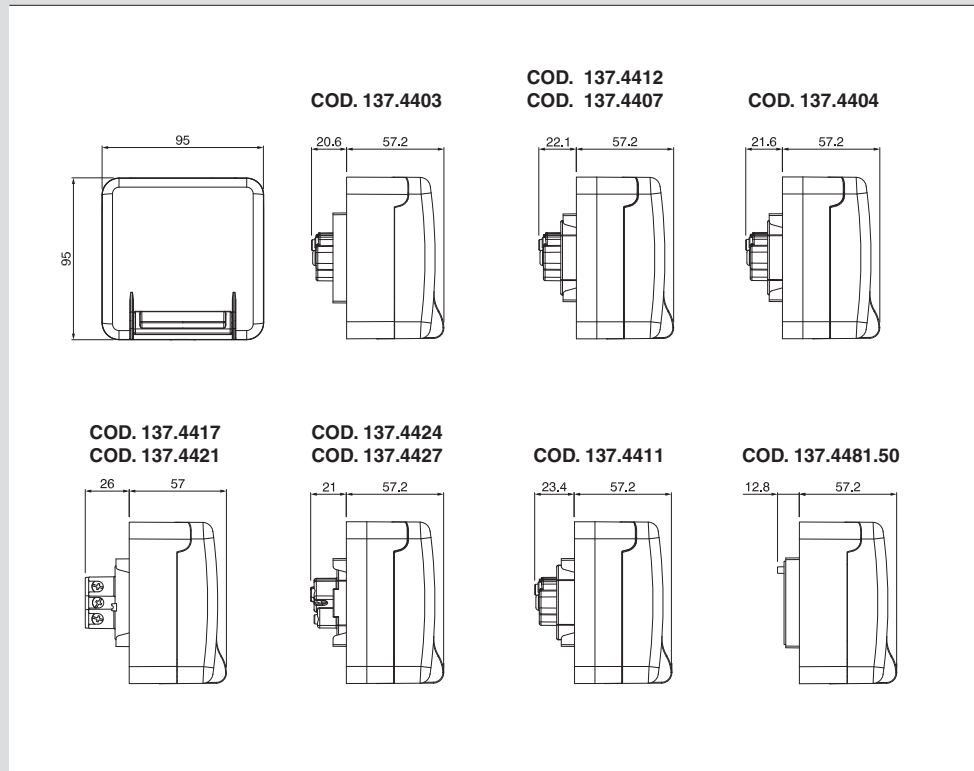
(*) IP55 for 3-module flush-mounting box adapter flange.



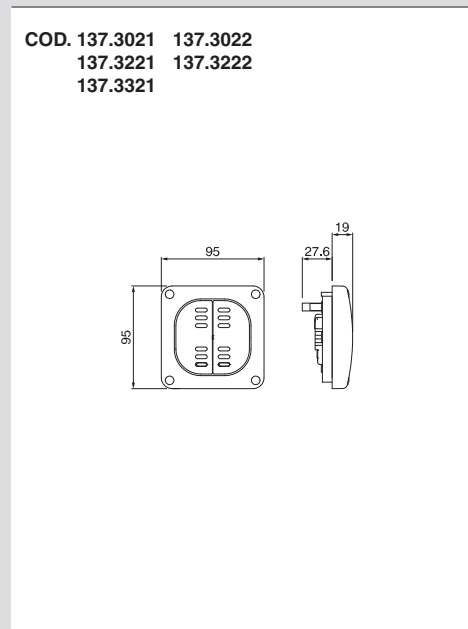
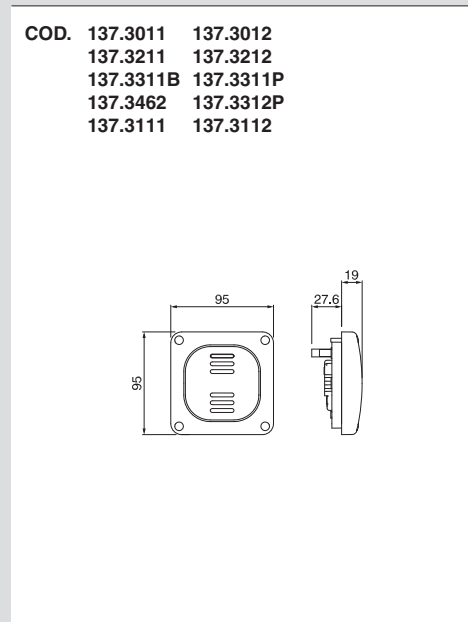
APPLICATION EXAMPLES



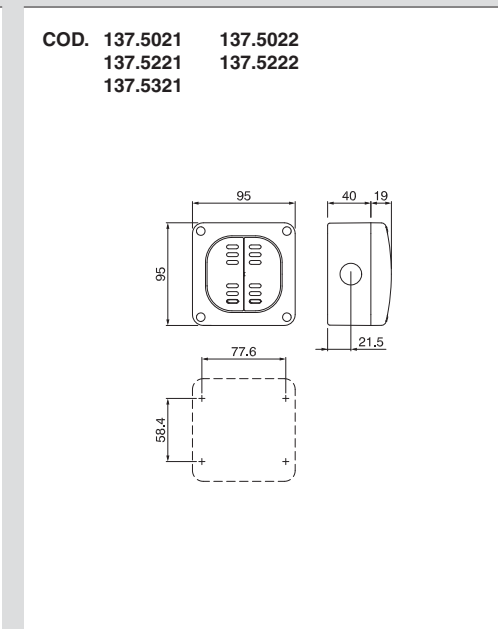
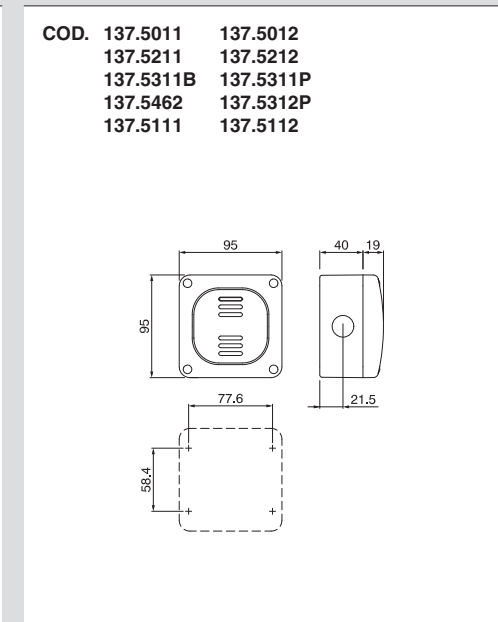
DIMENSIONS



(Dimensions in mm)



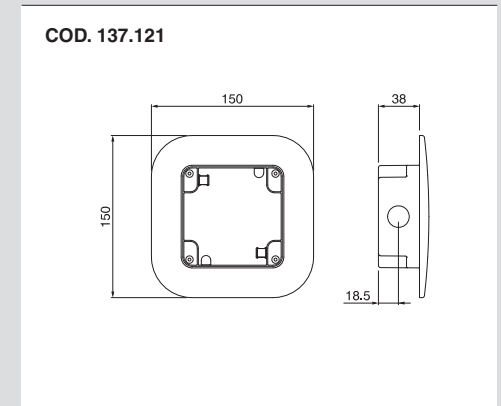
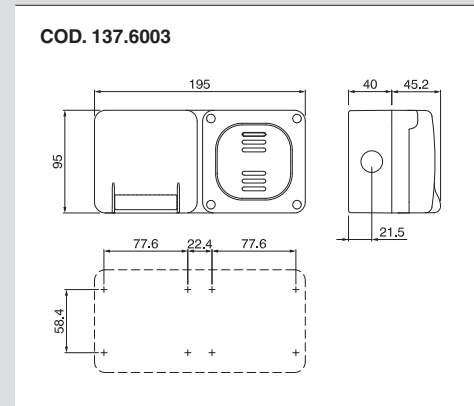
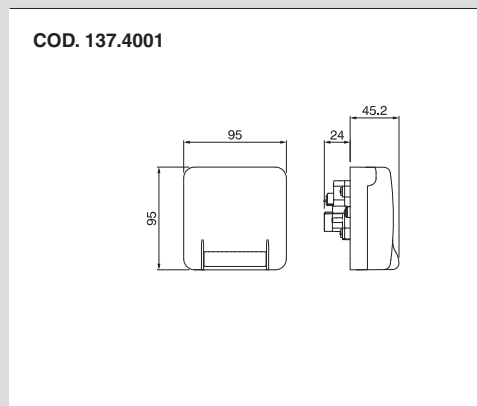
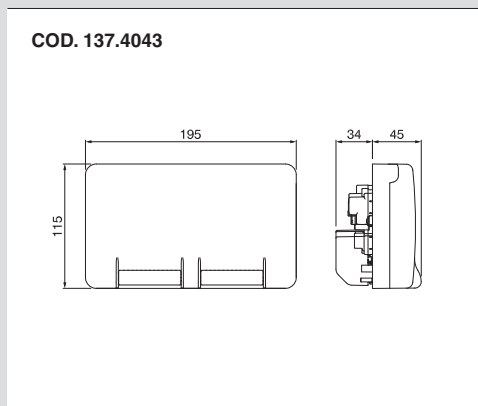
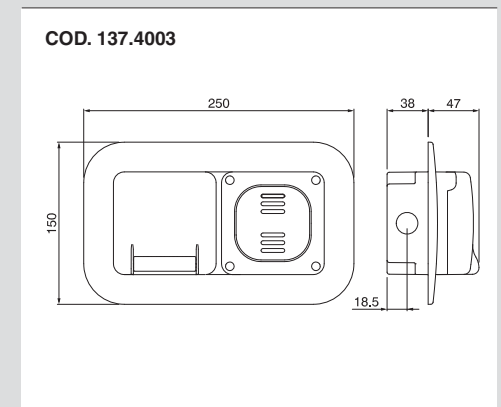
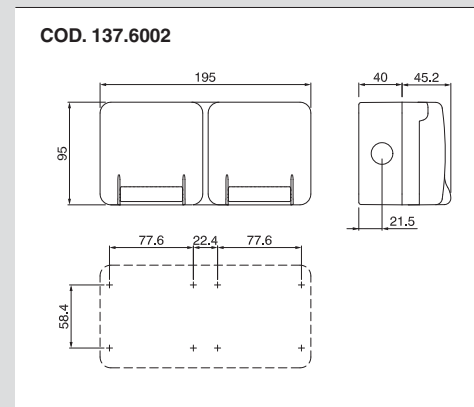
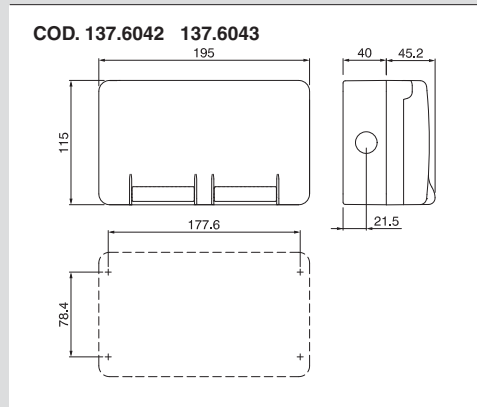
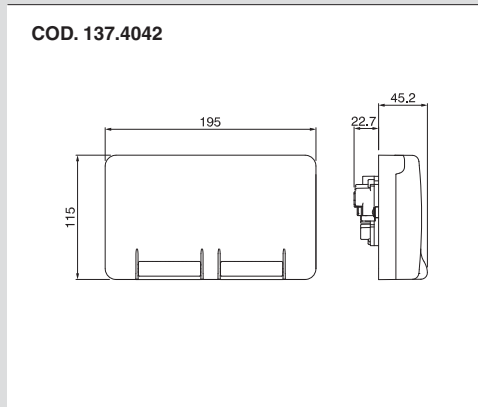
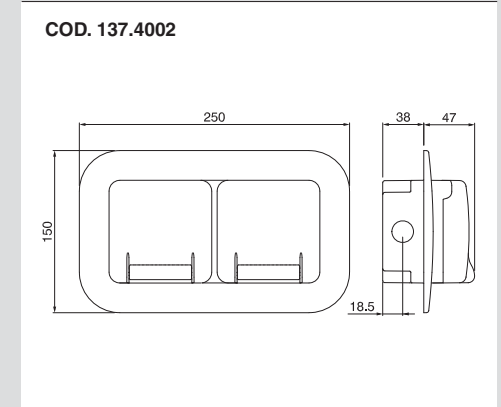
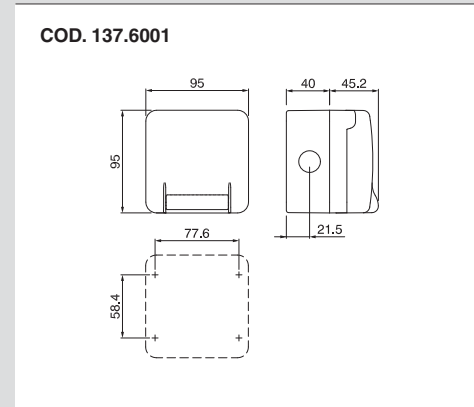
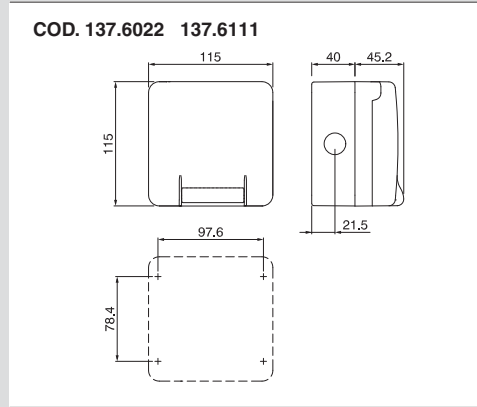
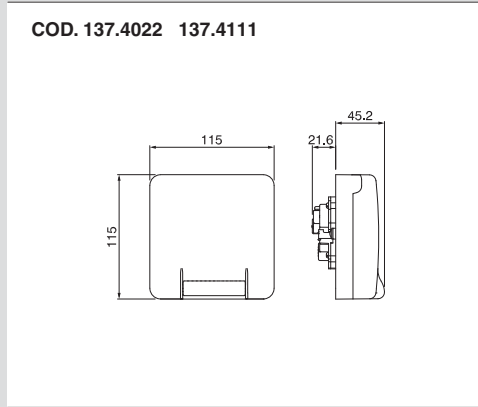
(Dimensions in mm)



DIMENSIONS

CATALOGUE SECTION: 4.6

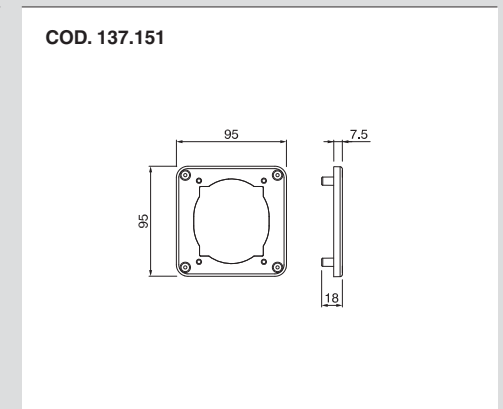
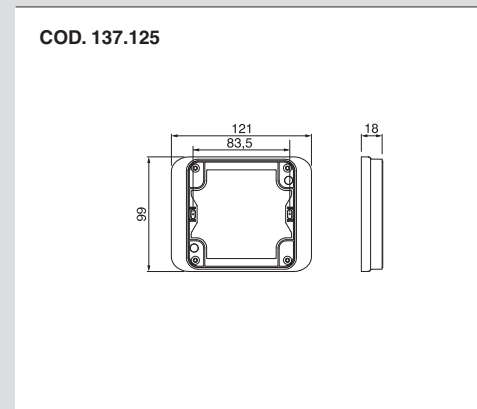
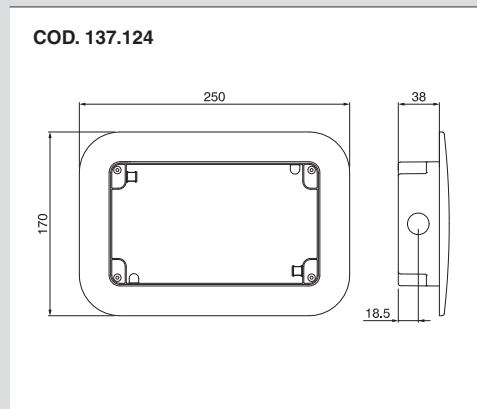
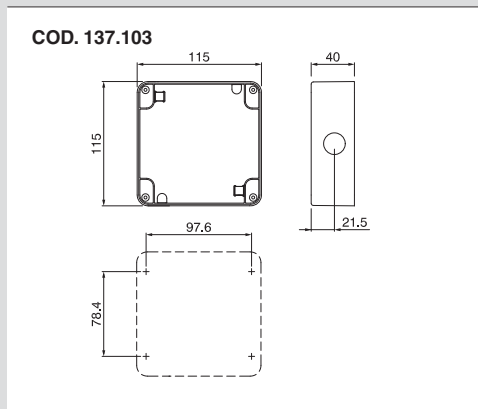
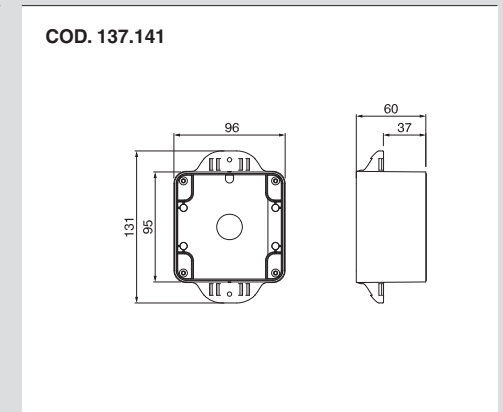
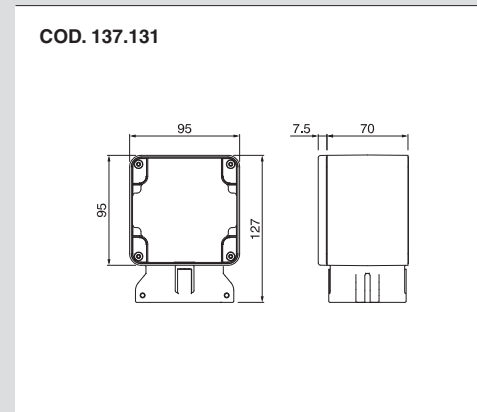
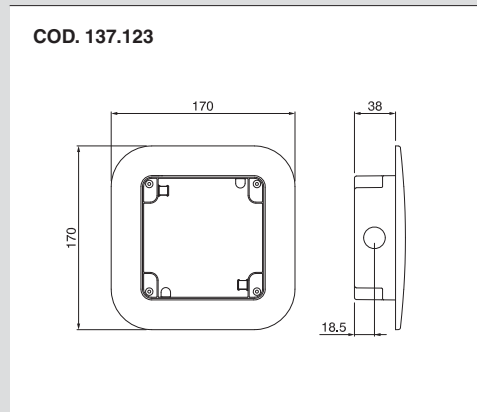
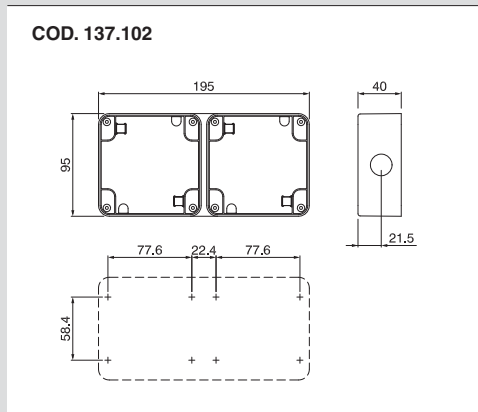
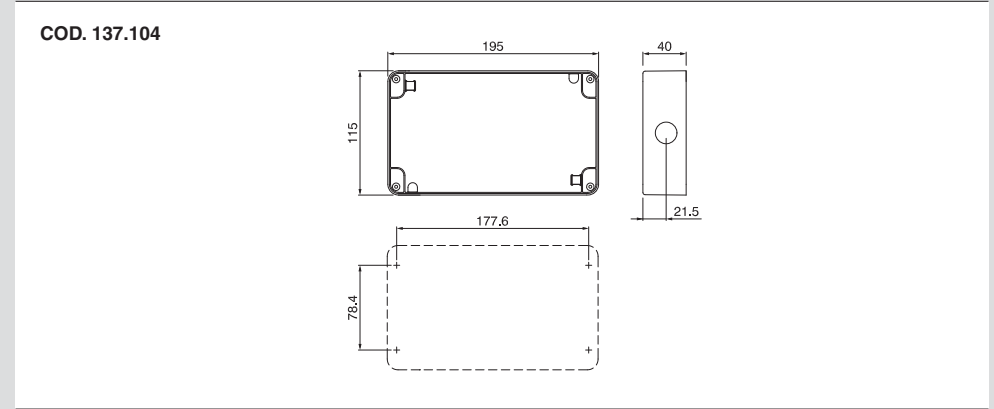
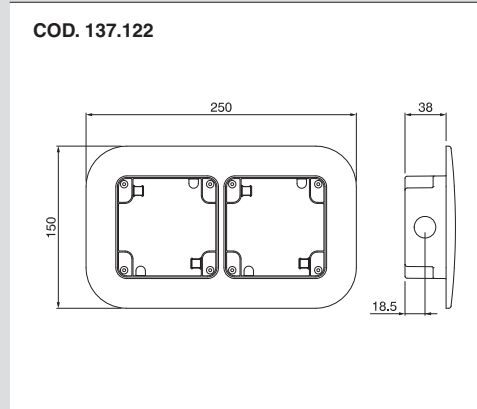
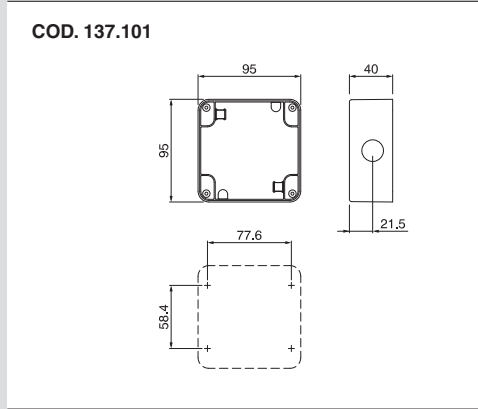
PROTECTA Series



(Dimensions in mm)

(Dimensions in mm)

■ DIMENSIONS



(Dimensions in mm)

(Dimensions in mm)