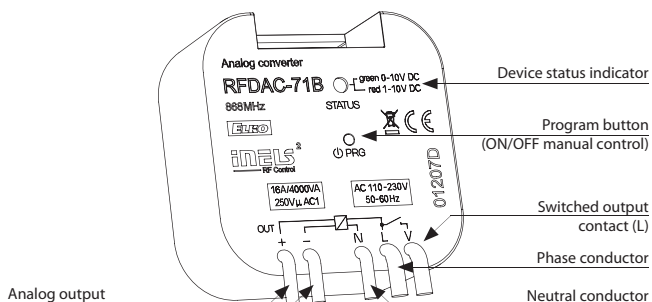




Technical parameters		RFDAC-71B
Supply voltage:	110 - 230 V AC / 50 - 60 Hz	
Apparent input:	3 VA	
Dissipated power:	1.2 W	
Supply voltage tolerance:	+10 / -15 %	
Potential-free analog output / max. current:	0(1)-10 V / 10 mA	
Control		
RF command from the transmitter:	866 MHz, 868 MHz, 916 MHz	
Manual control:	button PROG (ON/OFF)	
Range in free space:	up to 200 m	
Minimum control distance:	20 mm	
Contact relay:	1x AgSnO ₂ , switches the phase conductor	
Rated current:	16 A / AC1	
Switching power:	4000 VA / AC1	
Switching voltage:	250 V AC1	
Mechanical service life:	3x10 ⁷	
Electrical service life:	0.7x10 ⁵	
Indication:	red LED / green LED	
Output selection:	0(1)-10V / PROG button	
Other data		
Operating temperature:	-15 to + 50 °C	
Operating position:	any	
Mounting:	free at lead-in wires	
Protection:	IP30	
Overvoltage category:	III.	
Contamination degree:	2	
Terminals (CY wire, cross-section):	3 x 0.75 mm ² , 2 x 2.5 mm ²	
Length of terminals:	90 mm	
Dimensions:	49 x 49 x 21 mm	
Weight:	52 g	
Related standards:	EN 60669, EN 300 220, EN 301 489 R&TTE Directive, Order. No 426/2000 Coll. (Directive 1999/EC)	

- The analog controller with output 0(1)-10 V is used for:
 - a) dimming fluorescent lamps (using a dimmable ballast).
 - b) dimming LED panels (when using a suitable dimmed source up to 50 units LP-6060-3K/6K).
 - c) Control of thermal actuators (TELVA).
 - d) control of other controllers (e.g. performance dimmers DIM-6).
- They can be combined with detectors, controllers, iNELS RF Control or system components.
- The BOX design lets you mount it right in an installation box, a ceiling or light cover.
- Potential free analog output 10 mA, contact relay 16 A.
- 6 light functions - smooth increase or decrease with time setting 2 s-30 min.
- When switched off, the set level is stored in the memory, and when switched back on, it returns to the most recently set value.
- The analog controller may be controlled by up to 25 channels (1 channel represents 1 button on the controller).
- The programming button on the controller is also used for manual control of the output.
- The unit power supply is in the range 110-230 V AC.
- Memory status can be pre-set in the event of a power failure.
- For components it is possible to set the repeater function via the RFAF / USB service device.
- Range up to 200 m (in open space), if the signal is insufficient between the controller and unit, use the signal repeater RFRP-20 or protocol component RFIO² that support this feature.
- Communication frequency with bidirectional protocol iNELS RF Control² (RFIO²).

Device description

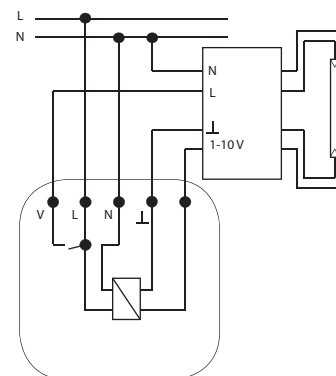


Function

For more information see p. 65.

Connection

Connection example:
dimming of fluorescent tubes
with dimmable ballast



Connection example:
with thermo valve

