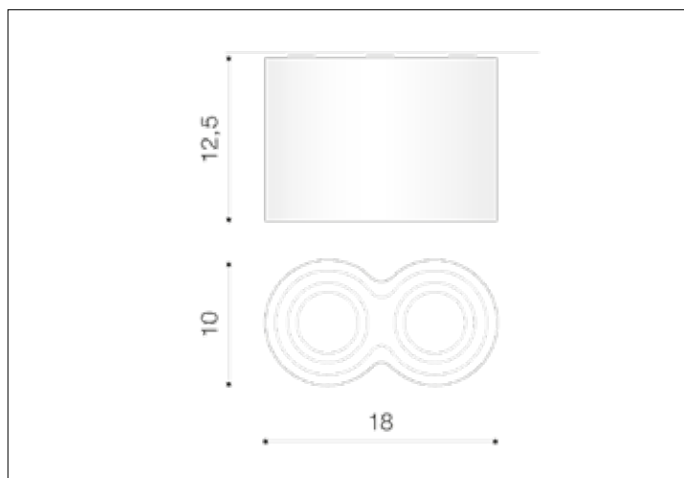


**AZzardo**<sup>®</sup>  
LIGHTING

BROSS 2 WHITE/ALUMINIUM  
AZ0784, EAN 5901238407843



## Dimensions height / width / length [cm] Product Specifications

|                 |                 |
|-----------------|-----------------|
| Product         | 12,5 x 18 x 10  |
| Mounting inlet: | N/A x N/A x N/A |
| Ceiling base:   | N/A x N/A x N/A |
| Shades          | N/A x N/A x N/A |

|                    |                   |
|--------------------|-------------------|
| Line               | TECHNICAL         |
| Type               | Exposed Downlight |
| Type of track      | N/A               |
| Colour             | White / Aluminium |
| Material           | Metal             |
| Light source       | 2                 |
| Type of socket     | GU10              |
| Lumens             | N/A               |
| Kelvins            | N/A               |
| Beam angle         | N/A               |
| Dimmable           | N/A               |
| CCT                | N/A               |
| RGB                | N/A               |
| RA                 | N/A               |
| App remote control | N/A               |
| Remote control     | N/A               |
| Voltage            | 230V              |
| Power              | max LED 50W       |
| Switch location    | N/A               |
| Protection class   | IP20              |
| Tilt               | 45°               |
| Rotation           | 350°              |

## Shipping info height / width / length [cm]

|                   |                  |
|-------------------|------------------|
| BOX 1:            | 14,5 x 10,5 x 20 |
| BOX 2:            | N/A x N/A x N/A  |
| BOX 3:            | N/A x N/A x N/A  |
| Net weight [kg]   | 0,9              |
| Gross weight [kg] | 1                |

## Energy efficiency

N/A

Azzardo Sp. z o.o.  
ul. Strzeszyńska 33 60-479 Poznań,  
NIP: 929-185-75-07

[www.azzardolighting.com](http://www.azzardolighting.com)