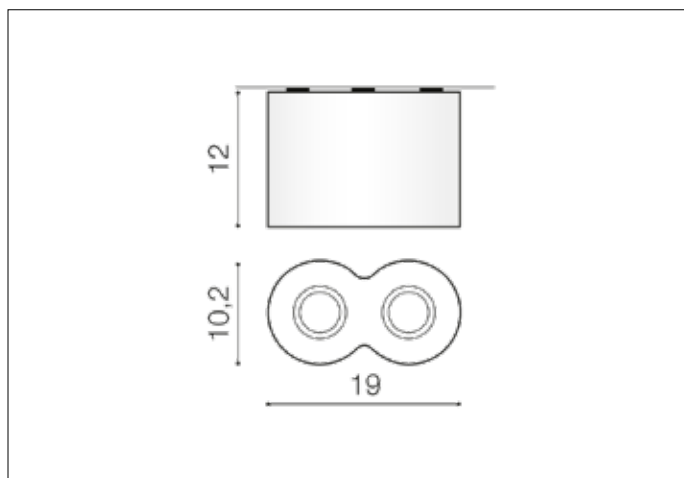


AZzardo[®]
LIGHTING

NEOS 2 BLACK/CHROME
AZ0710, EAN 5901238407102



Dimensions height / width / length [cm] Product Specifications

Product	12 x 19 x 10,2
Mounting inlet:	N/A x N/A x N/A
Ceiling base:	N/A x N/A x N/A
Shades	N/A x N/A x N/A

Line	TECHNICAL
Type	Exposed Downlight
Type of track	N/A
Colour	Black / Chrome
Material	Aluminium
Light source	2
Type of socket	GU10
Lumens	N/A
Kelvins	N/A
Beam angle	N/A
Dimmable	N/A
CCT	N/A
RGB	N/A
RA	N/A
App remote control	N/A
Remote control	N/A
Voltage	230V
Power	max LED 50W
Switch location	N/A
Protection class	IP20
Tilt	N/A
Rotation	N/A

Shipping info height / width / length [cm]

BOX 1:	20 x 13 x 11
BOX 2:	N/A x N/A x N/A
BOX 3:	N/A x N/A x N/A
Net weight [kg]	1,35
Gross weight [kg]	1,4

Energy efficiency



Azzardo Sp. z o.o.
ul. Strzeszyńska 33 60-479 Poznań,
NIP: 929-185-75-07

www.azzardolighting.com